

---

# INSTALLATION INSTRUCTIONS

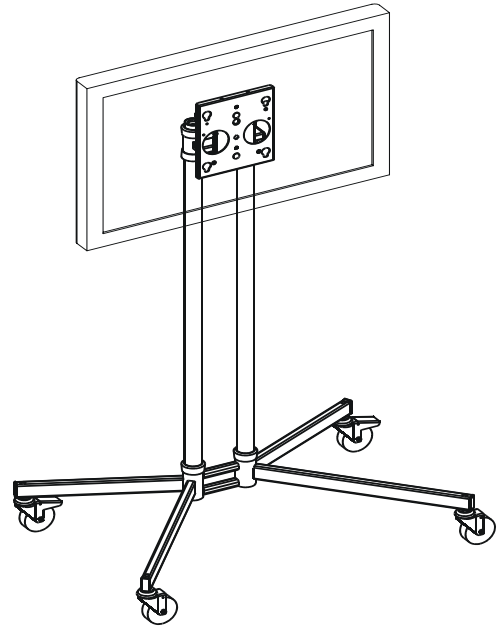
---

## MEDIUM FLAT PANEL CART

### Model: MSP-DCCKIT3

#### Specifications:

- Weight capacity of 150 lbs. (68 kg).
- Provides tilt range from 5° up to 15° down.
- Mounting head can be locked at any height on the posts.



---

#### BEFORE YOU BEGIN

---



**WARNING:** It is the installer's responsibility to make sure all components are properly assembled and installed using the instructions provided. Failure to read, thoroughly understand, and follow all instructions can result in serious personal injury, damage to equipment, or voiding of factory warranty.

- If you have any questions about these instructions or your specific installation, contact Chief Manufacturing at 1-800-582-6480 or 952-894-6280.
- If a defect is discovered after Dell's initial 21-day Customer Satisfaction period, Chief Mfg. will, at its option, repair or replace the product at no charge provided it is returned during the warranty period. Please note the contact information for Chief Mfg. listed below.

**! IMPORTANT WARNINGS AND CAUTIONS!**

**WARNING:** A WARNING alerts you to the possibility of serious injury or death if you do not follow the instructions.

**CAUTION:** A CAUTION alerts you to the possibility of damage or destruction of equipment if you do not follow the corresponding instructions.

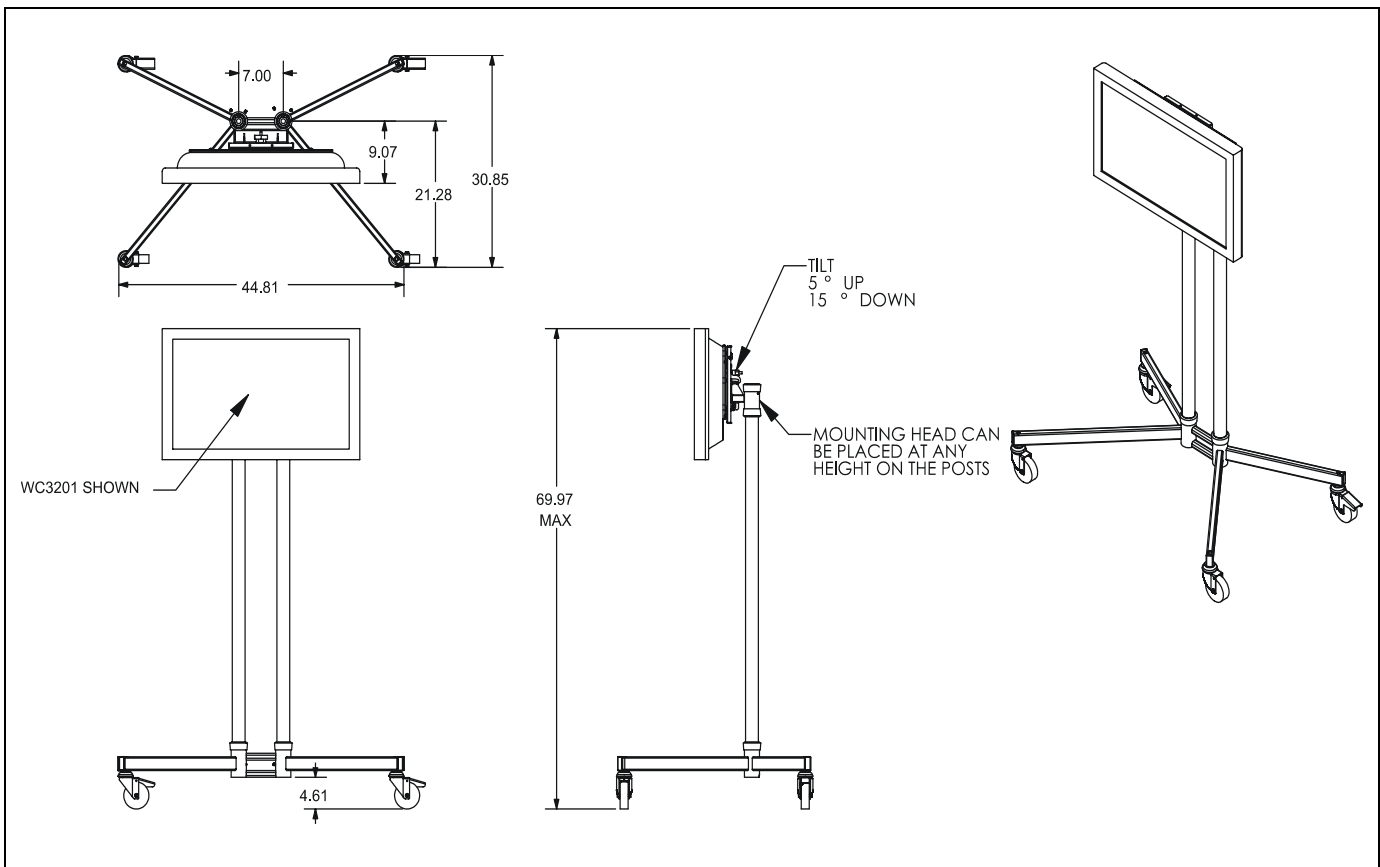
**! WARNING:** It is the installer’s responsibility to make sure the structure to which this unit is attached can support five times the combined weight of all equipment. Reinforce the structure as required before installing the unit. Failure to provide adequate structural strength for this unit can result in serious personal injury or damage to equipment!

**! WARNING:** It is the installer’s responsibility to make sure the combined weight of the display, mount, accessories, and any other attached equipment must not exceed 150 lbs (68 kg), the maximum support weight of this unit. Exceeding the maximum support weight can result in serious personal injury or damage to equipment!

**! WARNING:** Make sure the latch securing the display is fully closed at all times except when removing or installing the display. The latch must be fully closed when installing or removing cables from the display.

**! WARNING:** Watch for pinch points. Do not put your fingers between movable parts.

**DIMENSIONS**



**TOOLS REQUIRED FOR INSTALLATION**

- 5/32" Hex Key (provided)

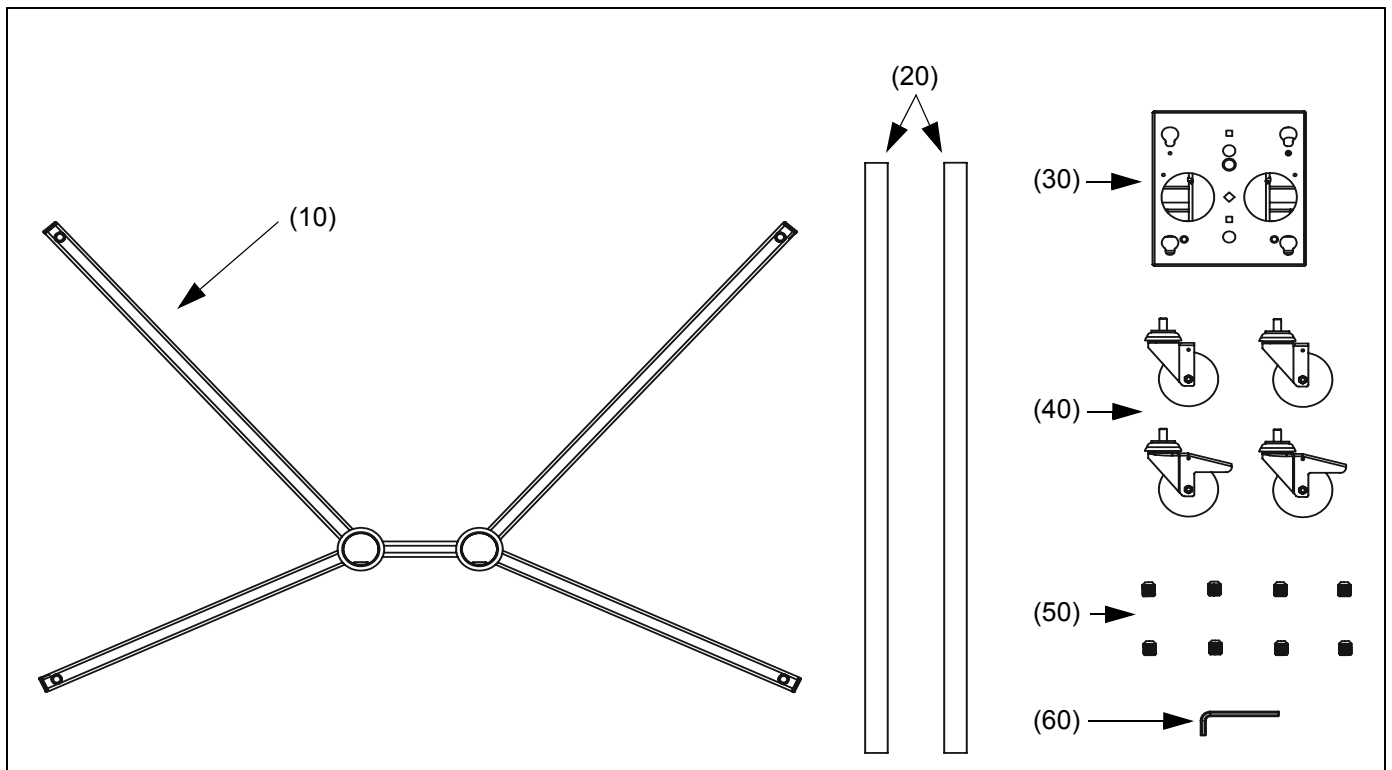
**NOTE:** Other tools may be required depending on your method of installation.

**PARTS**

After unpacking carton, inspect and verify contents (See Figure 1). If any listed parts are missing or damaged, contact Chief Customer Service at 1-800-582-6480.

**Table 1: Parts**

Item	Description	Qty
10	BASE	1
20	POST, Chrome, P57	2
30	HEAD, Display Mounting	1
40	CASTER, Set (includes 2 locking, 2 non-locking)	1
50	SCREW, Set, 5/16" x 3/8"	8
60	KEY, Hex, 5/32"	1
---	DISPLAY MOUNTING BRACKET, MSP-DCCLMCSMSB	1



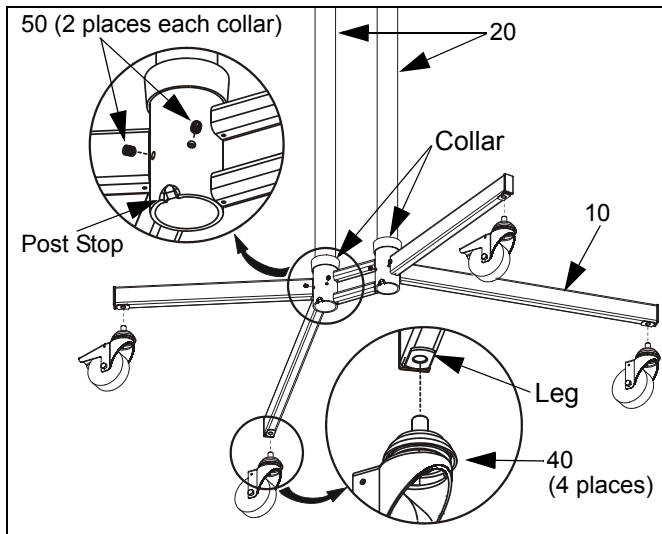
**Figure 1: Parts**

## ASSEMBLY AND INSTALLATION

### ASSEMBLE CART

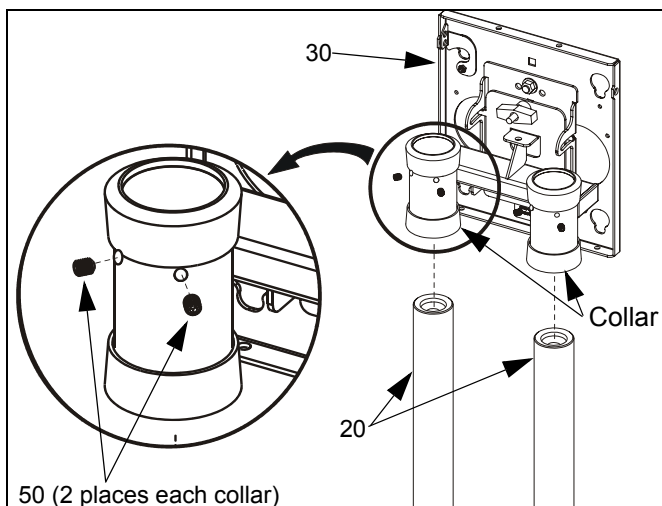
1. Thread caster (40) into each leg of base (10) by hand until tight (See Figure 2).

**NOTE:** The two locking casters may be inserted into any of the four legs.



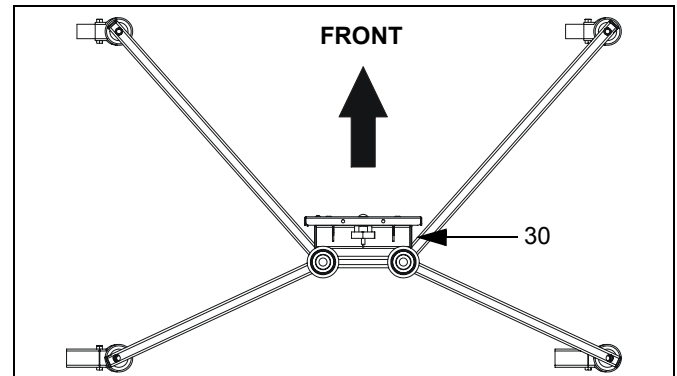
**Figure 2: Install Casters and Posts**

2. Install post (20) into collar in base (10) until post (20) is bottomed against stop (See Figure 2).
3. Repeat step 2. for second post.
4. Using key (60), install two screws (50) into *each* collar in base (10) (See Figure 2). Tighten all four screws (50) securely.
5. Using key (60), install two screws (50) several turns into *each* collar in head (30) (See Figure 3).



**Figure 3: Install Head**

6. Slide head (30) over top of posts (20). Ensure front face of head (30) faces front of base (10) (See Figure 4).



**Figure 4: Orientation of Head**

7. When at desired height, securely tighten all four screws (50) in head (30). When at highest position ensure posts (20) protrude slightly from top of collars in head (30).

### INSTALL DISPLAY MOUNTING BRACKET

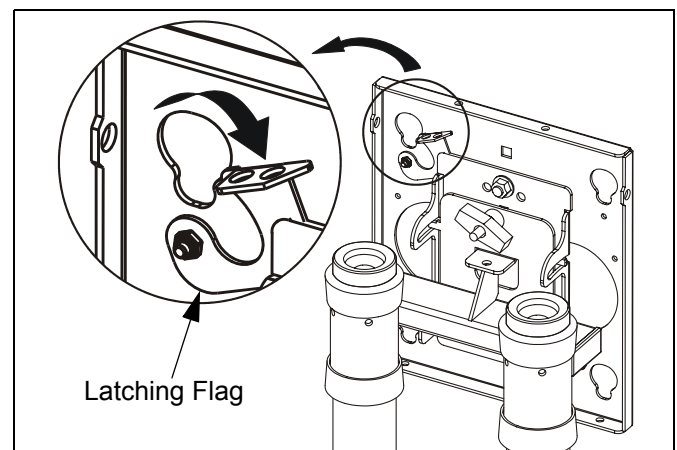
1. Install per instructions that are packaged with the MSP-DCCLMCSMSB display mounting bracket.

### INSTALL DISPLAY TO MOUNT



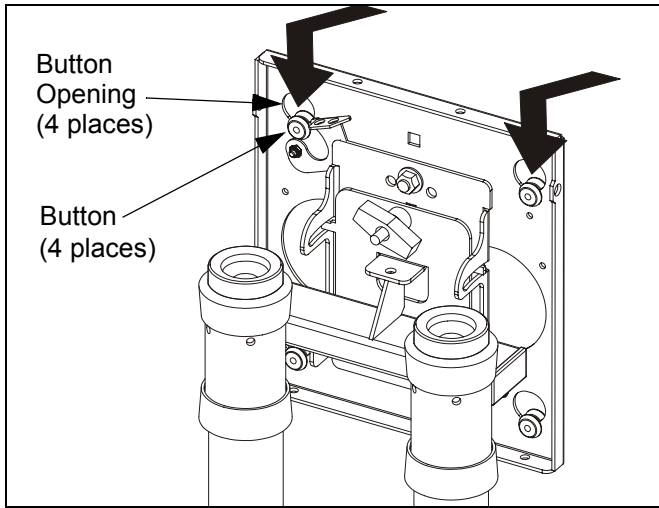
**WARNING:** Display is very heavy! Ensure display can be safely lifted and maneuvered as required to install on mount. Failure to take adequate precautions can result in serious personal injury or damage to equipment!

1. Open latching flag by rotating flag clockwise (as viewed from back of mount) (See Figure 5).



**Figure 5: Open Latching Flag**

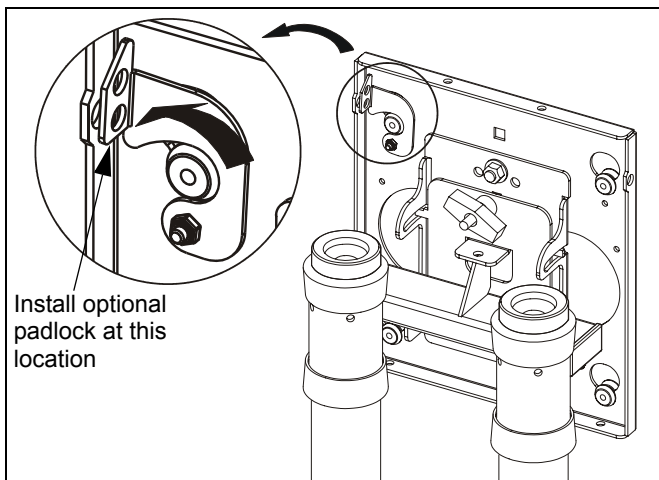
- Lift and maneuver display such that all buttons fit into upper portion of button openings. Lower display firmly into place. Ensure each button has fully seated in its button opening (See Figure 6).



**Figure 6: Install Display to Head**

- Close latching flag by rotating flag counterclockwise (See Figure 7).

**NOTE:** An optional padlock may be used to secure latching flag.



**Figure 7: Close Latching Flag**

- Connect cables to display as required.

**REMOVE DISPLAY FROM MOUNT**

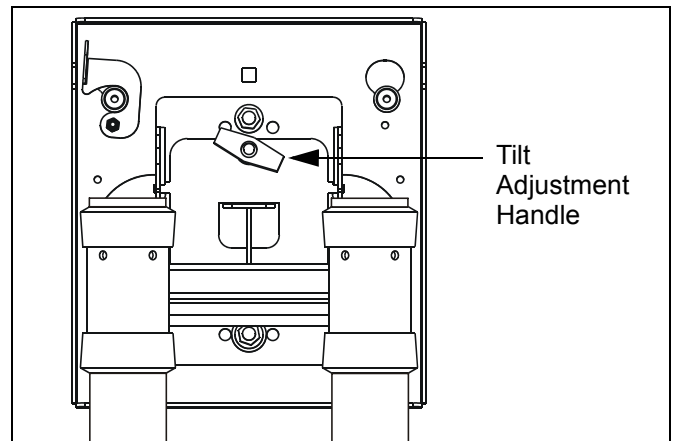


**WARNING:** Display is very heavy! Ensure display can be safely lifted and maneuvered as required to install on mount. Failure to take adequate precautions can result in serious personal injury or damage to equipment!

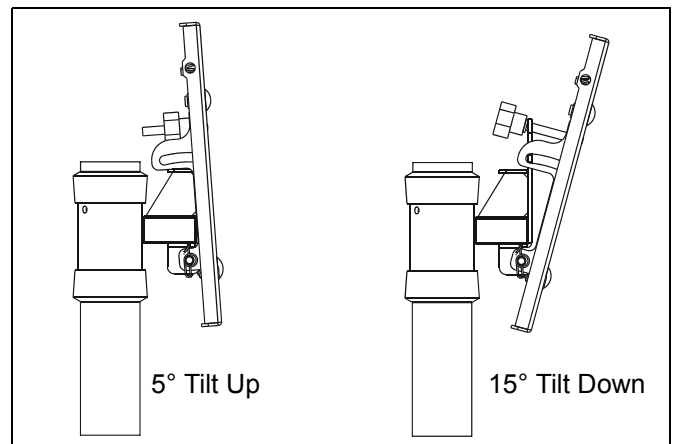
- Disconnect all cables from display.
- Open latching flag by rotating flag clockwise (See Figure 5).
- Lift and maneuver display mounting buttons out of button openings.

**ADJUST TILT OF MOUNT**

- Turn tilt adjustment handle clockwise (as viewed from back of mount) to decrease tilt, or counterclockwise to increase tilt (See Figure 8)(See Figure 9).



**Figure 8: Location of Tilt Adjustment Handle**



**Figure 9: Tilt Adjustment**

