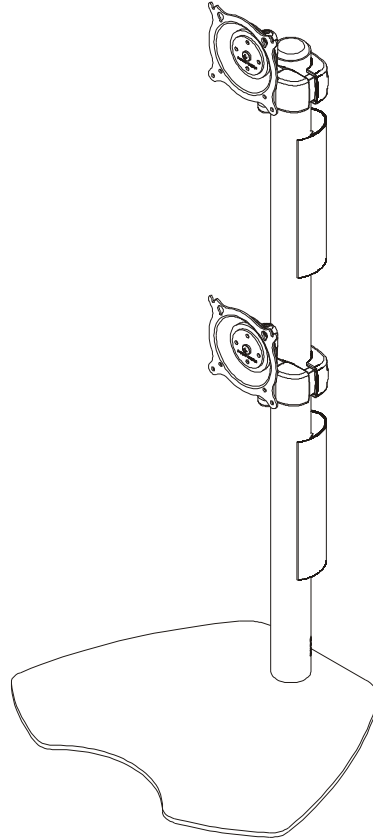


---

# INSTALLATION INSTRUCTIONS

---



---

## Horizontal Table Stands

---

## DISCLAIMER

Milestone AV Technologies and its affiliated corporations and subsidiaries (collectively "Milestone"), intend to make this manual accurate and complete. However, Milestone makes no claim that the information contained herein covers all details, conditions or variations, nor does it provide for every possible contingency in connection with the installation or use of this product. The information contained in this document is subject to change without notice or obligation of any kind. Milestone makes no representation of warranty, expressed or implied, regarding the information contained herein. Milestone assumes no responsibility for accuracy, completeness or sufficiency of the information contained in this document.

Chief® and Centris™ are registered trademarks of Milestone AV Technologies. All rights reserved.

## DEFINITIONS

**MOUNTING SYSTEM:** A MOUNTING SYSTEM is the primary Chief product to which an accessory and/or component is attached.

**ACCESSORY:** AN ACCESSORY is the secondary Chief product which is attached to a primary Chief product, and may have a component attached or setting on it.

**COMPONENT:** A COMPONENT is an audiovisual item designed to be attached or resting on an accessory or mounting system such as a video camera, CPU, screen, display, projector, etc.



**WARNING:** A WARNING alerts you to the possibility of serious injury or death if you do not follow the instructions.



**CAUTION:** A CAUTION alerts you to the possibility of damage or destruction of equipment if you do not follow the corresponding instructions.



## IMPORTANT SAFETY INSTRUCTIONS



**WARNING:** Failure to read, thoroughly understand, and follow all instructions can result in serious personal injury, damage to equipment, or voiding of factory warranty! It is the installer's responsibility to make sure all mounting systems / accessories are properly assembled and installed using the instructions provided.



**WARNING:** Failure to provide adequate structural strength for this mounting system can result in serious personal injury or damage to equipment! It is the installer's responsibility to make sure the structure to which this mounting system is attached can support five times the combined weight of all equipment. Reinforce the structure as required before installing the mounting system.



**WARNING:** Exceeding the weight capacity can result in serious personal injury or damage to equipment! It is the installer's responsibility to make sure the combined weight of all components attached to the MSP-DCCKTP230 does not exceed 35 lbs (15.87 kg) per display or 70 lbs (31.75 kg) total.



**WARNING:** Use this mounting system only for its intended use as described in these instructions. Do not use attachments not recommended by the manufacturer.



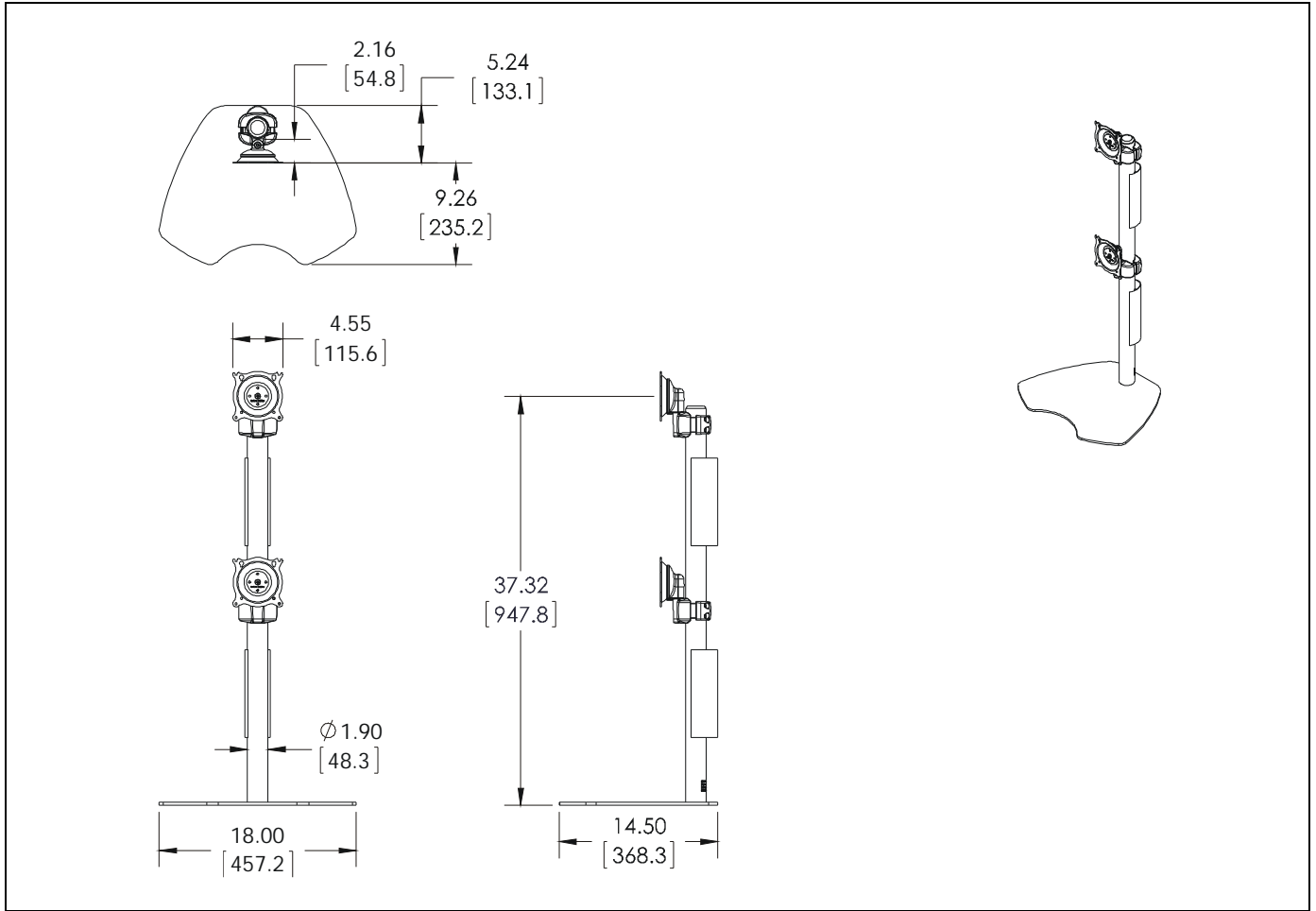
**WARNING:** Never operate this mounting system if it is damaged. Return the mounting system to a service center for examination and repair.





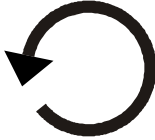









**WARNING:** Do not use this mounting system outdoors.

**--SAVE THESE INSTRUCTIONS--**

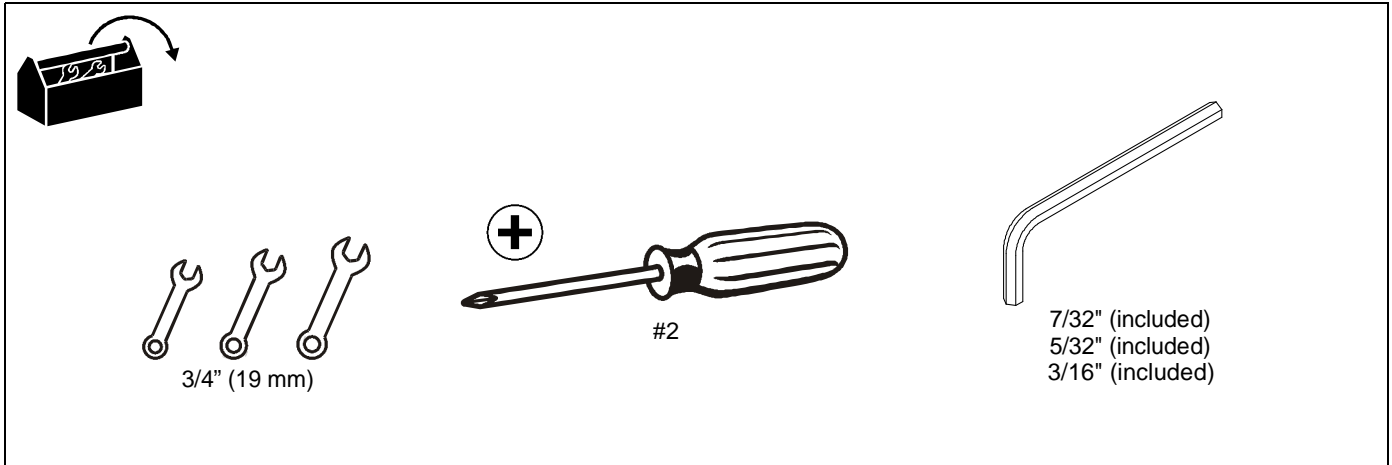
**DIMENSIONS**



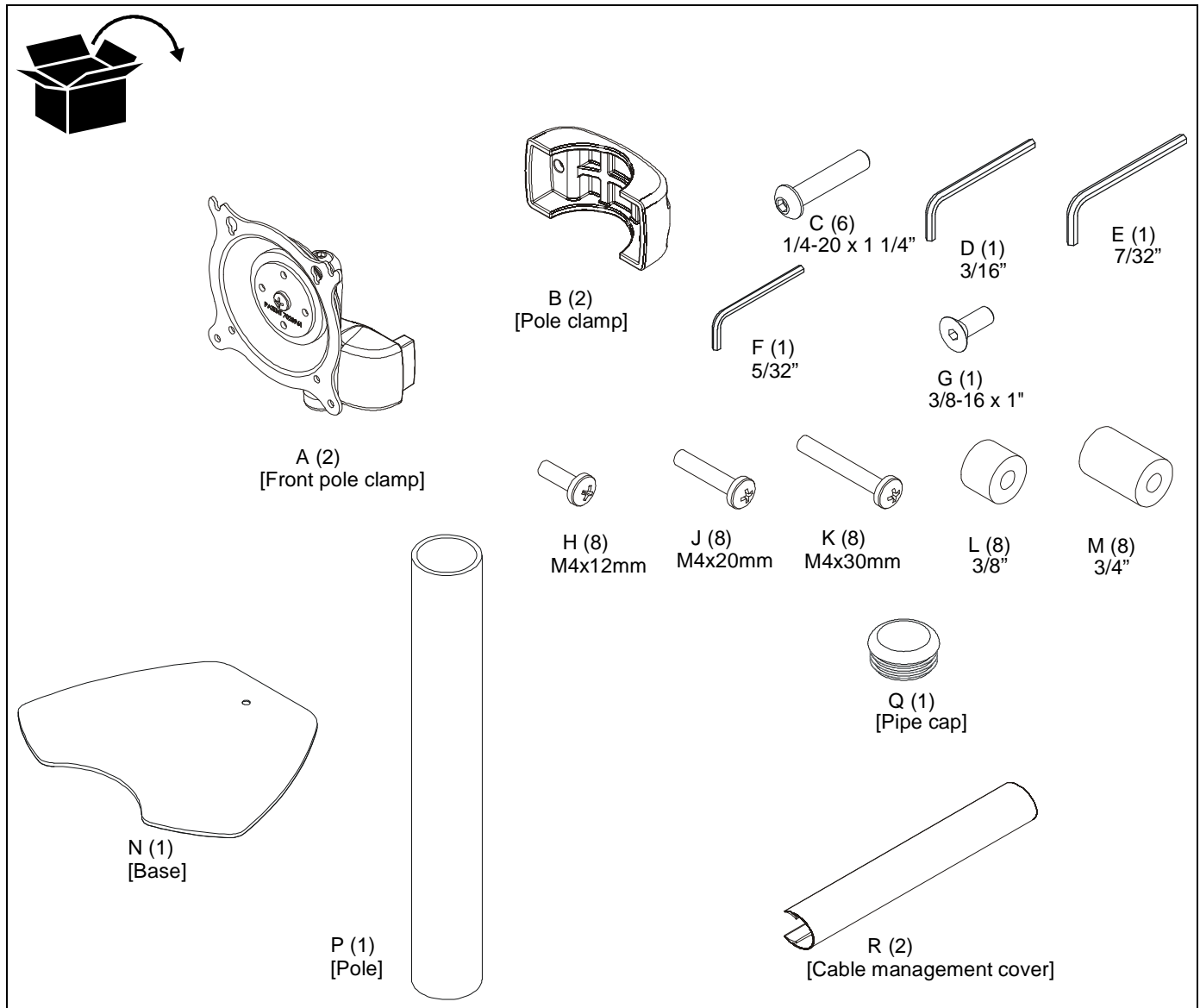
## LEGEND

	<b>Tighten Fastener</b> Apretar elemento de fijación Befestigungsteil festziehen Apertar fixador Serrare il fissaggio Bevestiging vastdraaien Serrez les fixations		<b>Pencil Mark</b> Marcar con lápiz Stiftmarkierung Marcar com lápis Segno a matita Potloodmerkteken Marquage au crayon
	<b>Loosen Fastener</b> Aflojar elemento de fijación Befestigungsteil lösen Desapertar fixador Allentare il fissaggio Bevestiging losdraaien Desserrez les fixations		<b>Drill Hole</b> Perforar Bohrloch Fazer furo Praticare un foro Gat boren Percez un trou
	<b>Phillips Screwdriver</b> Destornillador Phillips Kreuzschlitzschraubendreher Chave de fendas Phillips Cacciavite a stella Kruiskopschroevendraaier Tournevis à pointe cruciforme		<b>Adjust</b> Ajustar Einstellen Ajustar Regolare Afstellen Ajuster
	<b>Open-Ended Wrench</b> Llave de boca Gabelschlüssel Chave de bocas Chiave a punte aperte Steeksleutel Clé à fourche		<b>Remove</b> Quitar Entfernen Remover Rimuovere Verwijderen Retirez
	<b>By Hand</b> A mano Von Hand Com a mão A mano Met de hand À la main		<b>Optional</b> Opcional Optional Opcional Opzionale Optie En option
	<b>Hex-Head Wrench</b> Llave de cabeza hexagonal Sechskantschlüssel Chave de cabeça sextavada Chiave esagonale Zeskantsleutel Clé à tête hexagonale		<b>Security Wrench</b> Llave de seguridad Sicherheitsschlüssel Chave de segurança Chiave di sicurezza Veiligheidsleutel Clé de sécurité

**TOOLS REQUIRED FOR INSTALLATION**



**PARTS**



## Assembly And Installation

### To assemble array to pole

1. Assemble pole (P) to base (N) using one 3/8-16 x 1" flat head cap screw (G). (See Figure 1)

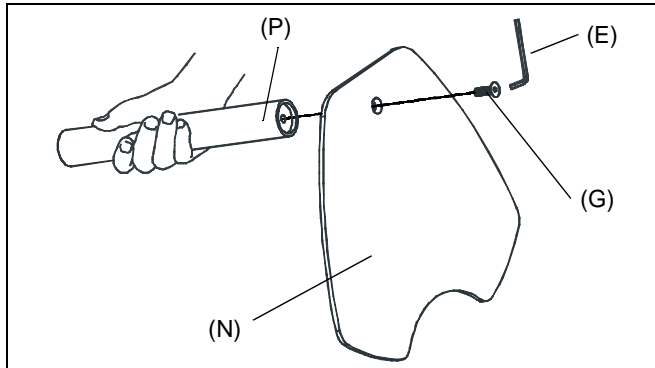


Figure 1

2. Place front pole clamps with Centris head (A) against pole (P) in approximate mounting location. (See Figure 2)
3. Place three 1/4-20 x 1 1/4" button head cap screws (C) into each rear pole clamp (C) and place against pole aligning with each front pole clamp (B). (See Figure 2)

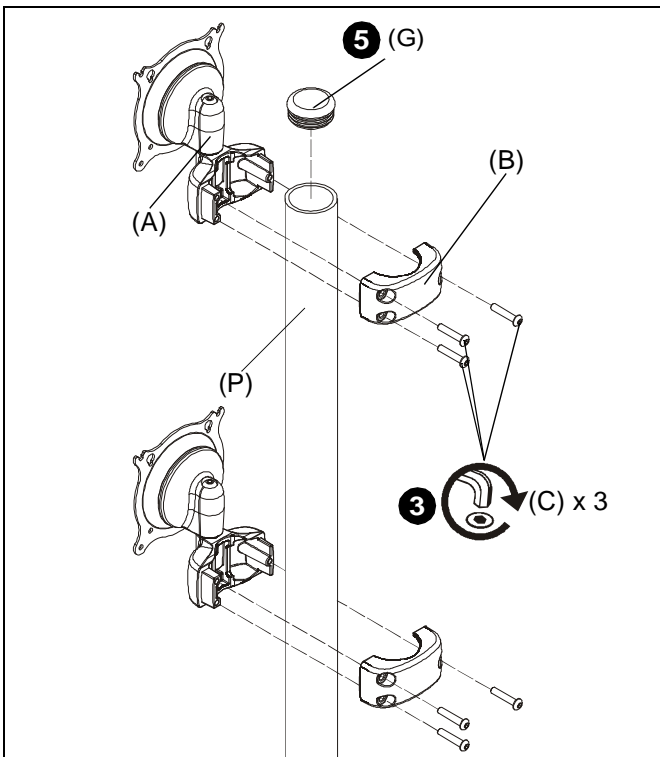


Figure 2

**NOTE:** Equally tighten screws (D) against front pole mount (A) and rear (B) pole clamps. (See Figure 3)

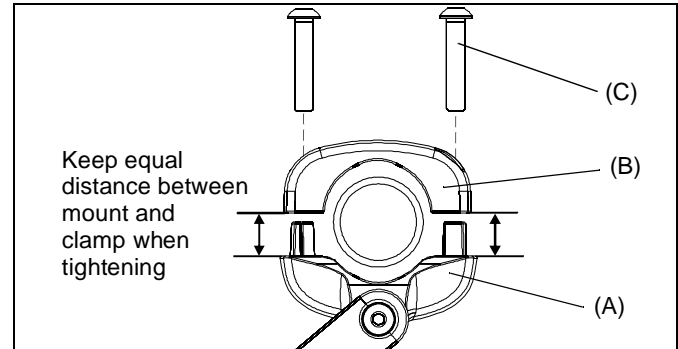


Figure 3

4. Secure rear pole clamps (B) to front pole mounts (A) and pole by tightening six button head cap screws (C) using 5/32" hex key (F). (See Figure 2)
5. Add pipe cap (Q) to top of pole. (See Figure 2)

### Display Installation



**WARNING:** Exceeding the weight capacity can result in serious personal injury or damage to equipment! It is the installer's responsibility to make sure the combined weight of all components attached to the MSP-DCCKTP230 does not exceed 35 lbs (15.87 kg) per display or 70 lbs (31.75 kg) total.



**CAUTION:** Using screws of improper size may damage your display! Proper screws will easily thread into display mounting holes.

**NOTE:** Supplied screws (H, J and K) may not fit properly for all displays. See display's operating instructions for details.

### Flush Mounting Holes

1. Position faceplate in desired mounting position. Adjust as required before proceeding. See **Height Adjustment** section for details.
2. Using Phillips screwdriver, carefully install two M4 x 12mm Phillips pan machine screws (H) into the *upper* mounting holes on the display. Thread screws completely into display, then back out 3 complete turns. (See Figure 4)

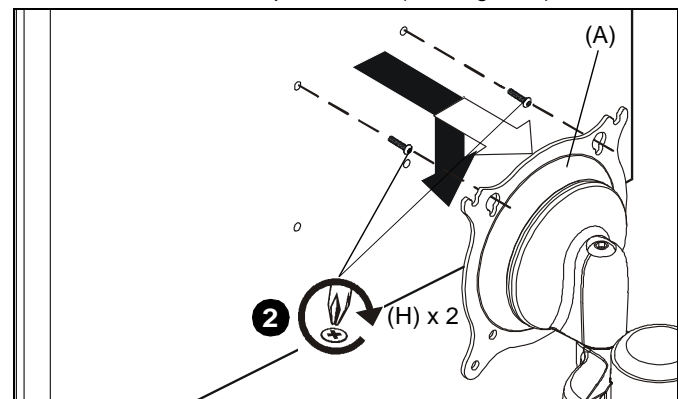


Figure 4

3. Pick up and align display so that screws (H) (installed on the back of the display in the previous step) fit into the mounting holes on the faceplate. Lower the display firmly into place. (See Figure 4)
4. Using Phillips screwdriver, install two M4x12 mm Phillips pan machine screws (H) through the *lower* mounting holes on faceplate into the display. (See Figure 5)

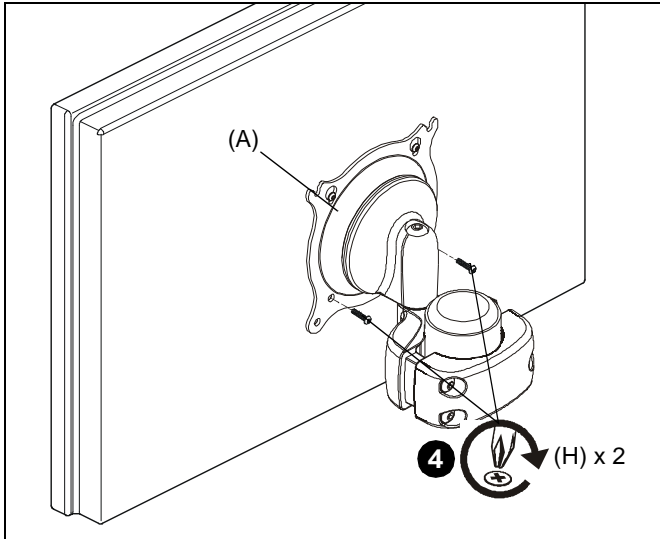


Figure 5

4. Pick up and align display so that screws (J or K) (installed on the back of the display in the previous step) fit into the mounting holes on the faceplate. Lower the display firmly into place. (See Figure 6)

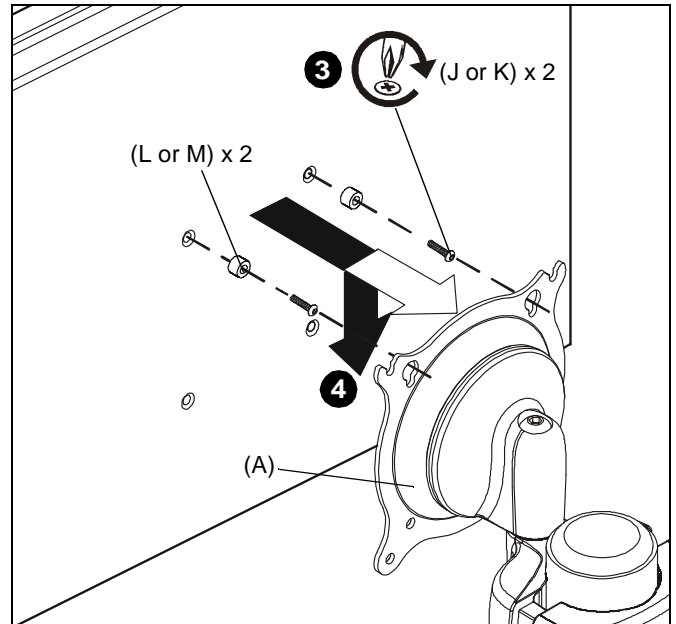


Figure 6

5. Tighten all four screws (H). Do not over tighten!  
**NOTE:** If roll adjustment is desired for center faceplate, do not tighten screws.
6. Repeat Steps 1-5 for other display.
7. Proceed to **Cable Management** section.

**Recessed Mounting Holes**

**NOTE:** If faceplate does not fit into recessed area of display, proceed with the steps in this section.

1. Determine depth of recessed mounting holes relative to back surface of display (against which faceplate will contact).
2. Select proper length spacer and screw from table below:

**NOTE:** All spacers used should be the same length. If the recess depths result in multiple spacer lengths, then select the longer spacer.

IF recess DEPTH is:	THEN use spacer:	AND screw:
3/8" or less	L (3/8" long)	J (M4 x 20mm)
More than 3/8" up to and including 3/4"	M (3/4" long)	K (M4 x 30mm)



**CAUTION:** Using screws of improper size may damage your display! Proper screws will easily and completely thread into display mounting holes.

3. Using Phillips screwdriver, carefully install two selected screws (J or K) through selected spacers (L or M) into the *upper* mounting holes on the display. Thread screws completely into display, then back out 3 complete turns. (See Figure 6)

5. Slide two remaining selected spacers (L or M) in between faceplate and display, positioning them over the *lower* two mounting holes. (See Figure 7)
6. Install two remaining selected screws (J or K) through *lower* two mounting holes on faceplate, selected spacers (L or M) into the *lower* mounting holes on the display. (See Figure 7)

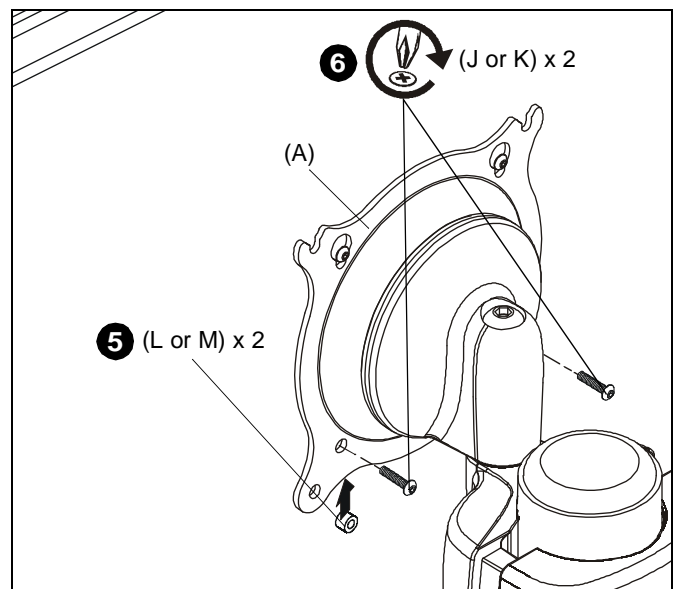


Figure 7

7. Tighten all four screws. Do not overtighten!

## CABLE MANAGEMENT

The MSP-DCCKTP230 mount includes cable management features used to properly route and secure display cables.

To use the cable management features:

1. Connect cables to display.
2. Route cables down pole and away from mount and secure to pole using cable management covers (R). (See Figure 8)

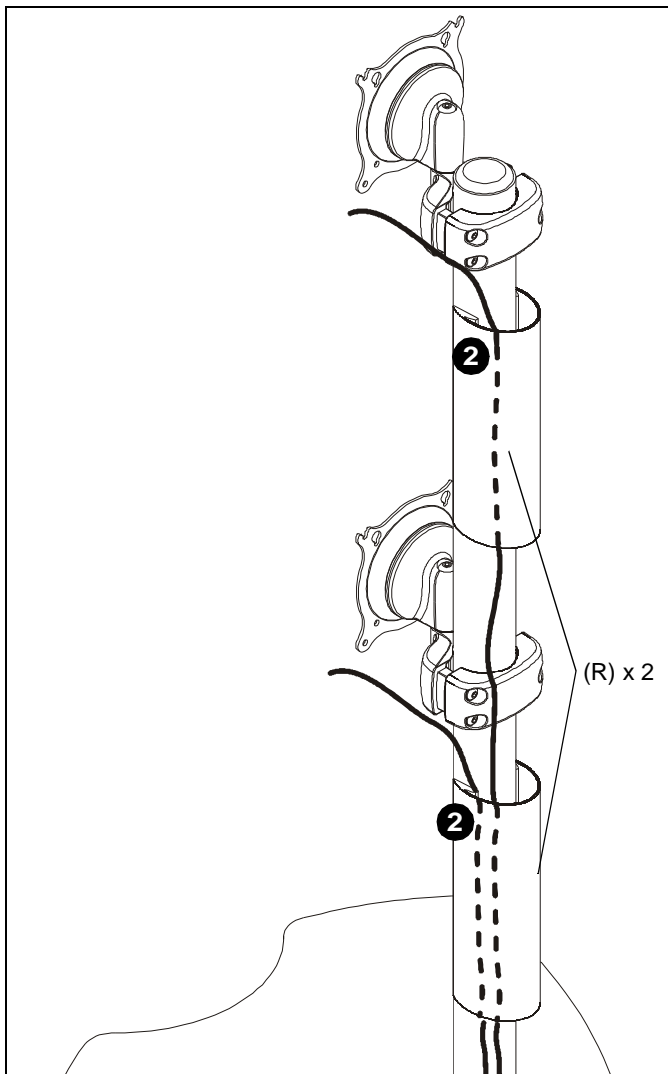


Figure 8









Our Mounts. **Your Vision.**

Chief, a products division of  
Milestone AV Technologies

8800-002834 Rev00  
©2016 Milestone AV Technologies  
[www.milestone.com](http://www.milestone.com)  
04/16

<b>USA/International</b>	<b>A</b> 6436 City West Parkway, Eden Prairie, MN 55344 <b>P</b> 800.582.6480 / 952.225.6000 <b>F</b> 877.894.6918 / 952.894.6918
<b>Europe</b>	<b>A</b> Franklinstraat 14, 6003 DK Weert, Netherlands <b>P</b> +31 (0) 495 580 852 <b>F</b> +31 (0) 495 580 845
<b>Asia Pacific</b>	<b>A</b> Office No. 918 on 9/F, Shatin Galleria 18-24 Shan Mei Street Fotan, Shatin, Hong Kong <b>P</b> 852 2145 4099 <b>F</b> 852 2145 4477



