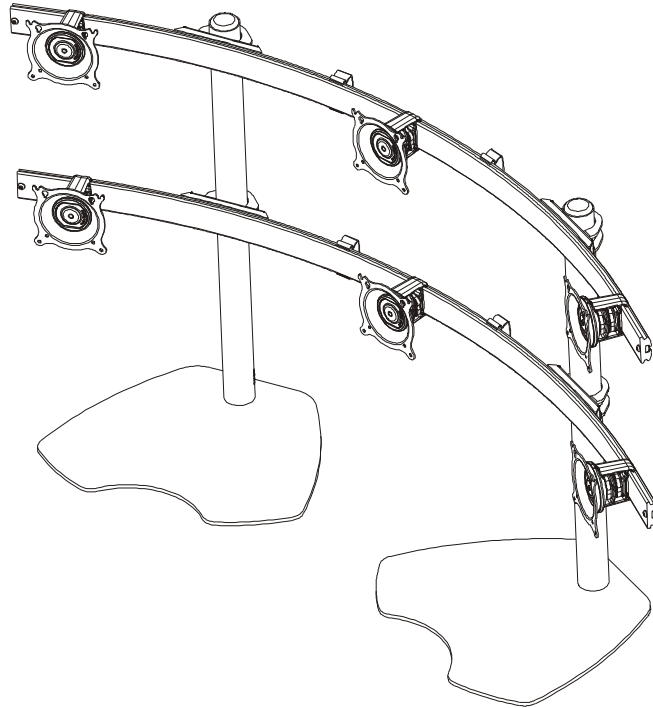


---

# INSTALLATION INSTRUCTIONS

---



---

## Horizontal Table Stands

---

## DISCLAIMER

Milestone AV Technologies and its affiliated corporations and subsidiaries (collectively "Milestone"), intend to make this manual accurate and complete. However, Milestone makes no claim that the information contained herein covers all details, conditions or variations, nor does it provide for every possible contingency in connection with the installation or use of this product. The information contained in this document is subject to change without notice or obligation of any kind. Milestone makes no representation of warranty, expressed or implied, regarding the information contained herein. Milestone assumes no responsibility for accuracy, completeness or sufficiency of the information contained in this document.

Chief® and Centris™ are registered trademarks of Milestone AV Technologies. All rights reserved.

## DEFINITIONS

**MOUNTING SYSTEM:** A MOUNTING SYSTEM is the primary Chief product to which an accessory and/or component is attached.

**ACCESSORY:** AN ACCESSORY is the secondary Chief product which is attached to a primary Chief product, and may have a component attached or setting on it.

**COMPONENT:** A COMPONENT is an audiovisual item designed to be attached or resting on an accessory or mounting system such as a video camera, CPU, screen, display, projector, etc.



**WARNING:** A WARNING alerts you to the possibility of serious injury or death if you do not follow the instructions.



**CAUTION:** A CAUTION alerts you to the possibility of damage or destruction of equipment if you do not follow the corresponding instructions.



## IMPORTANT SAFETY INSTRUCTIONS



**WARNING:** Failure to read, thoroughly understand, and follow all instructions can result in serious personal injury, damage to equipment, or voiding of factory warranty! It is the installer's responsibility to make sure all mounting systems / accessories are properly assembled and installed using the instructions provided.



**WARNING:** Failure to provide adequate structural strength for this mounting system can result in serious personal injury or damage to equipment! It is the installer's responsibility to make sure the structure to which this mounting system is attached can support five times the combined weight of all equipment. Reinforce the structure as required before installing the mounting system.



**WARNING:** Exceeding the weight capacity can result in serious personal injury or damage to equipment! It is the installer's responsibility to make sure the combined weight of all components attached to the MSP-DCCKTP625 does not exceed 15 lbs (6.8 kg) per display or 90 lbs (40.8 kg) total.



**WARNING:** Use this mounting system only for its intended use as described in these instructions. Do not use attachments not recommended by the manufacturer.



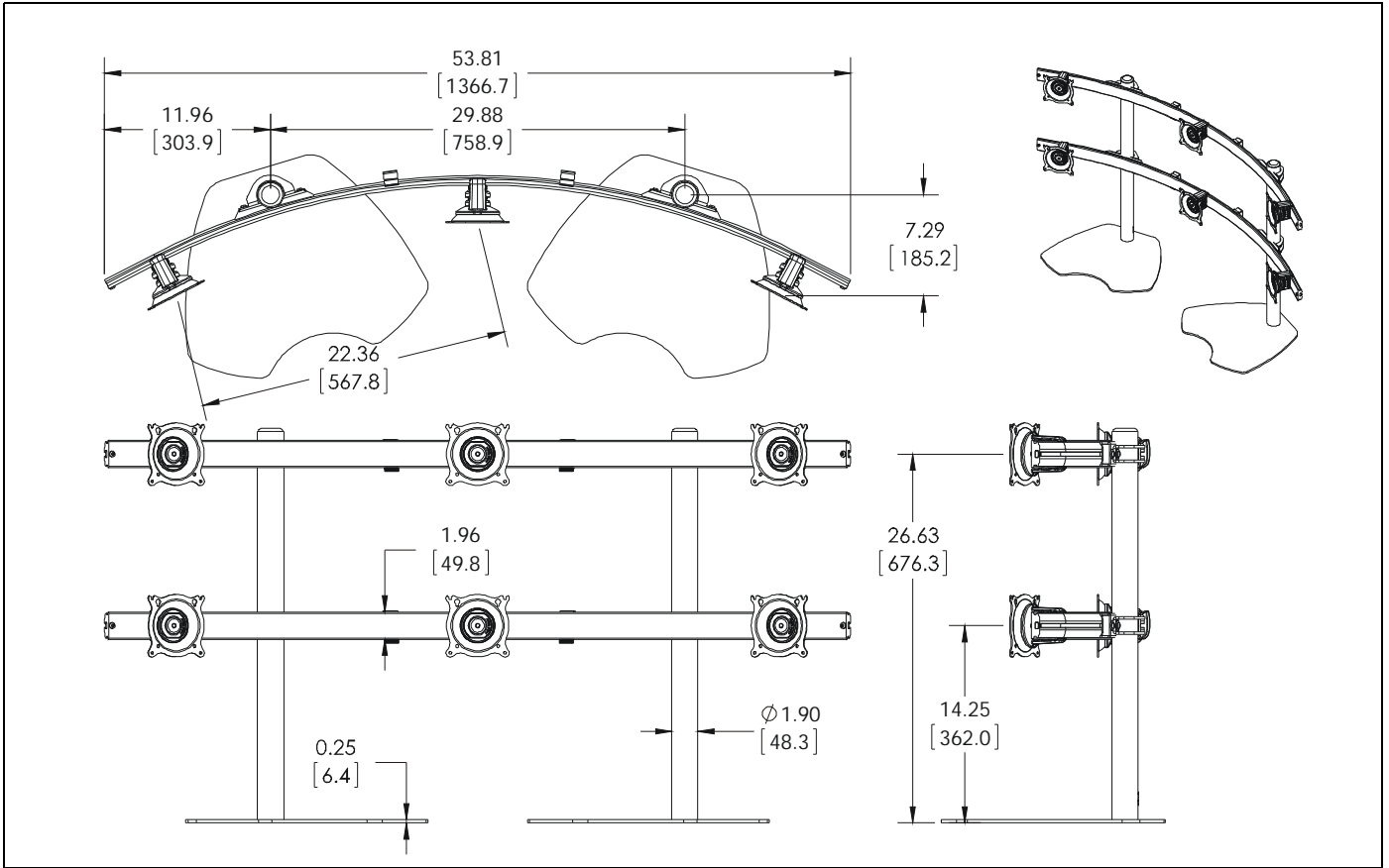
**WARNING:** Never operate this mounting system if it is damaged. Return the mounting system to a service center for examination and repair.





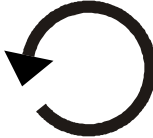









**WARNING:** Do not use this mounting system outdoors.

**--SAVE THESE INSTRUCTIONS--**

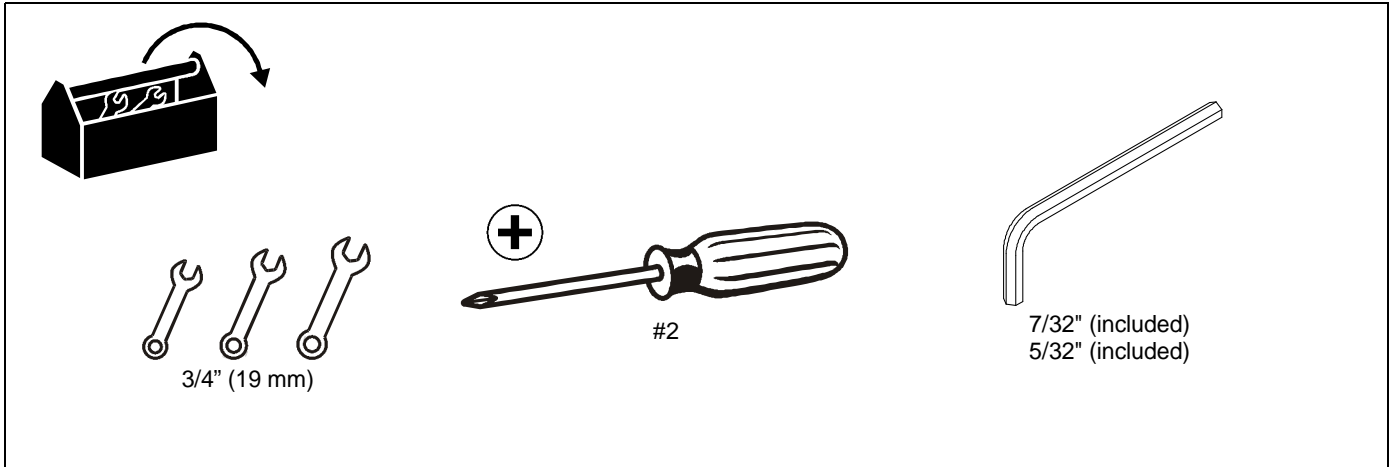
**DIMENSIONS**



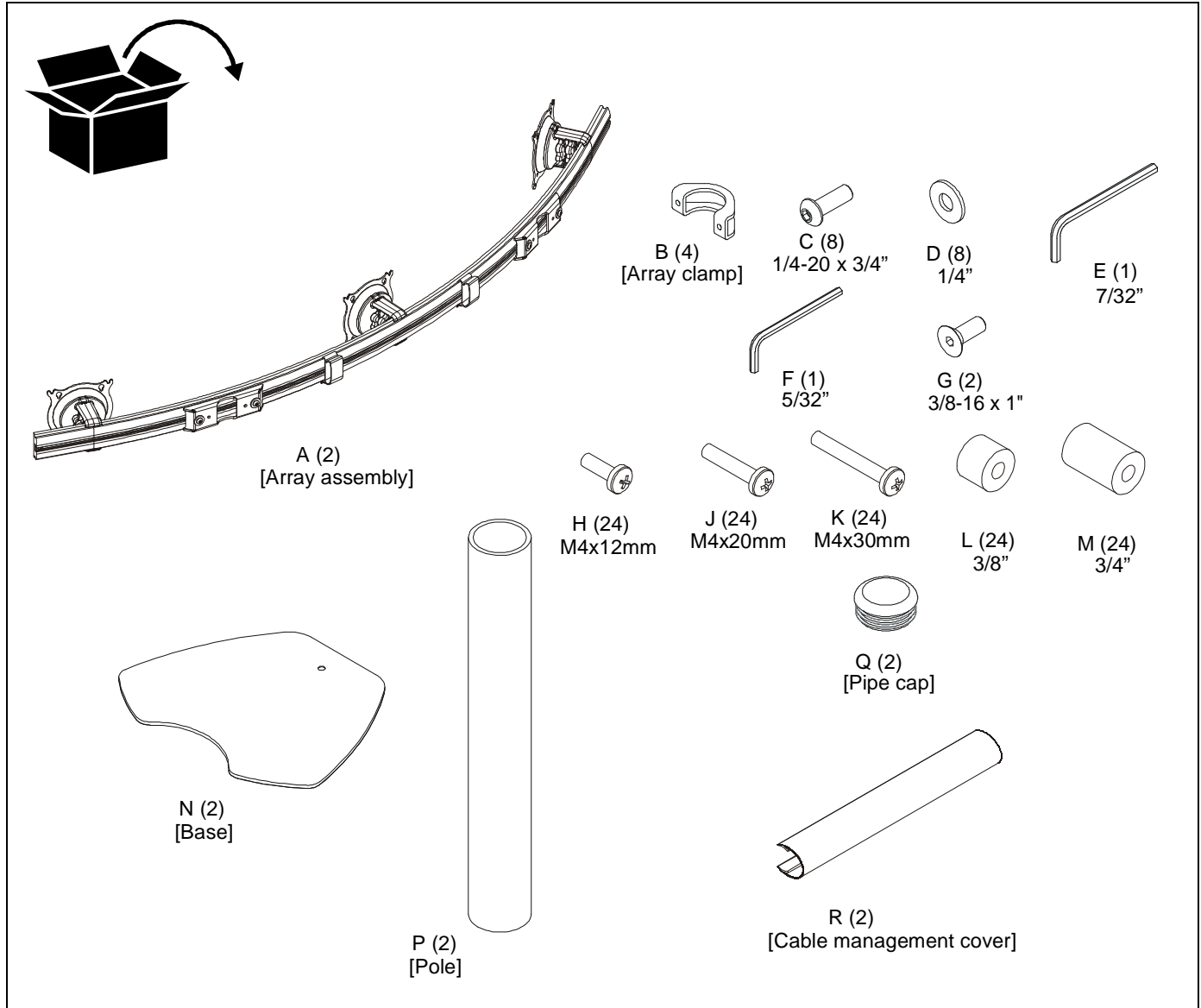
## LEGEND

	<b>Tighten Fastener</b> Apretar elemento de fijación Befestigungsteil festziehen Apertar fixador Serrare il fissaggio Bevestiging vastdraaien Serrez les fixations		<b>Pencil Mark</b> Marcar con lápiz Stiftmarkierung Marcar com lápis Segno a matita Potloodmerkteken Marquage au crayon
	<b>Loosen Fastener</b> Aflojar elemento de fijación Befestigungsteil lösen Desapertar fixador Allentare il fissaggio Bevestiging losdraaien Desserrez les fixations		<b>Drill Hole</b> Perforar Bohrloch Fazer furo Praticare un foro Gat boren Percez un trou
	<b>Phillips Screwdriver</b> Destornillador Phillips Kreuzschlitzschraubendreher Chave de fendas Phillips Cacciavite a stella Kruiskopschroevendraaier Tournevis à pointe cruciforme		<b>Adjust</b> Ajustar Einstellen Ajustar Regolare Afstellen Ajuster
	<b>Open-Ended Wrench</b> Llave de boca Gabelschlüssel Chave de bocas Chiave a punte aperte Steeksleutel Clé à fourche		<b>Remove</b> Quitar Entfernen Remover Rimuovere Verwijderen Retirez
	<b>By Hand</b> A mano Von Hand Com a mão A mano Met de hand À la main		<b>Optional</b> Opcional Optional Opcional Opzionale Optie En option
	<b>Hex-Head Wrench</b> Llave de cabeza hexagonal Sechskantschlüssel Chave de cabeça sextavada Chiave esagonale Zeskantsleutel Clé à tête hexagonale		<b>Security Wrench</b> Llave de seguridad Sicherheitsschlüssel Chave de segurança Chiave di sicurezza Veiligheidsleutel Clé de sécurité

**TOOLS REQUIRED FOR INSTALLATION**



**PARTS**



## Assembly And Installation

### To assemble array to pole

1. Assemble pole (P) to base (N) using one 3/8-16 x 1" flat head cap screw (G). (See Figure 1)

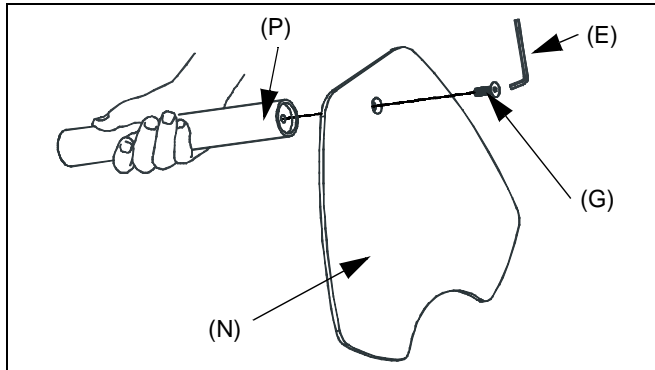


Figure 1

2. Assemble two pole clamp backs (B) to two array assemblies (A) using four 1/4" washers (D) and four 1/4-20 x 3/4" button head cap screws (C) using a 5/32" hex key (F). (See Figure 2)
3. Secure array clamps (B) to array assemblies (A) and pole by tightening four 1/4-20 x 3/4" button head cap screws (C). (See Figure 2)

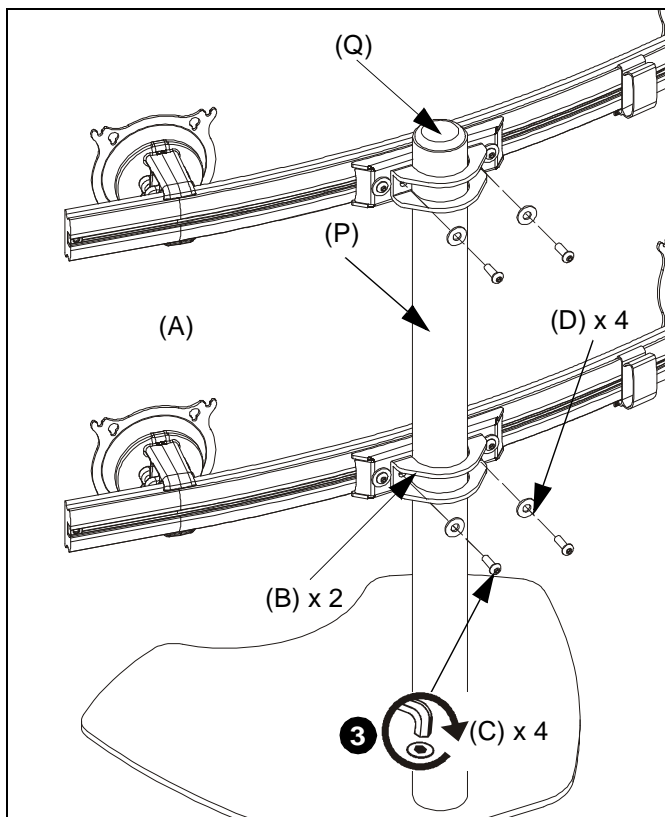


Figure 2

4. Repeat Steps 1-3 for second pole and base.
5. Add pipe caps (Q) to top of poles (P).

## Display Installation - Non-interface Models

### Attach Centris Head to Flush Mount Display



**CAUTION:** If display uses a screw size other than those included in the kit, DO NOT use the screws provided. Using the wrong screws could result in damage to your monitor.

1. Install two M4 x 12mm Phillips pan head screws (H) into two upper mounting holes in display back. (See Figure 3)

**NOTE:** DO NOT fully tighten at this time.

2. Hang display on Centris head. (See Figure 4)
3. Install bottom two M4 x 12mm Phillips pan head screws (H) through Centris head mounting holes and into lower mounting holes in display back.
4. Tighten ALL four M4 x 12mm Phillips pan head screws (H). (See Figure 5)

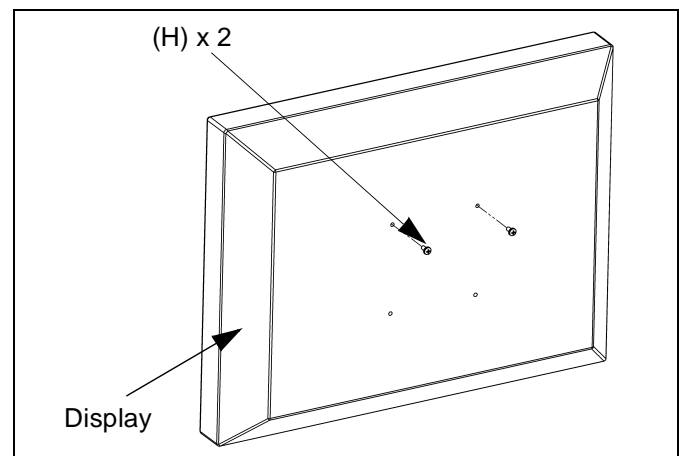


Figure 3

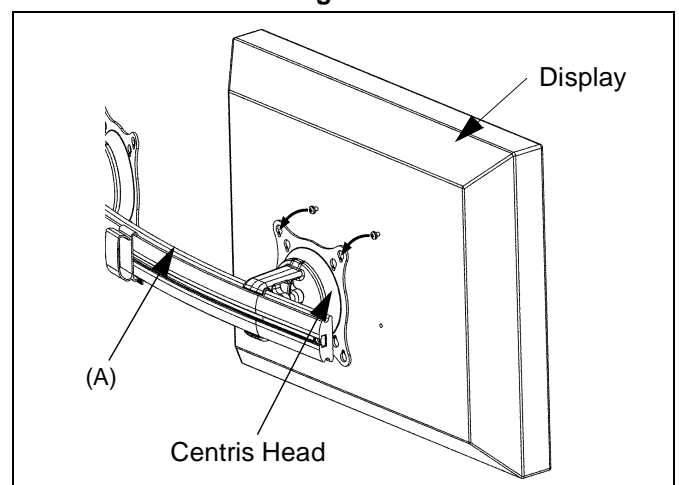


Figure 4

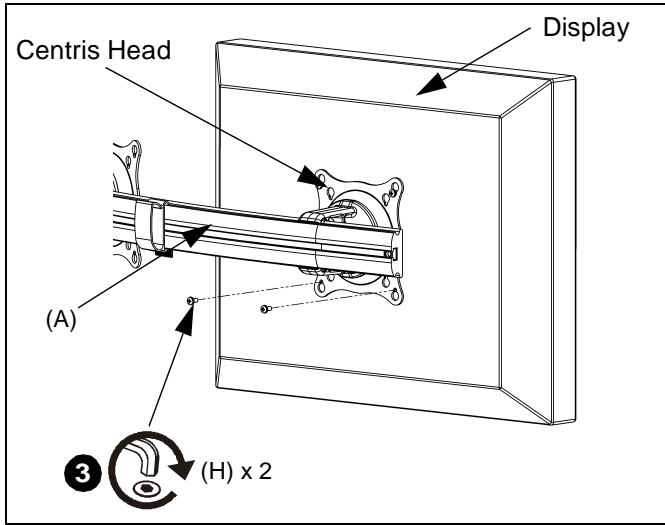


Figure 5

**Attach Centris Head to Recessed Mount Display**

1. Uninstall end lock using the 5/32" hex key (F). (See Figure 6)
2. Remove Centris head from array rail (A).

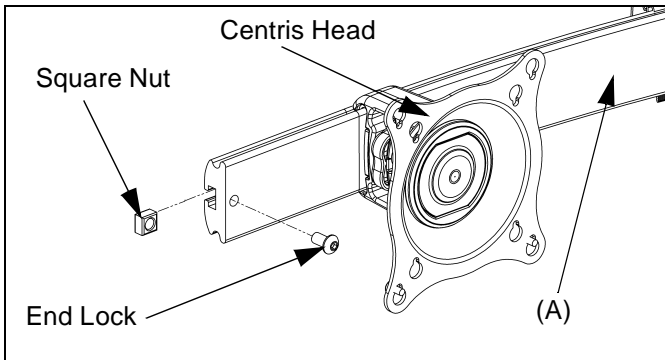


Figure 6

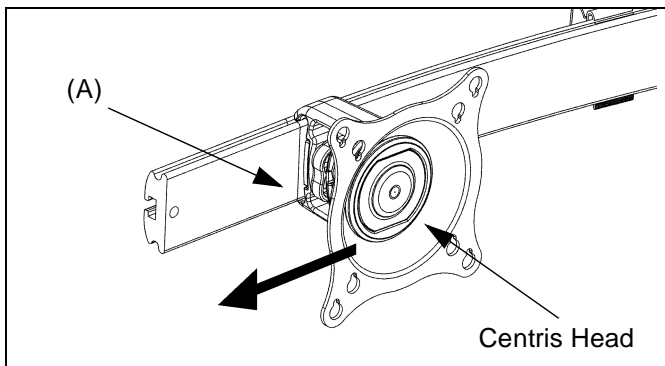


Figure 7

3. Place display face down on a clean dry surface.

4. Place four 3/8" or 3/4" nylon spacers (L or M) over four mounting holes in display back (See Figure 8).
5. Align Centris head mounting holes with four nylon spacers (See Figure 8).
6. Secure Centris head to display using four M4 x 20mm Phillips pan head screws (J) [if using 3/8" (L) spacers], or four M4 x 30mm Phillips pan head screws (K) [if using 3/4" (M) spacers] (See Figure 8).

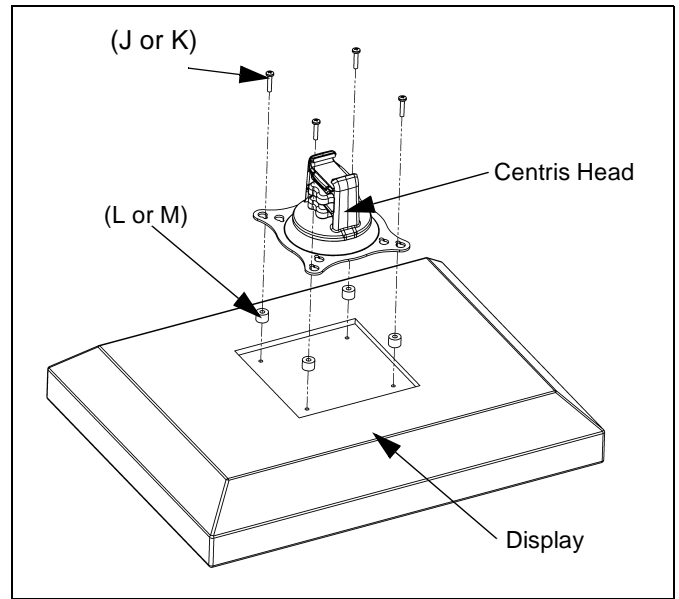


Figure 8

7. Slide display with Centris bracket onto array rail (A). (See Figure 9)

**NOTE:** Repeat previous steps for each additional display.

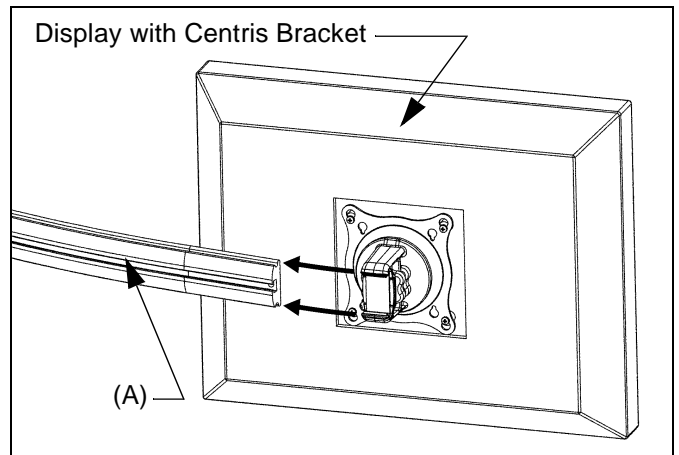


Figure 9

- Reinstall end locks into mounting rail using the 5/32" hex key (F) (See Figure 10).

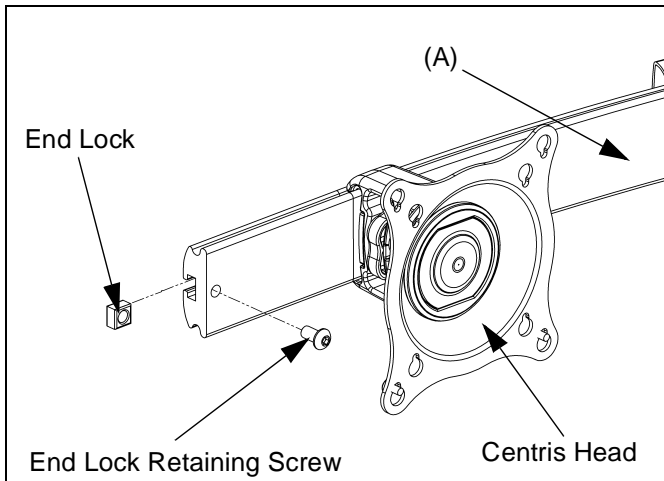


Figure 10

## ADJUSTMENTS

### Display Adjustment

The MSP-DCCKTP625 mount allows horizontal, pitch, and rotational adjustment of each display.

The MSP-DCCKTP625 mount also allows a full 360 deg. of display rotation with a maximum pitch range of 15° up and 15° down.

### Display Horizontal Position Adjustment

To adjust display horizontal position:

- Loosen Centris bracket rear adjustment knob (See Figure 11).
- Slide Centris bracket with display left or right until properly positioned on array rail.
- Tighten Centris bracket rear adjustment knob.

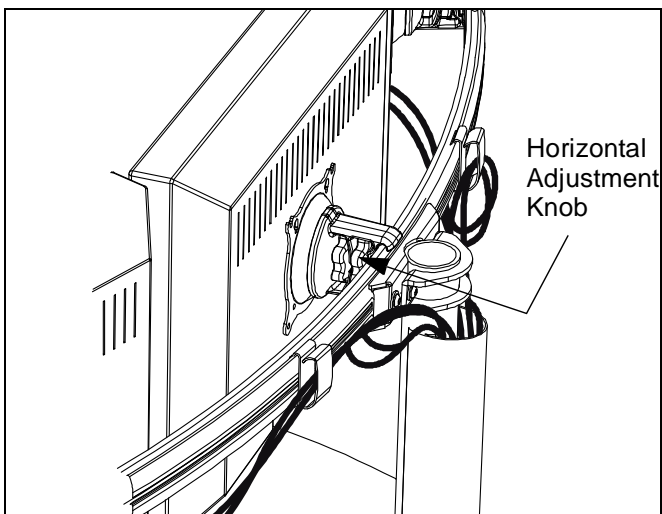


Figure 11

### Display Pitch and Roll Adjustment

To adjust display pitch or roll position:

- Loosen Centris bracket front adjustment knob. (See Figure 12)
- Tilt display up or down, or adjust display roll left or right until properly positioned.
- Tighten Centris bracket front adjustment knob.

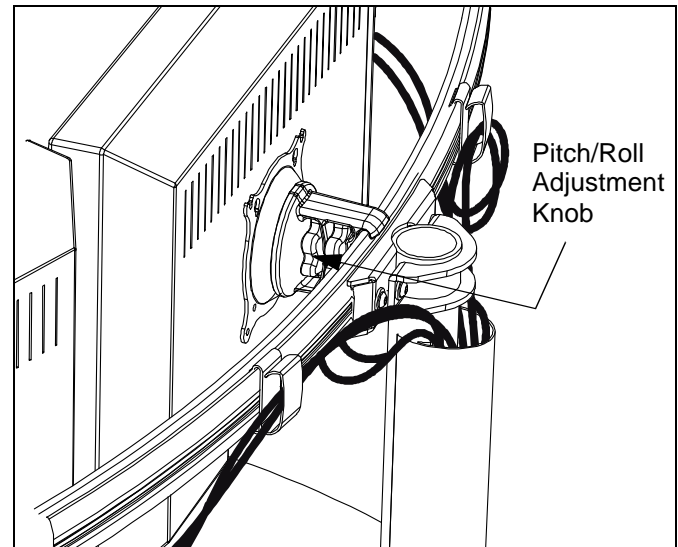


Figure 12



## CABLE MANAGEMENT

The MSP-DCCKTP625 mount includes cable management features used to properly route and secure display cables.

To use the cable management features:

1. Connect cables to display.
2. Route cables through cable clips on array rail.
3. Route cables down pole and away from mount and secure to pole using sheaths (R).

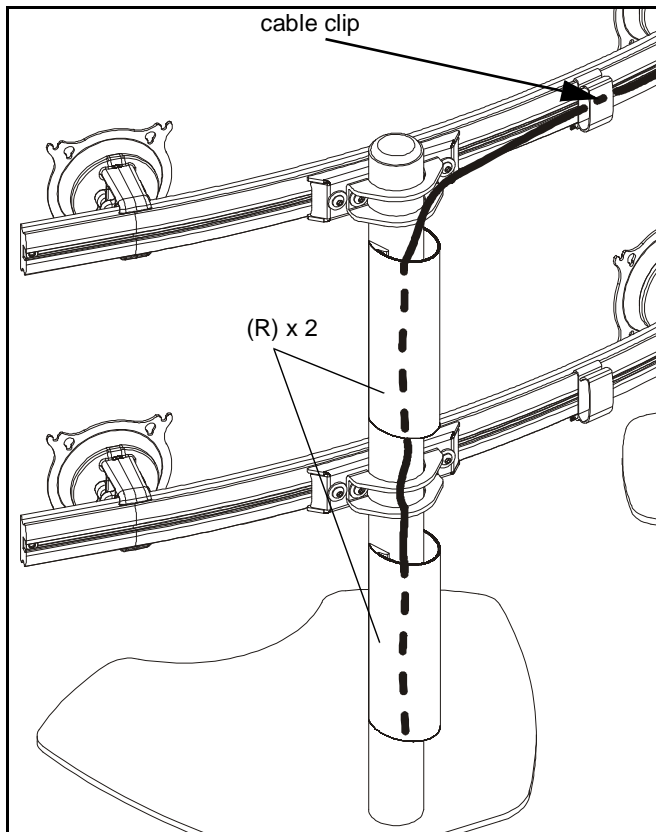


Figure 13







Our Mounts. **Your Vision.**

Chief, a products division of  
Milestone AV Technologies

8800-002835 Rev00  
©2016 Milestone AV Technologies  
[www.milestone.com](http://www.milestone.com)  
04/16

<b>USA/International</b>	<b>A</b> 6436 City West Parkway, Eden Prairie, MN 55344 <b>P</b> 800.582.6480 / 952.225.6000 <b>F</b> 877.894.6918 / 952.894.6918
<b>Europe</b>	<b>A</b> Franklinstraat 14, 6003 DK Weert, Netherlands <b>P</b> +31 (0) 495 580 852 <b>F</b> +31 (0) 495 580 845
<b>Asia Pacific</b>	<b>A</b> Office No. 918 on 9/F, Shatin Galleria 18-24 Shan Mei Street Fotan, Shatin, Hong Kong <b>P</b> 852 2145 4099 <b>F</b> 852 2145 4477

