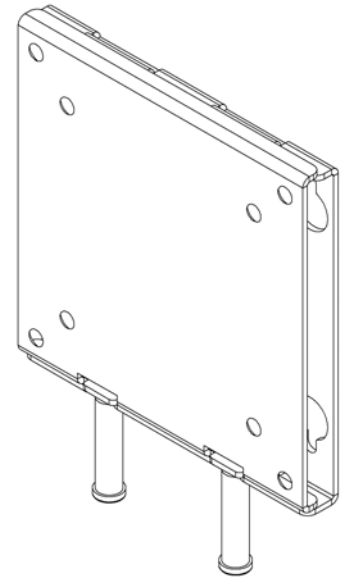

INSTALLATION INSTRUCTIONS

Small Flat Panel Static Wall Mount (MSP-DCCLGSM)

The GSM-110 static wall mount is designed to adapt to VESA® 75mm/100mm compliant displays.

The GSM-110 allows the user to permanently mount the display in a fixed position on the wall.

The GSM-110 is locked into position on the mount for added safety and security. The display can only be removed from the wall bracket when the mount is unlocked.



MSP-DCCLGSM

BEFORE YOU BEGIN

- **CAUTION:** To prevent damage to your display, which could affect or void the Factory warranty, thoroughly study all instructions and illustrations before you begin to install the mount brackets. Pay particular attention to the “Important Warnings and Precautions” on Page 2.
- If you have any questions about this installation, contact Chief Manufacturing at 1-800-582-6480 or 952-582-6480.
- If a defect is discovered after Dell’s initial 21-day Customer Satisfaction period, Chief Mfg. will, at its option, repair or replace the product at no charge provided it is returned during the warranty period. Please not contact information for Chief Mfg. listed below.

IMPORTANT WARNINGS and CAUTIONS!

- **WARNING** **A WARNING alerts you to the possibility of serious injury or death if you do not follow the instructions.**
- **CAUTION** **A CAUTION alerts you to the possibility of damage or destruction of equipment if you do not follow the corresponding instructions.**
- **WARNING** **Improper installation can result in serious personal injury! Make sure that the mounting surface can support a redundant weight factor *five times* the total weight of the equipment: if not, reinforce the mounting surface structural members before installing the GSM.**
- **WARNING** **Be aware of the potential for personal injury or damage to the unit if it is not adequately mounted.**
- **WARNING** **The installer is responsible for verifying that the mounting surface to which the GSM is anchored will safely support the combined load of all attached components or other equipment.**
- **WARNING** **The combined weight of the display placed on the GSM must not exceed 40 lbs. (18.1kg), the maximum load capacity of the mount.**
- **WARNING** **Watch for pinch points. Do not put your fingers between movable parts.**
- **WARNING** **Make sure the mount is correctly oriented.**
- **CAUTION** **Check the unit for shipping damage before you begin the installation.**
- **CAUTION** **If your monitor uses a longer screw size other than those included in the kit, DO NOT use the screws provided with the mount. Use the screws provided with your monitor or contact the manufacturer. Using the wrong screws could result in damage to your monitor.**

CONTENTS

TOOLS REQUIRED FOR INSTALLATION.....	2
GSM STATIC MOUNT KIT	3
Installation Instructions.....	4
Installing the Wall Bracket (Step 1)	4
OPTION A (Drywall Installation Procedures).....	4
OPTION B (Wall Stud Installation Procedures)	4
Attaching the VESA Bracket to the Display (Step 2).....	5
Flushed Mount	5
Recessed Mount	5
Mounting the Display on the Wall Bracket (Step 3).....	6
Cable Hook-up (Step 4).....	6
Locking the Display on the Wall Bracket (Step 5).....	6

TOOLS REQUIRED FOR INSTALLATION

- Phillips screwdriver
- Drill and drill bits

NOTE: Other tools may be required depending on your method of installation.

GSM STATIC MOUNT KIT

Unpack the carton. Verify the kit contains the contents shown in Table 1. Read installation instructions completely. If you are missing any of the listed components, please contact Customer Service at 1-800-582-6480.

Table 1. GSM Static Mount Kit

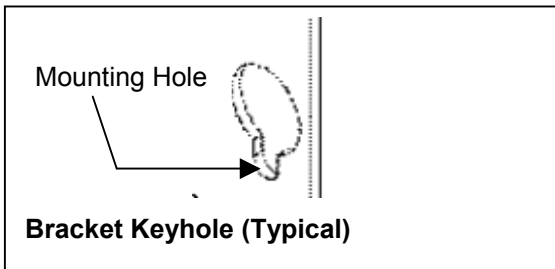
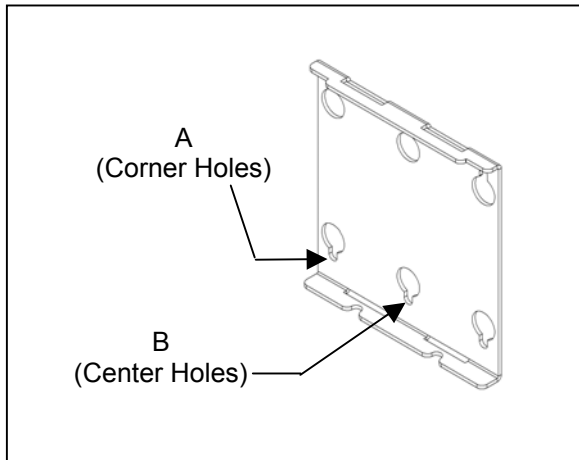
ITEM NUMBER	DESCRIPTION	QTY	NOTES
10	BRKT, VESA INTERFACE	1	
20	BRKT, WALL MOUNT	1	
30	ANCHOR, HOLLOW WALL	4	DRYWALL MOUNTED
40	PHILLIPS HEAD WOOD SCREW, 2-1/2"	2	SINGLE STUD MOUNTED
50	PHILLIPS PAN HEAD MACHINE SCREW, M5 X 50MM	2	USED FOR LOCKING
60	1-1/4" NYLON SPACER	2	
70	PHILLIPS PAN HEAD MACHINE SCREW, M4 X 10MM	4	FLUSH MOUNT
80	PHILLIPS PAN HEAD MACHINE SCREW, M4 X 20MM (USE WITH 90) *	4	RECESSED MOUNT
90	3/8" NYLON SPACER	4	
100	PHILLIPS PAN HEAD MACHINE SCREW, M4 X 30MM (USE WITH 110) **	4	
110	3/4" NYLON SPACER	4	

NOTES:

- *Use M4 x 20mm screws (80) with 3/8" spacers (90) for recessed applications.
- **Use M4 x 30mm screws (100) with 3/4" spacers (110) for recessed applications.

Installation Instructions

Step 1



NOTE: Read the “Important Warnings and Precautions” on Page 2.

Installing the Wall Bracket (Step 1)

To install the wall bracket, perform Option A or Option B as applicable.

OPTION A (Drywall Installation Procedures)

- A. Determine the exact mounting location prior to installation, considering screen size.
- B. Position the wall bracket (20), as needed on the wall. Using the wall bracket (20) as a template at the desired mounting location, mark the location of the four outer mounting holes.

NOTE: This procedure applies to a minimum drywall thickness of 1/2” inch (12.7 mm).

- C. Using a 3/8-inch drill, drill four pilot holes at the locations marked in Step 1.A.
- D. Install an anchor (30) in one of the pilot holes and tighten anchor bolt until it is fully seated (see Figure 1).
- E. Remove and retain bolt from anchor (30) and repeat Step 1.D and 1.E for three remaining anchors (30).
- F. Using four bolts, with washers installed, secure wall bracket (20) to wall.

OPTION B (Wall Stud Installation Procedures)

- A. Determine the exact mounting location prior to installation, considering screen size as well as the mount swing and extension radius.
- B. Position the wall bracket (20) in the vertical position or the horizontal position, as needed.
- C. Locate stud and, using wall bracket (20) as a template at the desired height, mark the location of the two center mounting holes.
- D. Using the two wood screws (40), secure wall bracket (20) to wall.

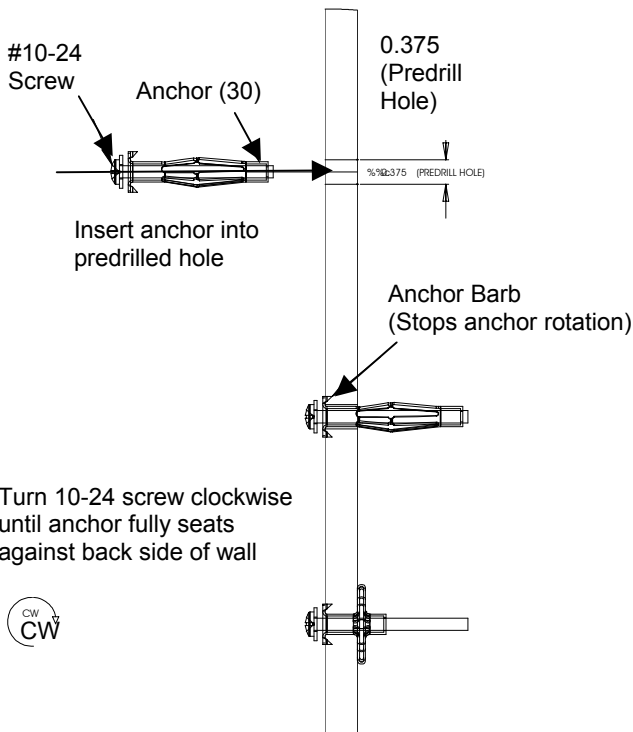


Figure 1. Anchor Installation

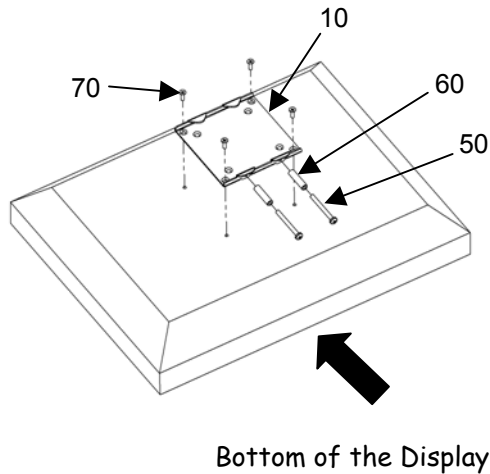
Step 2

Attaching the VESA Bracket to the Display (Step 2)

NOTE: Choose the instructions, listed below, that apply to the type of installation you want.

- Flush Mount Applications do not use spacers. The display is attached to the mount with four screws.
- Recessed Mount Applications use spacers. The display is attached to the mount with four screws and four spacers.

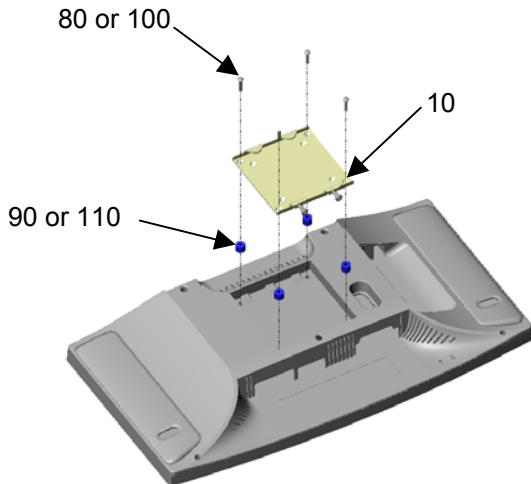
CAUTION: If display uses a screw size other than those included in the kit, DO NOT use the screws provided. Using the wrong screws could result in damage to your monitor.



Flushed Mount

Flushed Mount

- Place four spacers (70) over the mounting holes on the display.
- Place the VESA bracket (10) on the display.
- Align the hole-pattern of the VESA bracket (10) with the hole-pattern on the display.
- Attach VESA bracket (10) to the display using four M4 X 10mm screws (70) provided. Tighten the screws.
- Insert the two screws (50) and two spacers (60) into the threaded holes at the bottom of the VESA bracket (20). Turn the screws just enough to stay threaded in the holes. The screws will be tightened later.



Recessed Mount

Recessed Mount

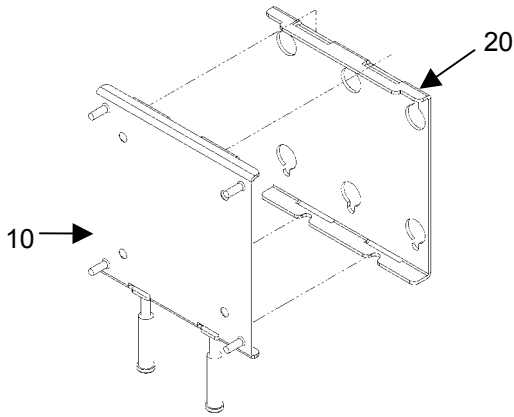
NOTE:

Use one of the following screw and spacer combinations:

- M4 x 20mm screws (80) and 3/8" spacers (90).
- M4 x 30mm screws (100) and 3/4" spacers (110).

- Select four screws (80 or 100) and four spacers (90 or 110) to attach the VESA bracket (10).
- Set four spacers (90 or 110) over the four mounting holes on your display.
- Align the hole-pattern on the VESA bracket (10) with the hole-pattern on the display.
- Install four screws (80 or 100) into the mounting holes of your display. Tighten the screws.

Step 3



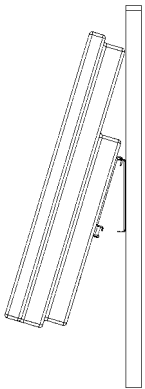
Assemble the Brackets

Mounting the Display on the Wall Bracket (Step 3)

With assistance from another person (if necessary), mount the display as follows:

- A. Lift the display up to the wall bracket (20) and align the VESA bracket (10) with the mating slots on the wall bracket (20).
- B. Check to ensure that the display is locked in the wall bracket (20).

Step 4



Cable Hook-up — Side View

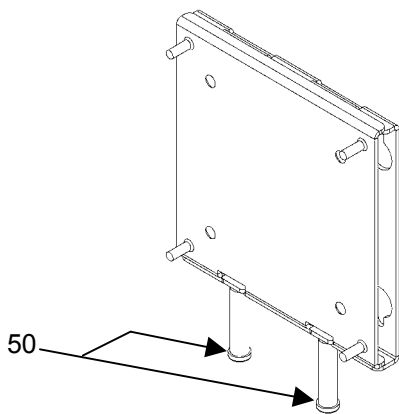
Cable Hook-up (Step 4)

Connect cables to the display as follows:

To allow for greater space between the wall and your display: allow the display to hang from the two top tabs with the bottom tabs free to move. This allows for easier access to hook-up all cables.

NOTE: This is not considered the “home” position and should only be used to allow for cable access. After all cables are secure, make sure that all four tabs are securely seated and the two locking screws (50) are tightened (see step 5).

Step 5



Carefully Tighten Locking Screws

Locking the Display on the Wall Bracket (Step 5)

Tighten the screws (50) until friction holds the display stationary.