

# INSTALLATION INSTRUCTIONS

## MSP-DCCLMCSMSB DISPLAY MOUNTING BRACKET

Prior to assembly, unpack carton completely and verify contents.

If you are missing any of the following components, please contact Customer Service at 1-800/582-6480.

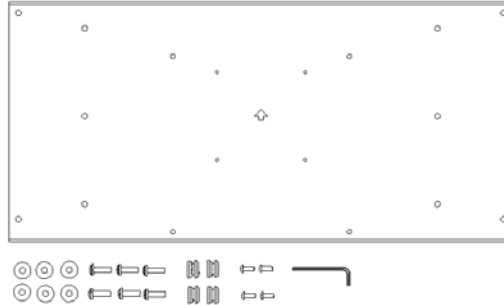


Figure 1

(1) Interface Bracket

(4) 10-24 x .5 Button Head Cap Screw

(6) .75 x .266 x .312 Nylon Spacer

(4) Mounting Button - Tapped

(6) M6 x 20 Phillips Head Cap Screw

(1) 1/8" Allen Key

BEFORE PROCEEDING, READ INSTALLATION INSTRUCTIONS COMPLETELY

**CAUTION!** DISPLAYS ARE EXTREMELY FRAGILE.

**WARNING!** ALL COMPONENTS MUST BE SECURELY FASTENED TO A STRUCTURAL MEMBER CAPABLE OF SUPPORTING 4 TIMES THE COMBINED WEIGHT OF ALL COMPONENTS PLUS THE EQUIPMENT BEING MOUNTED. IF IT CANNOT SUPPORT THIS WEIGHT, THE STRUCTURE MUST BE REINFORCED. THE MAXIMUM WEIGHT TO BE INSTALLED ON THE INTERFACE IS 125 POUNDS (56.7 KG).

### 1. Chief Q-Latch Button Installation

Using a 10-24 button head cap screw inserted from back side of bracket, secure mounting button, with chamfered hole of mounting button (larger surface) facing bracket, bracket (four places) (see Figure 2 and Figure 3).

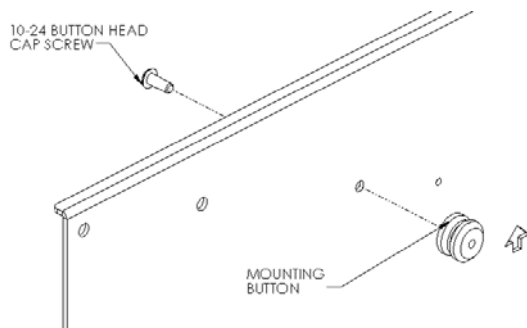


Figure 2

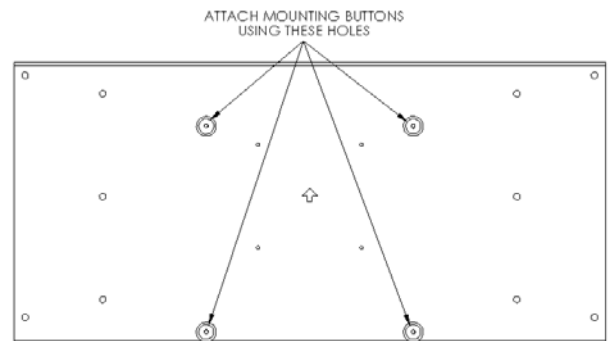
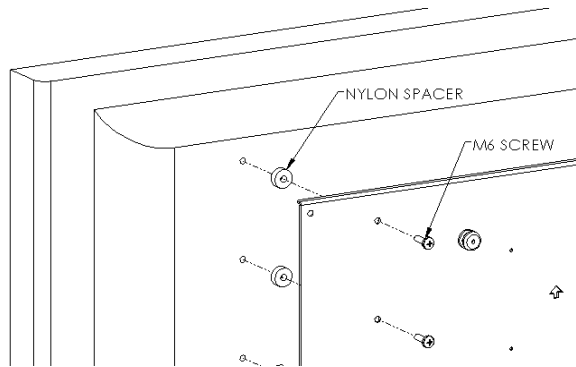


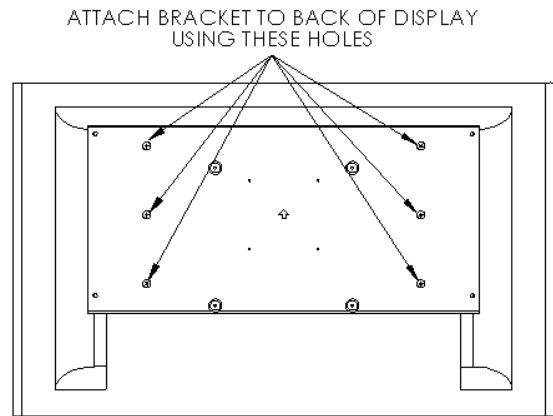
Figure 3

**Bracket Installation on W3201 32” Display**

2. Attach bracket to back of display using the M6 screws and nylon spacers (see Figure 6 and Figure 7). Do not over-tighten screws (see Figure 4 and Figure 5).



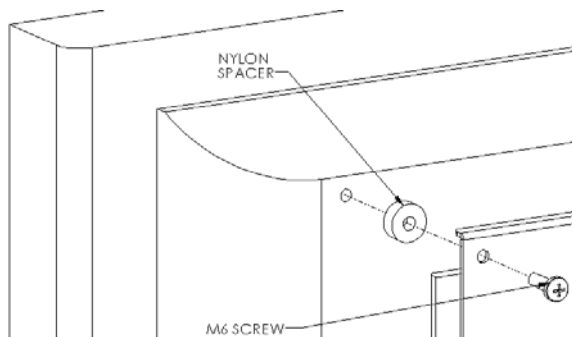
**Figure 4**



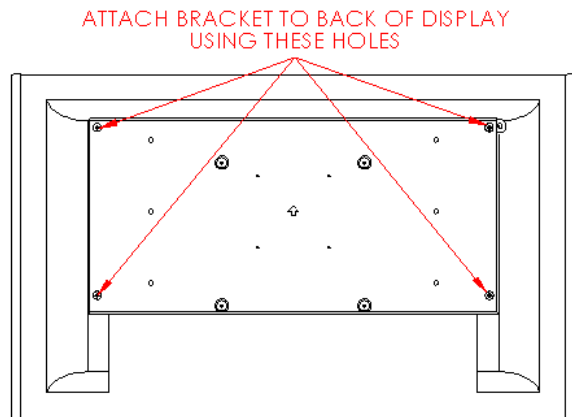
**Figure 5**

**Bracket Installation on W3202 32” Display or W3706 37” Display**

3. Attach bracket to back of display using the M6 screws and nylon spacers (see Figure 6 and Figure 7). Do not over-tighten screws.



**Figure 6**



**Figure 7**

**Q-Latch Mounting**

4. Per mount instructions, with the aid of another person, lift display up to the Chief Mount, aligning buttons of mounting brackets with slots in the Chief Mount. Raise safety latch on the Chief Mount to secure display, making sure latch is completely engaged.