

---

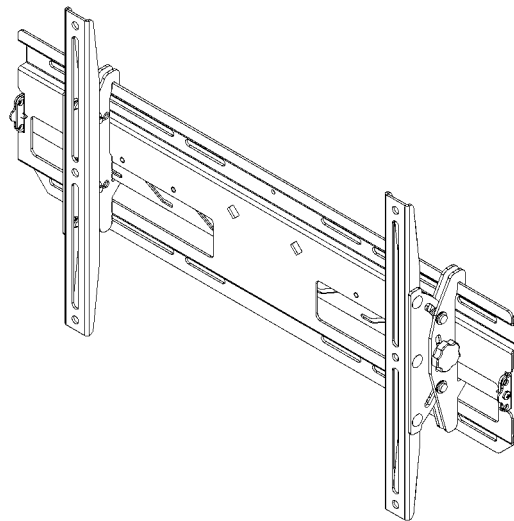
# INSTALLATION INSTRUCTIONS

---

## MSP-DCCPGTU Large Screen Tilt Display Mount

The Large Screen Tilt Display Mount is a quick disconnect mounting solution for large flat panel displays. The mount features infinite adjust ability between 0 and 15 degrees pitch and self adjusts for the weight of different display screens.

Once the tilt brackets are attached to your display, simply install the mount securely on a wall, lock the display in place and attach your audio/video cables.



### BEFORE YOU BEGIN

---

- **Caution:** To prevent damage to the mount, which could void factory warranty and affect the attached equipment, thoroughly study all instructions and illustrations before you begin the installation. Pay particular attention to the “Important Warnings and Precautions” on Page 3.
- The mount is designed to be installed using wall studs or supporting framework. The fasteners used to anchor the mount must be capable of supporting five times the total weight of the equipment.
- The maximum weight to be installed on the MSP-DCCPGTU mount is 175 pounds (79.38 Kg).
- If you have any questions about this installation, contact Chief Manufacturing at 1-800-582-6480.
- If a defect is discovered after Dell’s initial 21 day Customer Satisfaction period, Chief Mfg. will, at its option, repair or replace the product at no charge provided it is returned during the warranty period. Please note contact information for Chief Mfg. listed below.

**THIS PAGE  
INTENTIONALLY  
LEFT BLANK**



## IMPORTANT WARNINGS AND PRECAUTIONS!

**WARNING:** A **WARNING** alerts you to the possibility of serious injury or death if you do not follow the instructions.

**CAUTION:** A **CAUTION** alerts you to the possibility of damage or destruction of equipment if you do not follow the corresponding instructions.

- **WARNING: Improper installation can result in serious personal injury! Make sure that the structural members can support a weight factor *five times* the total weight of the equipment. If not, reinforce the structure before installing the mount.**
- **WARNING: Be aware also of the potential for personal injury or damage to the unit if it is not adequately mounted.**
- **WARNING: The installer is responsible for verifying that the structure to which the mount is anchored will safely support four times the combined load of all attached components or other equipment.**
- **WARNING: The weight of the display placed on the mount must not exceed 175 lbs. (79.38 kg), the maximum load capacity of the mount.**
- **WARNING: Watch for pinch points. Do not put your fingers between movable parts.**
- **WARNING: Make sure the mount and brackets are correctly oriented.**
- **CAUTION:** Check the unit for shipping damage before you begin the installation.
- **CAUTION:** Use only the mounting screws provided and **DO NOT OVER TIGHTEN** mounting screws.

## CONTENTS

TOOLS REQUIRED FOR INSTALLATION ...	4
PARTS LIST .....	4
PARTS .....	5
INSPECT THE MOUNT BEFORE ASSEMBLY .....	6
INSTALL INTERFACE BRACKETS ON DISPLAY .....	6
INSTALL WALL PLATE .....	8
INSTALL DISPLAY .....	9

## TOOLS REQUIRED FOR INSTALLATION

- Phillips screwdrivers, No. 1 and No. 2 TIP
- Drill and bit set
- Wrench set

**NOTE:** Other tools may be required depending on the method of installation.

## PARTS LIST

**Table 1: Parts List**

REF	DESCRIPTION	QTY	REF	DESCRIPTION	QTY
10	PLATE, Wall with two latches attached	1	140	SCREW, Phillips, M4 x 20 (Parts Bag D)	8
20	BRACKET, Interface (Rt)	1	150	SCREW, Phillips, M4 x 25 (Parts Bag D)	8
30	BRACKET, Interface (Lft)	1	160	WASHER, Flat, #10 (Parts Bag E)	8
40	BRACKET, Tilt Assembly	2	170	WASHER, Flat, 1/4" (Parts Bag F)	8
50	SCREW, Phillips, M8 x 20 (Parts Bag A)	6	180	SPACER, 1/4" (Parts Bag G)	8
60	SCREW, Phillips, M8 x 30 (Parts Bag A)	6	190	SPACER, 1/2" (Parts Bag G)	8
70	SCREW, Phillips, M8 x 45 (Parts Bag A)	6	200	WASHER, Shoulder, .195"ID (Parts Bag E)	8
80	SCREW, Phillips, M6 x 25 (Parts Bag B)	8	210	WASHER, Shoulder, .320"ID (Parts Bag F)	8
90	SCREW, Phillips, M6 x 16 (Parts Bag B)	8	220	SCREW, Self-Tapping	2
100	SCREW, Phillips, M5 x 16 (Parts Bag C)	8	230	BOLT, Carriage, 1/4-20 x 1/2"	6
110	SCREW, Phillips, M5 x 20 (Parts Bag C)	8	240	NUT, Nylock, 1/4-20	4
120	SCREW, Phillips, M5 x 25 (Parts Bag C)	8	250	BOLT, Lag, 5/16"	4
130	SCREW, Phillips, M4 x 16 (Parts Bag D)	8	260	WASHER, 5/16"	4

# PARTS

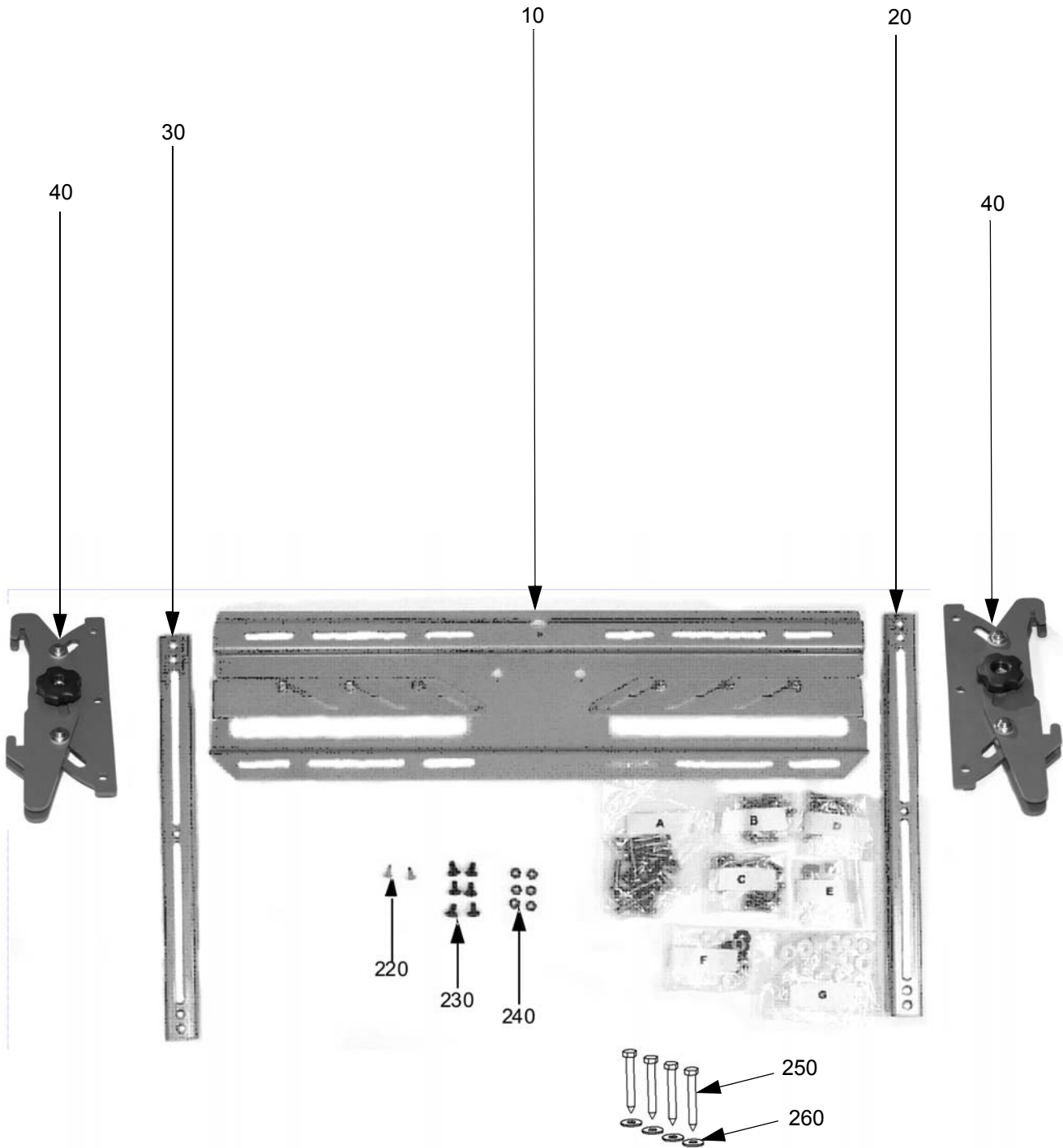


Figure 1. Parts

## INSPECT THE MOUNT BEFORE ASSEMBLY

1. Carefully inspect the mount for shipping damage (see Figure 1). If any damage is apparent, call your carrier claims agent and do not continue with the installation until the carrier has reviewed the damage.

**NOTE:** Read all assembly instructions before starting assembly.

2. Carefully inspect mount components for damage.

## INSTALL INTERFACE BRACKETS ON DISPLAY

Install the interface brackets as follows:

1. Place the interface brackets (20 and 30) on the back of the display, aligning one of the holes or top of the slots as a reference point to align horizontally with the square holes facing toward the center of the display (see Figure 2 and Figure 3).

**NOTE:** Spacers (180 or 190) are used to offset the bracket if the mounting holes are recessed or to get around the protrusions.

2. Secure the left and right factory assembled interface bracket assemblies (20 and 30) to the display. Select the mounting hardware that fits your application. Read the following list and refer to Figure 4 and Figure 5.
  - Use spacers (180 or 190), if necessary.
  - Use M6 screws (80 or 90) or M8 screws (50, 60, or 70), steel washers (170), and shoulder washers (210).
  - Or, use M4 screws (130, 140, or 150) or M5 screws (100, 110, or 120) steel washers (160), and shoulder washers (200).

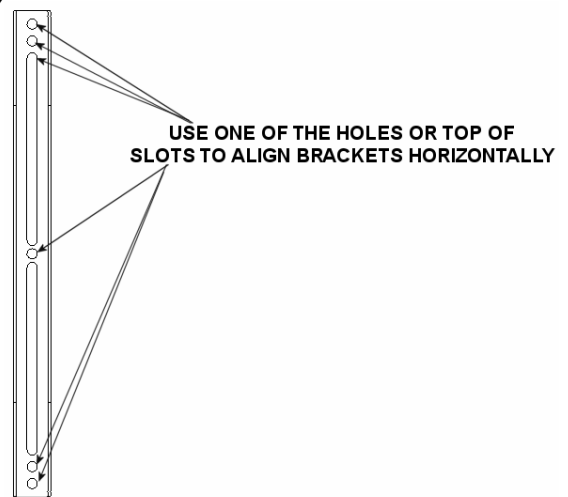


Figure 2. Place Brackets on Display

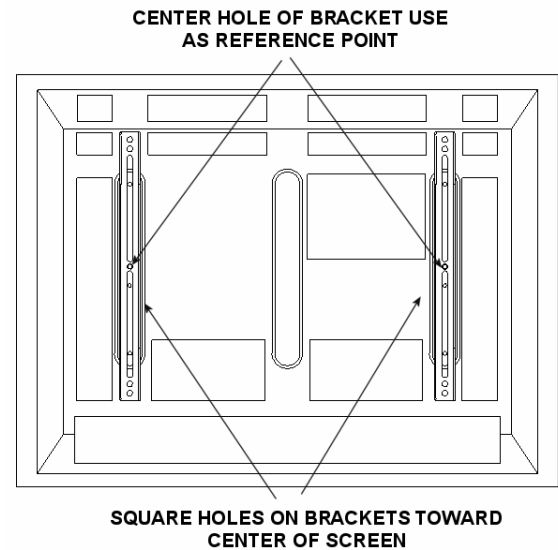


Figure 3. Align Holes

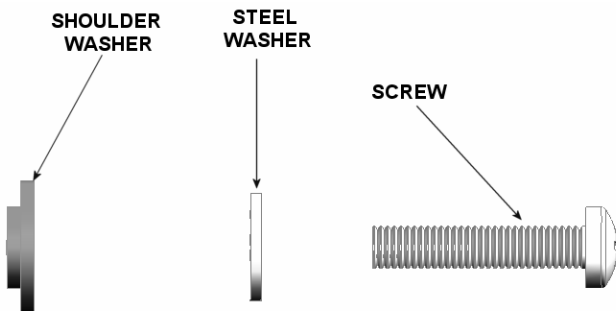


Figure 4. Attachment Parts

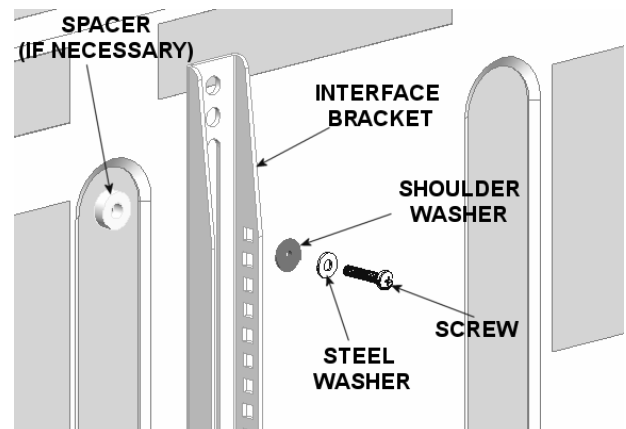


Figure 5. Attachment

3. Find the center line of the display (see Figure 6).
4. Using six bolts (230) and six Nylock nuts (240), attach the two tilt brackets (40) with the center hole of the tilt assembly as close to the center line of the display as possible (see Figure 7), positioning the assembly with the knob side toward the outside of the display.

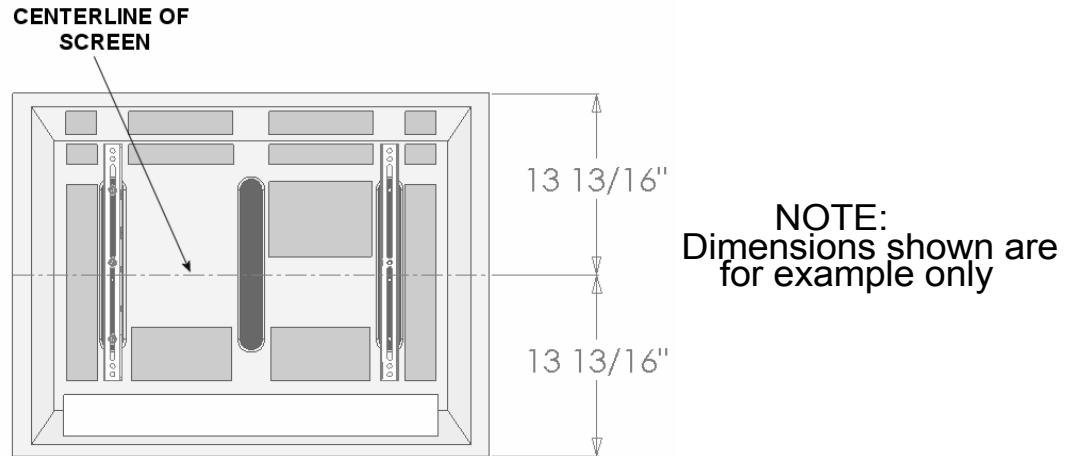


Figure 6. Center Line of Display

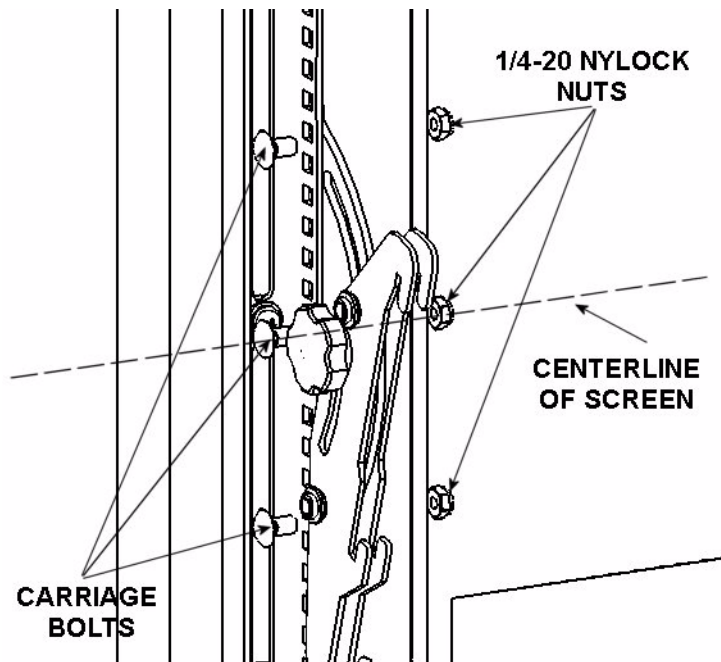


Figure 7. Attach Tilt Brackets

## INSTALL WALL PLATE

Install the wall plate as follows:

**WARNING: It is the responsibility of the installer to verify that the structure to which the mount is anchored will safely support four times the combined load of all attached components and equipment.**

1. Determine suitable a mounting location and lift the wall plate (10) into place (see Figure 8).
2. Using a small nail or screw (not provided) in the center hole, lightly hold wall plate at the mounting location (see Figure 9).
3. Level the wall plate (10) and drill pilot holes for anchoring the wall plate. If drilling into wood studs, us a 15/64" drill bit.
4. Using four 5/16" lag bolts (250) and 5/16" washers (260), install the wall plate on the wall.
5. Slide the latches to the outside (see Figure 10).

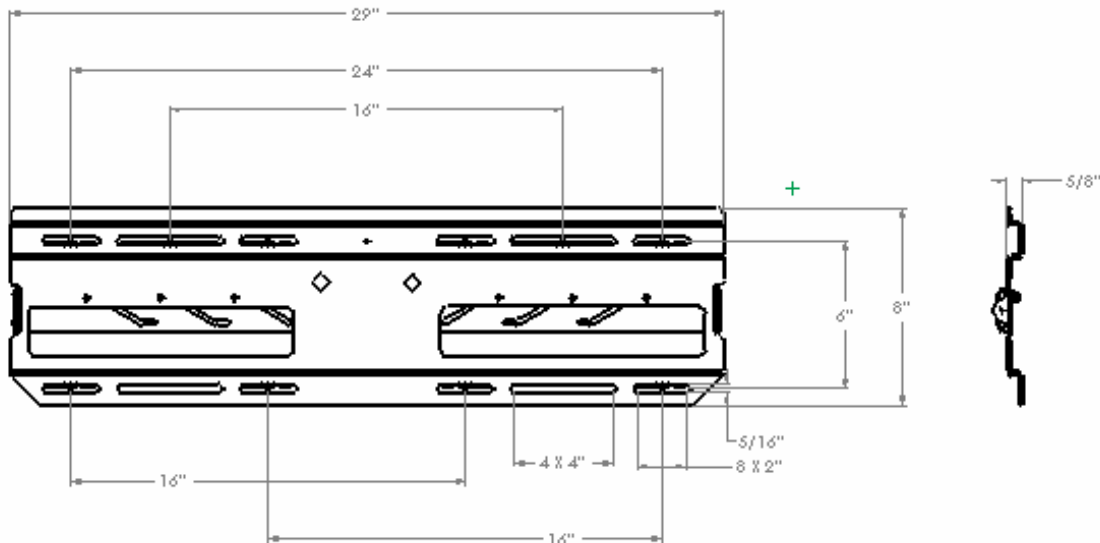


Figure 8. Wall Plate Dimensions

CENTER HOLE TO FACILITATE LEVELING PROCESS OF WALL BRACKET

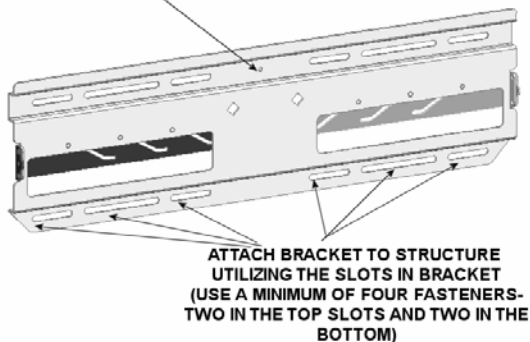


Figure 9. Wall Plate Installation

SLIDE LATCHES TO THE OUTSIDE PRIOR TO PLACING SCREEN ON BRACKET

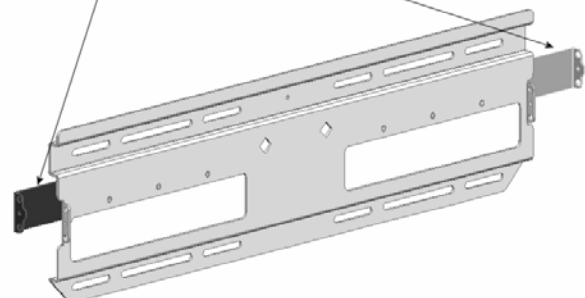


Figure 10. Slide Latches Outward



## INSTALL DISPLAY

Install the display as follows:

1. Place the display on the wall plate (10) by hooking the hooks of the brackets (20 and 30) in the top of the wall plate (see Figure 11 and Figure 12).
2. Secure the display by sliding the latches, one on each side, inward (see Figure 13).
3. If desired, install self tapping screws (220) and/or padlocks (not provided) for additional security (see Figure 14).

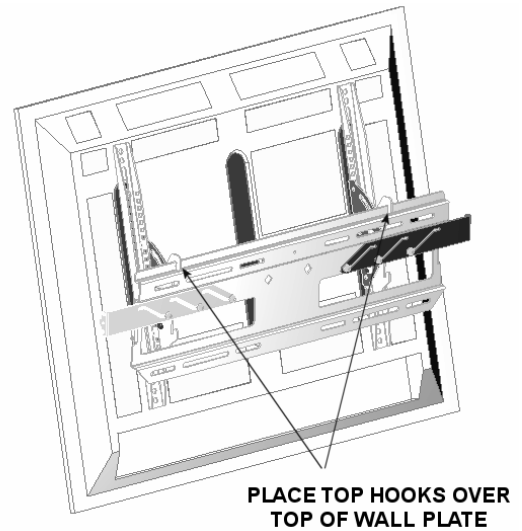


Figure 11. Hooks On Top (View 1)

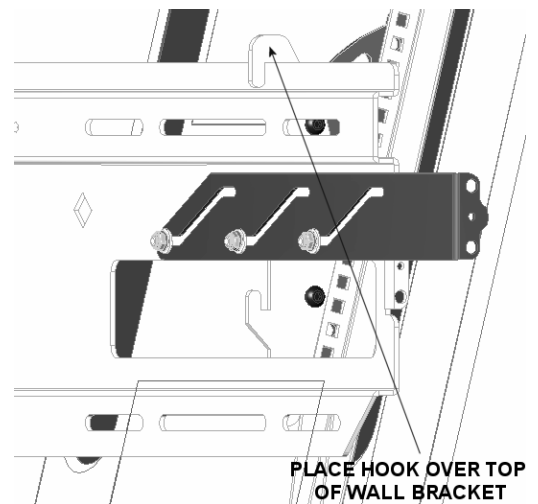


Figure 12. Hooks On Top (View 2)

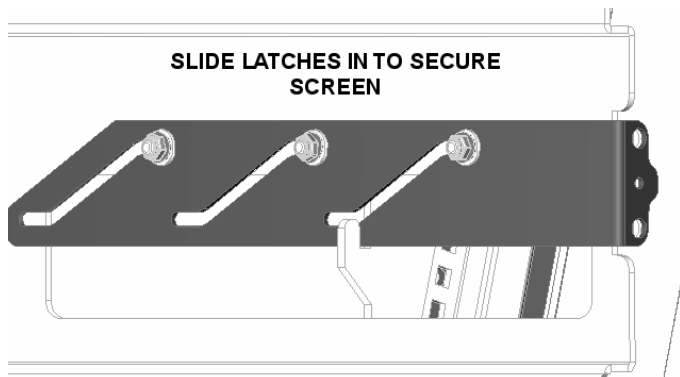


Figure 13. Slide Latches In

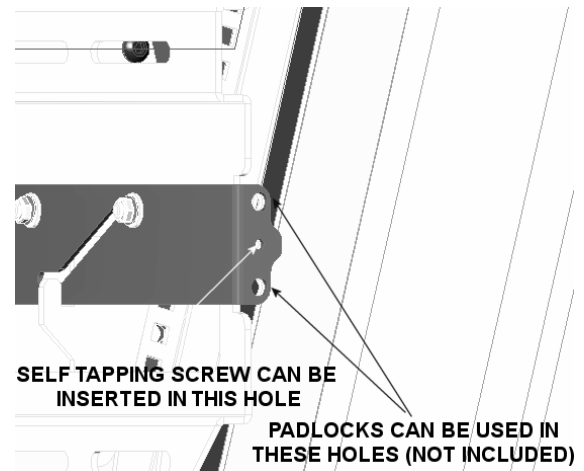


Figure 14. Added Security