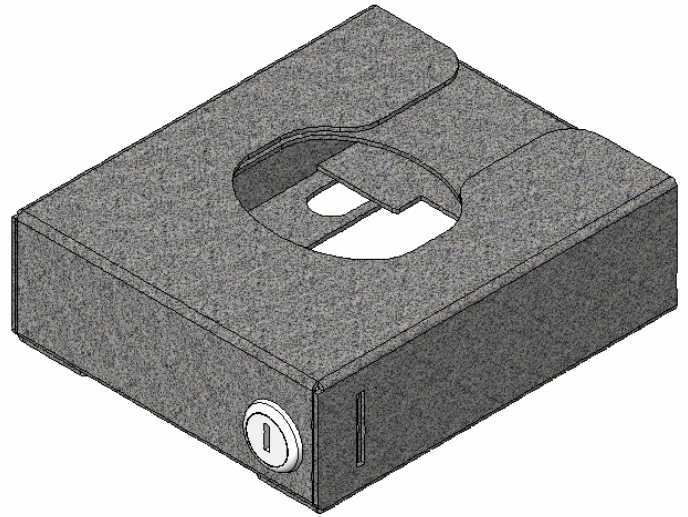

INSTALLATION INSTRUCTIONS

Projector Lock MSP-DCCPL-1

The projector lock, constructed with heavy gauge steel, is designed to prevent access to projector mounts. The projector lock protects against disconnecting projectors from their mounts in most high-risk environments, minimizing the probabilities of theft.

The design of the projector lock ensures proper ventilation for your projector while providing excellent security and protection.



PL-1

BEFORE YOU BEGIN

- **CAUTION: To prevent damage to your projector, which could affect or void the Factory warranty, thoroughly study all instructions and illustrations before you begin to install the mount brackets. Pay particular attention to the “Important Warnings and Cautions” on Page 2.**
- If a defect is discovered after Dell’s initial 21-day Customer Satisfaction period, Chief Mfg. will, at its option, repair or replace the product at no charge provided it is returned during the warranty period. Please note contact information for Chief Mfg. listed below.

IMPORTANT WARNINGS and CAUTIONS!

- WARNING** **A WARNING alerts you to the possibility of serious injury or death if you do not follow the instructions.**

- CAUTION** **A CAUTION alerts you to the possibility of damage or destruction of equipment if you do not follow the corresponding instructions.**

- **WARNING** **Improper installation can result in serious personal injury! Make sure that the mounting surface can support a redundant weight factor *five times* the total weight of the equipment. If not, reinforce the mounting surface structural members before installing the mount.**

- **WARNING** **Make sure the mount is correctly oriented.**

- **CAUTION** **Check the unit for shipping damage before you begin the installation.**

CONTENTS

PARTS.....	3
Projector Lock Parts.....	3
READ INSTRUCTIONS.....	4
INSPECT INSTALLATION LOCATION.....	4
INSTALLATION.....	4
LOCK/UNLOCK PROJECTOR LOCK.....	6

NOTE: Other tools may be required depending on your method of installation.

FIGURES

Figure 1. Projector Lock Parts	3
Figure 2. Main Bracket On Pole.....	4
Figure 3. Position Main Bracket Above Mount.....	4
Figure 4. Slots Over Thumb Nuts.....	4
Figure 5. Security Tab Into Slot	5
Figure 6. Security Tab Correctly Installed	5
Figure 7. Install Security Insert	5
Figure 8. Projector Lock Assembled	6
Figure 9. Insert Key	6
Figure 10. Locked.....	6

TABLES

Table 1. Parts.....	3
---------------------	---

PARTS

Prior to assembly, unpack the carton completely. Verify contents listed in Table 1 and Figure 1.

Projector Lock Parts

Table 1. Parts

ITEM NUMBER	DESCRIPTION	QTY
10	MAIN BRACKET	1
20	SECURITY INSERT BRACKET	1
30	KEY	2

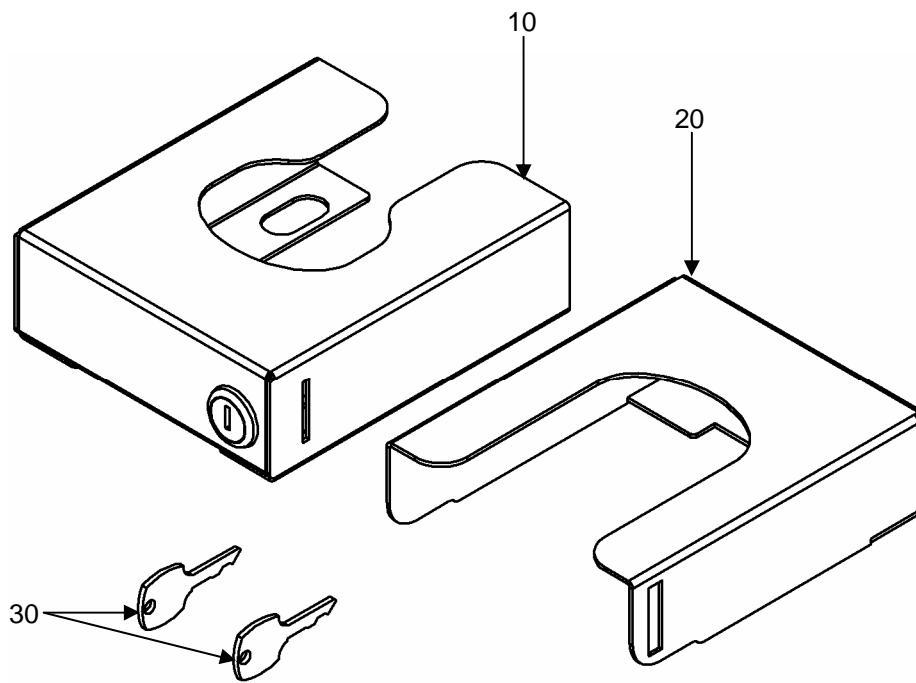


Figure 1. Projector Lock Parts

READ INSTRUCTIONS

Read all instructions before starting the installation.

INSPECT INSTALLATION LOCATION

Because of the wide variety of possible mounting situations, Chief Manufacturing only provides general guidelines for the typical pole-mounted installation.

Study the following information carefully, and make adjustments as necessary to fit your specific installation.

WARNING

Be especially aware of the overall weight of the equipment, which includes weight of projector and attaching hardware. There is a potential for personal injury or equipment damage if the projector is not adequately mounted.

INSTALLATION

This manual contains installation procedures that cover pole-mounted applications:

NOTE: Projector must be installed before installing the projector lock. Projector is not shown in installation process for clarity reasons.

1. With lock mechanism located on left side of mount set screw, slide Main Bracket (10) onto pole above projector mount (see Figure 2).
2. Position Main Bracket above projector mount (see Figure 3).
3. Slide slots in bottom of Main Bracket (10) over thumb nuts of projector mount (see Figure 4).

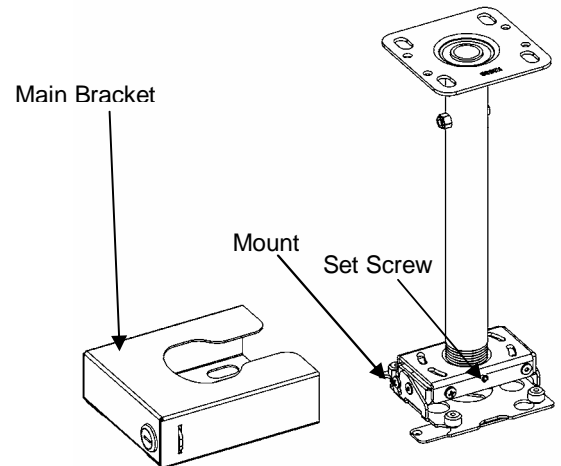


Figure 2. Main Bracket On Pole

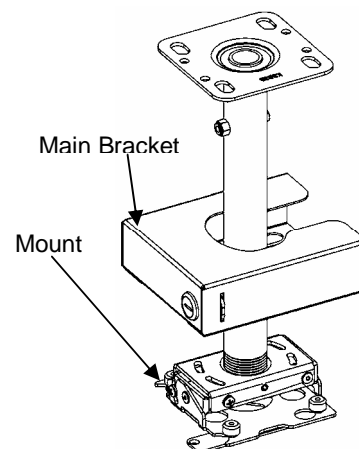


Figure 3. Position Main Bracket Above Mount

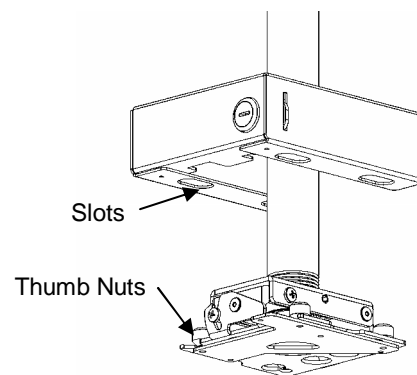


Figure 4. Slots Over Thumb Nuts

4. Slide security tab of Main Bracket (10) into slot on side of projector mount (see Figure 5 and Figure 6).

NOTE: Ensure key lock is in the unlocked (12 o'clock) position.

5. Install Security Insert (20) inside Main Bracket (10), ensuring tab of Security Insert is installed into slot on side of projector mount the same as Main Bracket (see Figure 7).

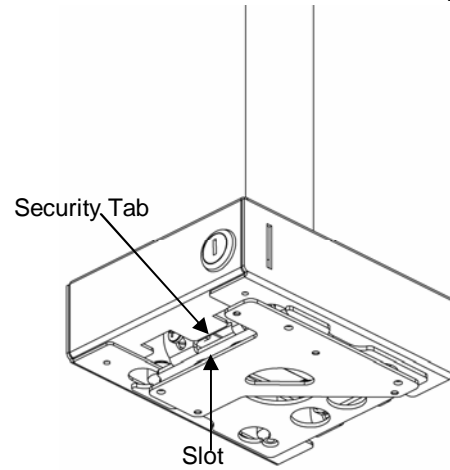


Figure 5. Security Tab Into Slot

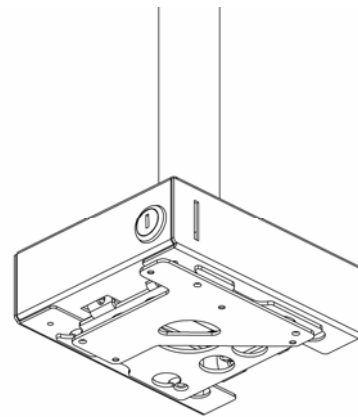


Figure 6. Security Tab Correctly Installed

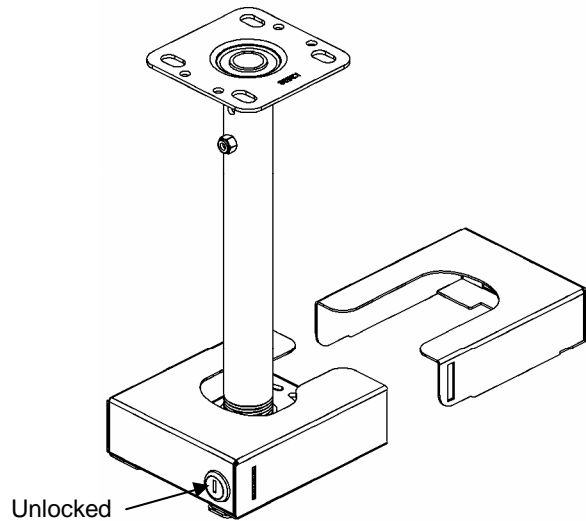


Figure 7. Install Security Insert

LOCK/UNLOCK PROJECTOR LOCK

1. With Projector Lock installed (see Figure 8), Insert key into vertical (unlocked position see Figure 9) key slot.
2. Turn key 90 degrees clockwise to secure (locked position see Figure 10).

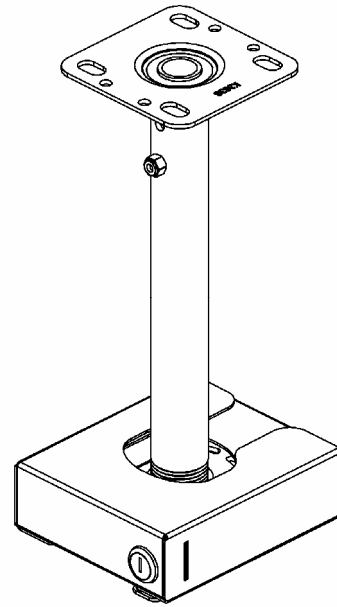


Figure 8. Projector Lock Assembled

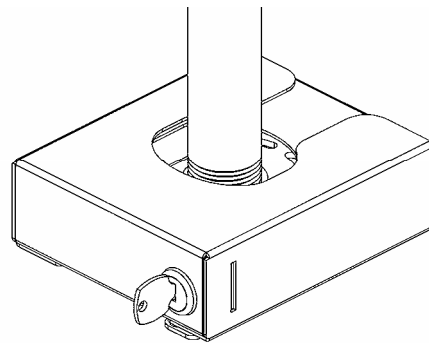


Figure 9. Insert Key

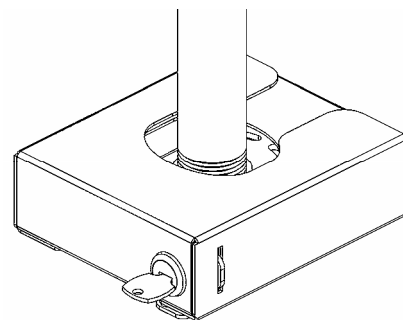


Figure 10. Locked