

---

# INSTALLATION INSTRUCTIONS

---

## Medium Flat Panel

## Pivot/Tilt Wall Mount

## Model: MSP-DCCS0

The pivot/tilt wall mount was designed for mounting a medium sized flat panel display. The mount can be pivoted from side-to-side to adjust to your ergonomic need. The mount itself can be tilted +15°. The amount of tilt left and right depends on the size and location of the display.

The mount is shipped with the VESA® 100mm/100mm Centris™ interface which is compatible with most medium flat panels. To accommodate the mounting hole patterns on existing medium flat panels that are offered in different sizes, the mount is supplied with an interface adapter designed to accommodate the VESA 200mm x 200mm and 200mm x 400mm mounting patterns.

The mount will more than likely adapt to your medium flat panel display, providing that your display does not exceed the specified weight rating.



### BEFORE YOU BEGIN

---

**CAUTION:** To prevent damage to the mount, which could affect or void the Factory warranty, and to the equipment that will be attached to it, thoroughly study all instructions and illustrations before you begin the installation. Pay particular attention to the “Important Warnings and Cautions” on Page 2.

- The maximum weight to be installed on the mount is 75 pounds (34 kg).
- The mount is designed to be installed using wall studs or supporting framework. The structure to which the mount is anchored must be capable of supporting five times the total weight of the mount and all attached equipment.
- If you have any questions about this installation, contact Chief Manufacturing at 1-800-582-6480.
- \* If a defect is discovered after Dell's initial 21-day Customer Satisfaction period, Chief Mfg. will, at its option, repair or replace the product at no charge provided it is returned during the warranty period. Please note contact information for Chief Mfg. listed below:



CHIEF MANUFACTURING INC.  
1-800-582-6480 952-894-6280 FAX 952-894-6918  
8401 EAGLE CREEK PARKWAY, STE 700  
SAVAGE, MINNESOTA 55378 USA

8805-000224  
©2007 Chief Manufacturing  
[www.chiefmfg.com](http://www.chiefmfg.com)  
01/07

**! IMPORTANT WARNINGS AND CAUTIONS!**

**WARNING:** A WARNING alerts you to the possibility of serious injury or death if you do not follow the instructions.

**CAUTION:** A CAUTION alerts you to the possibility of damage or destruction of equipment if you do not follow the corresponding instructions.

**WARNING:** Improper installation can result in serious personal injury! Make sure that the structural members can support a redundant weight factor five times the total weight of the equipment. If not, reinforce the structure before installing the mount.

**WARNING:** Be aware also of the potential for personal injury or damage to the unit if it is not adequately mounted.

**WARNING:** The installer is responsible for verifying that the wall to which the mount is anchored will safely support the combined load of all attached components or other equipment.

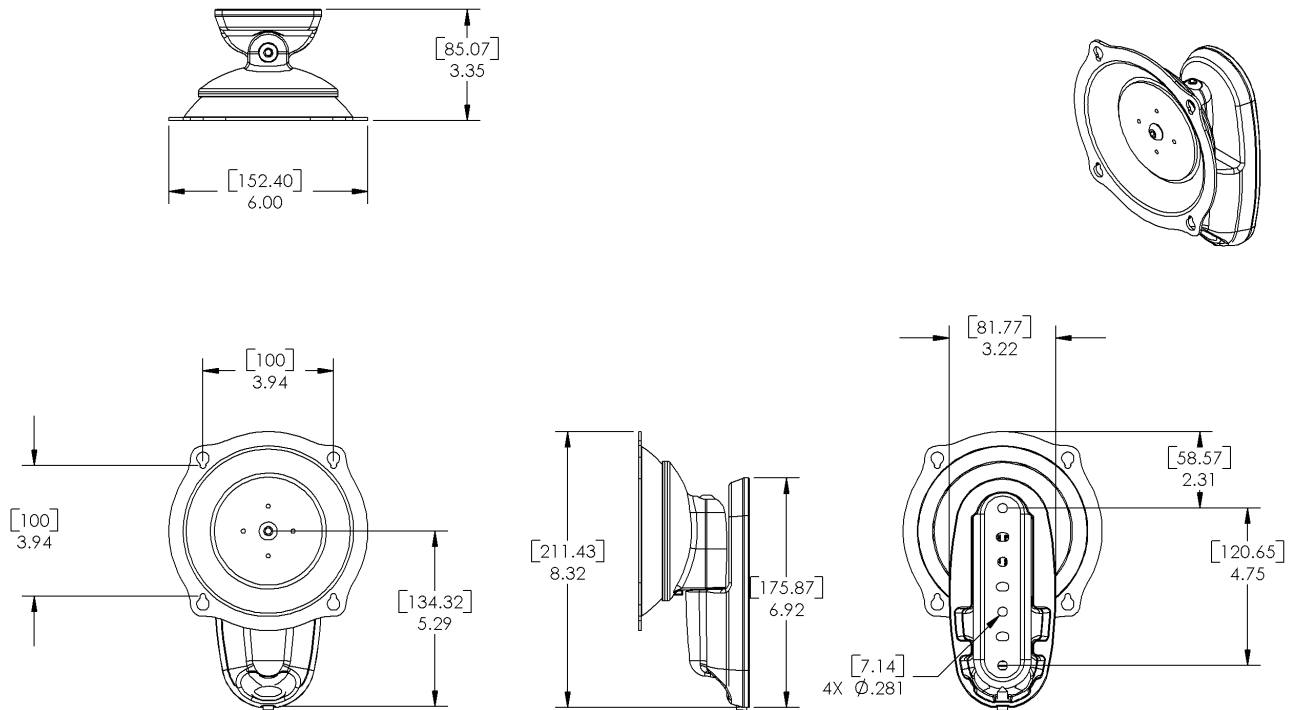
**WARNING:** The weight of the display placed on the mount must not exceed 75 lbs. (34 kg), the maximum load capacity of the mount.

**WARNING:** Watch for pinch points. Do not put your fingers between movable parts.

**WARNING:** Make sure the mount and brackets are correctly oriented.

**CAUTION:** Check the unit for shipping damage before you begin the installation.

**DIMENSIONS**



**CONTENTS**

IMPORTANT WARNINGS AND CAUTIONS! ..... 2  
 DIMENSIONS ..... 2  
 CONTENTS ..... 3  
 TOOLS REQUIRED FOR INSTALLATION ..... 3  
 Inspect The Unit Before Installing ..... 3  
 SPECIFICATIONS ..... 3  
 INTRODUCTION ..... 3  
 PARTS ..... 4  
 PARTS (Continued) ..... 5  
 WALL BRACKET INSTALLATION ..... 6  
 Secure Wall Bracket ..... 6  
 DISPLAY INSTALLATION ..... 6  
 100MM x 100MM VESA pattern ..... 6  
 Flush Mount Display ..... 6  
 Recess Mount Display ..... 7  
 Attach Mount With Display to Wall Bracket .... 7  
 200mm x 200mm and 200mm x 400mm  
 VESA Patterns ..... 8  
 Attach Interface Bracket ..... 8  
 Attach Display to Centris Bracket ..... 8  
 CABLE MANAGEMENT ..... 9  
 ADJUSTMENTS ..... 9  
 LATERAL TENSION ADJUSTMENT ..... 9  
 PITCH ADJUSTMENT ..... 9

**TOOLS REQUIRED FOR INSTALLATION**

- Electric drill and bit set
- Hex wrench set
- Phillips screwdriver
- Level

**NOTE:** Other tools may be required depending on the mounting surface and method of installation.

**Inspect The Unit Before Installing**

**WARNING:** Watch for pinch points. Do not put fingers between movable parts.

1. Carefully inspect the mount for shipping damage. If any damage is apparent, call your carrier claims agent and do not continue with the installation until the carrier has reviewed the damage.

**NOTE:** Read all instructions before starting installation.

2. Lay out components to ensure you have all the required parts before proceeding (see drawing on page 4).

**SPECIFICATIONS**

Table 1 below provides mount specifications.

**Table 1: Specifications**

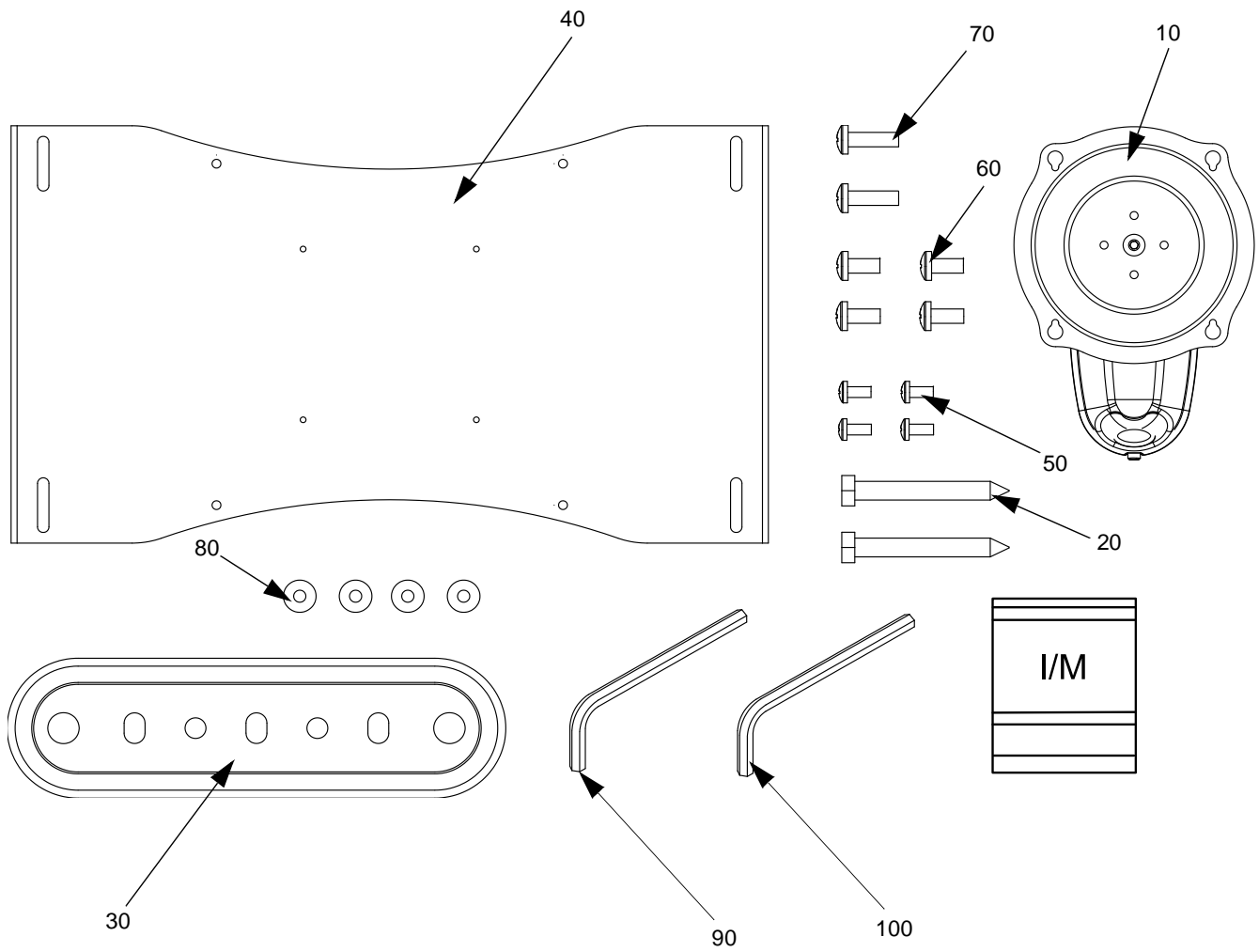
Depth from Wall	3-5/16" (85mm)
Maximum Extension	Not Applicable
Dimensions W x H x D	6" x 8-5/16" x 3-5/16" (152 x 211 x 85mm)
Weight Capacity	75 lbs (34kg)

**INTRODUCTION**

The installation process involves three key steps, as follows:

- Select mounting configuration
  - 100mm x 100mm Centris mounting (flush and recessed)
  - 200mm x 200mm or 200 x 400Centris mounting with interface adapter
- Connect cables
- Make adjustments

**PARTS**



**Figure 1: PARTS**

**PARTS (Continued)**

Table 2 below provides a list of the parts.

**Table 2: Parts**

ITEM NUMBER	DESCRIPTION	QTY	
10	MOUNT	1	
20	3/8" x 3" LAG SCREWS	2	
30	WALL BRACKET	1	
40	INTERFACE BRACKET	1	
50	PHILLIPS PAN HEAD MACHINE SCREW, M4 x 8mm	4	
60	PHILLIPS PAN HEAD MACHINE SCREW, M6 x 30mm	4	USE WITH 80
70	PHILLIPS PAN HEAD MACHINE SCREW, M6 x 45mm	2	USE WITH 80
80	SPACER, NYLON, .875 x .375	4	USE WITH 60 AND 70
90	3/16" HEX KEY	1	
100	5/32" HEX KEY	1	

## WALL BRACKET INSTALLATION

### Secure Wall Bracket

**WARNING:** It is the responsibility of the installer to verify that the surface to which the mount is anchored will safely support the combined load of all attached components and equipment.

To install the mount:

1. Determine the exact mounting location prior to installation, considering the unit's swing and extension radius.
2. Using the wall bracket (30) as a template, mark the two pilot holes for mounting the wall bracket. (see figure 2)
3. Drill two 1/4" pilot holes a minimum depth of 2" into the wood stud.

**NOTE:** Make sure the wall bracket is level before installing the lag bolts.

4. Using a 9/16" socket wrench, install two lag bolts (20) to secure the wall bracket (30) to the wall. Do not overtighten the lag bolts.

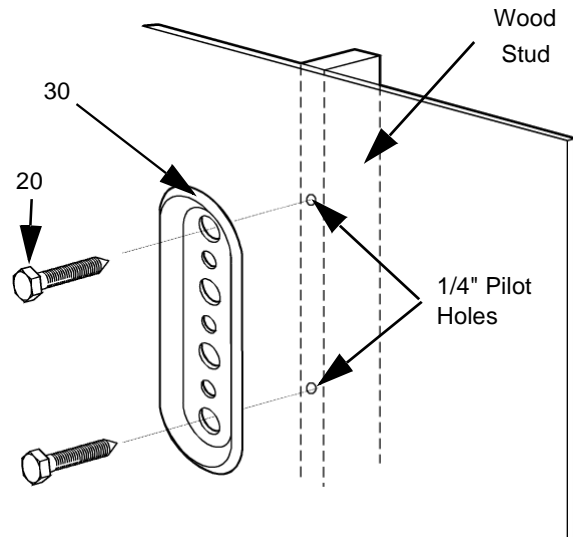
**IMPORTANT ! :** Overtightening lag bolts may cause bracket to compress into soft wall surface, resulting in difficult mount installation or improper engaging of set screw. If this occurs, remove bracket, install 3/8" steel washers as required between bracket and wall surface, and reinstall bracket.

## DISPLAY INSTALLATION

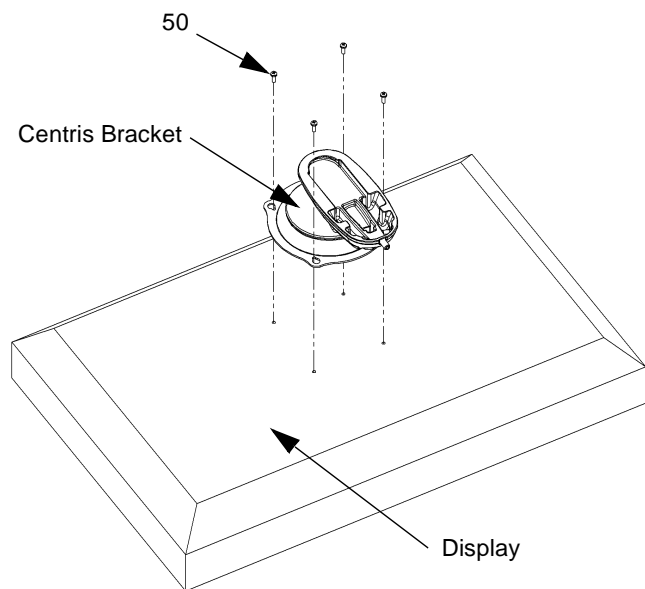
### 100MM x 100MM VESA pattern

#### Flush Mount Display

1. Install two M4 x 8mm screws (50) into the top mounting holes (not shown) on the display .
2. Align the mounting holes on the Centris bracket with the screws installed on the display. Hang the display on the Centris bracket. (see figure 3)
3. Install two remaining M4 x 8mm screws (50) into the bottom mounting holes on the display.



**Figure 2: Secure Wall Bracket**



**Figure 3: Flush Mount Centris Bracket to Display**

### Recess Mount Display

1. Select four M6 screws (60 or 70) and four spacers (80) from parts bag.
2. Place display face down on a clean dry surface.
3. Install four M6 screws (60 or 70) into the four mounting holes on centris bracket.(see figure 4)
4. Slide 4 spacers (80) onto four M6 screws (60 or 70).
5. Align centris bracket, with screws (60 or 60) and spacers (80), with mounting holes in display back.
6. Tighten all screws.

### Attach Mount With Display to Wall Bracket

1. Attach the mount on the wall bracket by aligning the top of the mount (10) with the top of the wall bracket (30). Push the bottom of the mount against the bottom of the wall bracket until the mount fits snugly in place. (see figure 5)
2. Using the 5/32" hex wrench (100), secure the mount to the wall bracket by tightening the set screw (see figure 5). Ensure set screw engages *back* side of bracket to properly secure mount.

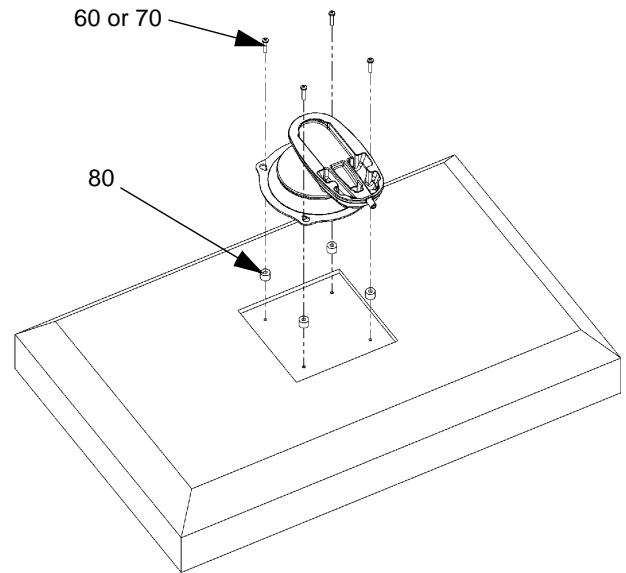


Figure 4: Attach Interface Bracket to Display

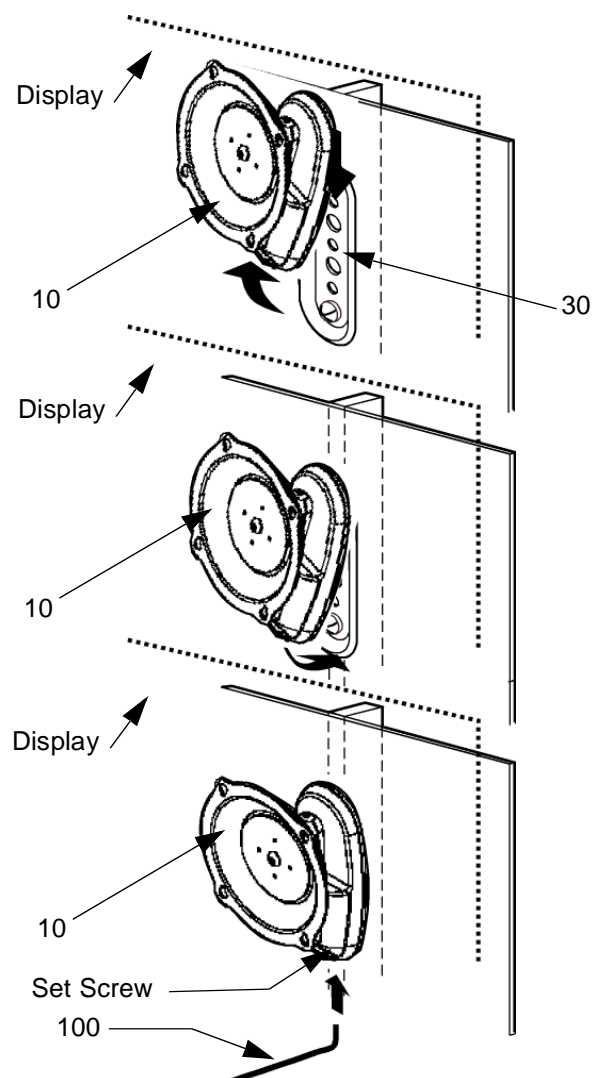


Figure 5: Attach Mount to Wall Bracket

## 200mm x 200mm and 200mm x 400mm VESA Patterns

### Attach Interface Bracket

1. Select four M6 screws (60 or 70) and four spacers (80) from parts bag.
2. Place display face down on a clean dry surface.
3. Install four M6 screws (60 or 70) into the four mounting holes on the interface bracket (40). (see figure 6)

**NOTE:** Some displays may require the use of (70) in place of (60) in the top two mounting holes.

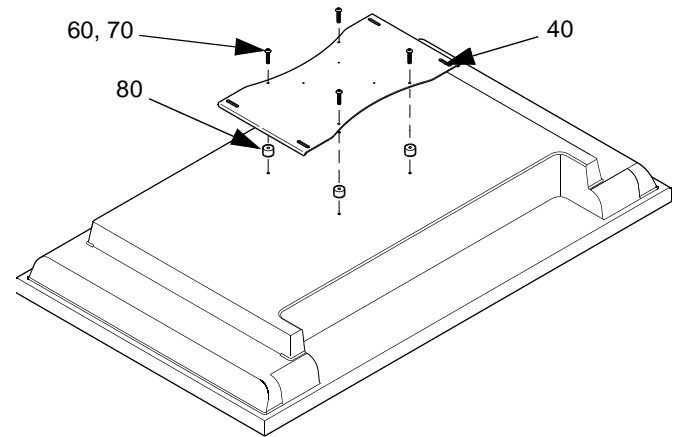
4. Slide four spacers (80) onto four M6 screws (60 or 70).

**NOTE:** The arrow on the interface bracket (40) must point toward the top of the display.

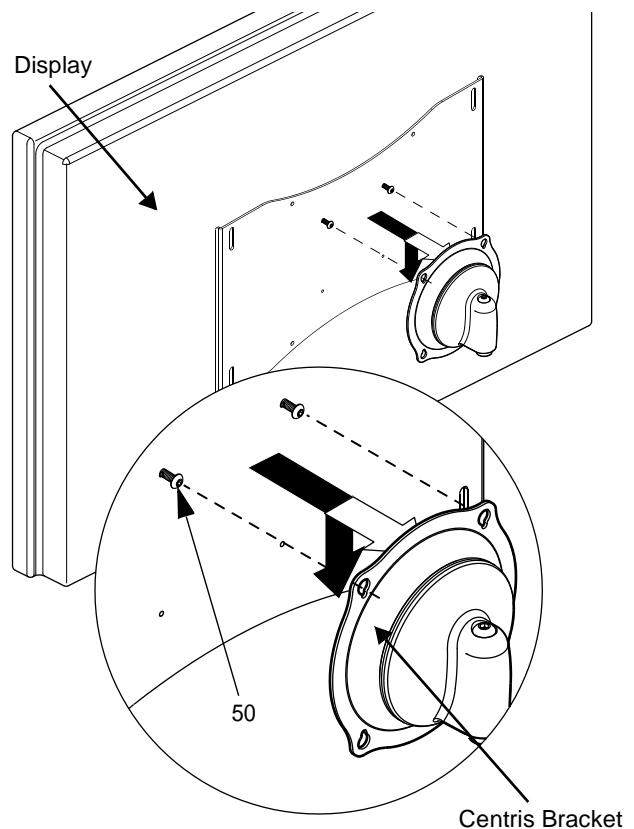
5. Align interface bracket (40), with screws (60 or 70) and spacers (80), with mounting holes in display back.
6. Tighten all screws.

### Attach Display to Centris Bracket

1. Start two M4 x 8mm Phillips pan head screws (50) into the top two mounting holes of the previously attached interface bracket. (see figure 7)
2. Hang the mount from the two screws (50) started in Step 1. (see figure 7)
3. Install the remaining two M4 x 8mm Phillips pan head screws (50) into the bottom two mounting holes of the display. (see figure 8)
4. Secure the display to the mount (Centris bracket) by tightening all four M4 x 8mm Phillips pan head screws (50). (see figure 7) and (see figure 8)

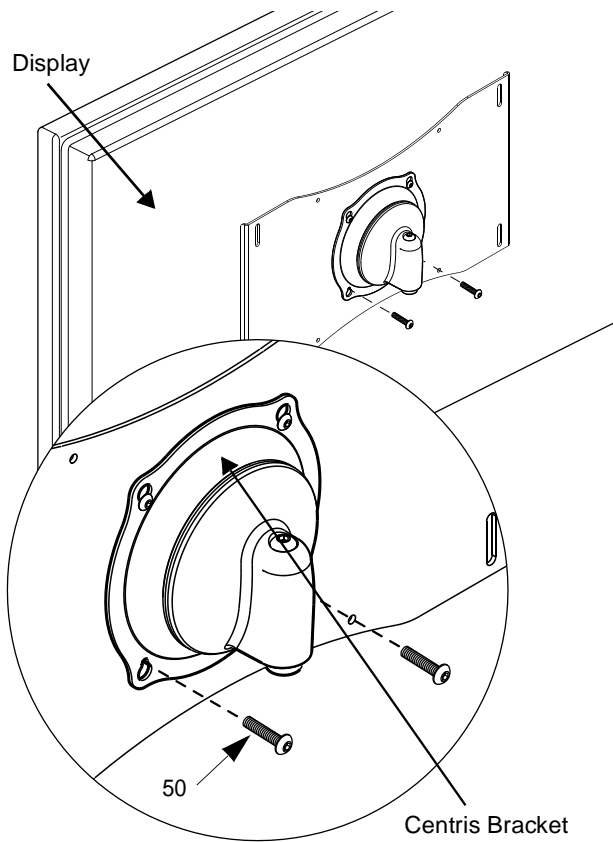


**Figure 6: Attach Interface Bracket to Display**



**Figure 7: Attach Display to Centris Bracket**





**Figure 8: Attach Display to Centris Bracket**

ensure that the screw is tight. (see figure 10)

2. If needed, use a 3/16" hex wrench (90) to tighten the screw.

**CABLE MANAGEMENT**

**WARNING:** Make sure your cables do not run through a pinch point.

1. Connect and secure power/audio/video cables.
2. Leave sufficient slack in cables to allow for movement of the display.

**ADJUSTMENTS**

**LATERAL TENSION ADJUSTMENT**

**CAUTION:** Overtightening adjustment will cause excessive wear.

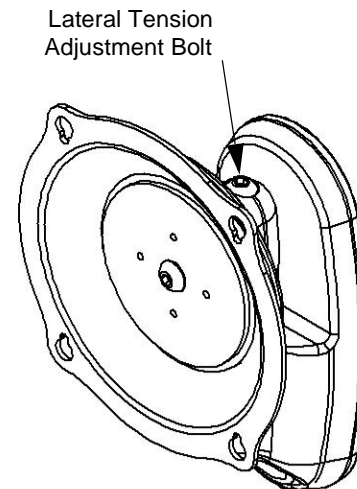
1. Using a 3/16" hex wrench (90), slightly tighten or loosen lateral tension adjustment bolt . (see figure 9)
2. Check for desired tension.
3. Repeat Steps 1 and 2 until desired tension is obtained.

**PITCH ADJUSTMENT**

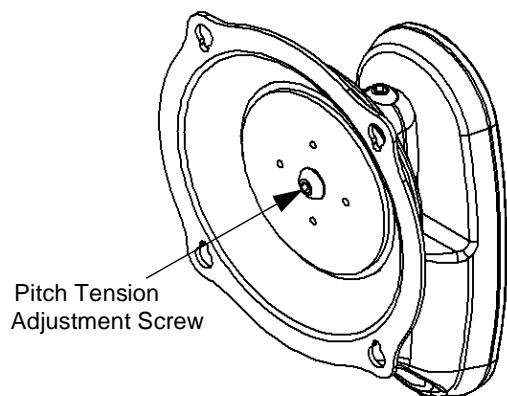
**CAUTION:** Overtightening adjustment screw will cause excessive wear.

**NOTE:** Remove display to make pitch adjustment.

1. Check adjustment screw on the Centris interface to



**Figure 9: Lateral Tension Adjustment**



**Figure 10: Pitch Adjustment**