
INSTALLATION INSTRUCTIONS

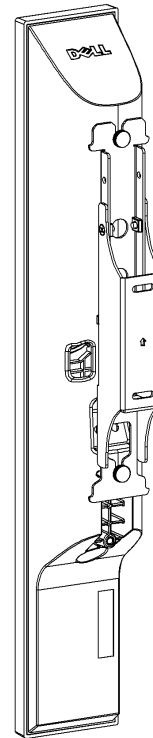
Speaker Wall Mount (MSP-DCCSPK)

The speaker wall mount is a convenient mounting solution for speakers that are compatible with flat panel displays.

The speaker wall bracket is equipped with an adjustable bracket that accommodates a variety of four speaker sizes.

The speaker wall mounts are installed in a fixed position on the wall. First, wall-mount the speaker wall brackets. Next, align the mounting holes on the adjustment brackets to match the speaker size. Lastly, connect the audio cables.

The speaker mounts are typically aimed toward the listening audience to provide balanced sound, audio depth, and a clean look.



BEFORE YOU BEGIN

- **CAUTION:** To prevent damage to the mount, which could affect or void the Factory warranty, thoroughly study all instructions and illustrations before you begin to install the mount. Pay particular attention to the “Important Warnings and Cautions” on Page 2.
- If a defect is discovered after Dell’s initial 21-day Customer Satisfaction period, Chief Mfg. will, at its option, repair or replace the product at no charge provided it is returned during the warranty period. Please note contact information for Chief Mfg. listed below.
- Did you know that home consumers can purchase professional Plasma TV installation services through Dell? Through our third-party providers we offer home installation options ranging from simple unboxing and audio/visual component hookup to a Premier TV Installation with wall mount and professional installation of up to 5 home theater or surround-sound speakers. If you have purchased a Plasma TV Installation offer through Dell, a third-party installation provider should contact you to schedule your installation. If you need to schedule this service, please call 1-800-897-1582. If you would like to purchase installation services for your new Dell Plasma TV and have not already done so, please contact Dell sales at 1-800-915-3355. If you have purchased an installation package, but would like to upgrade your installation service, please call Dell Consumer Customer Care at 1-800-624-9897.



IMPORTANT WARNINGS AND CAUTIONS!

WARNING: A **WARNING** alerts you to the possibility of serious injury or death if you do not follow the instructions.

CAUTION: A **CAUTION** alerts you to the possibility of damage or destruction of equipment if you do not follow the corresponding instructions.

WARNING: **Improper installation can result in serious personal injury! Make sure that the structural members can support a redundant weight factor *five times the total weight of the equipment*. If the members cannot support this weight, reinforce the members before installing the mount.**

CAUTION: Inspect the unit for shipping damage. See “SPEAKER WALL MOUNT PARTS” on page 3.

TOOLS REQUIRED FOR INSTALLATION

- Phillips screwdriver, No. 2
- Drill and drill bits

NOTE: Other tools may be required depending on the method of installation.

INSPECT COMPONENTS

Inspect the speaker wall mount, as follows:

1. Carefully inspect the speaker mounting hardware kit for shipping damage. If any damage is apparent, call your carrier claims agent and do not continue with the installation until the carrier has reviewed the damage.

NOTE: Read all instructions before starting installation.

2. Lay out components to ensure you have all the required parts before proceeding. See “SPEAKER WALL MOUNT PARTS” on page 3.

CONTENTS

IMPORTANT WARNINGS AND CAUTIONS! 2

TOOLS REQUIRED FOR INSTALLATION 2

INSPECT COMPONENTS 2

SPEAKER WALL MOUNT PARTS 3

SPEAKER DIMENSIONS 4

INSTALL SPEAKER WALL BRACKETS..... 5

 Wood Screw Installation Instructions (Option A) 5

 Steel Stud / Dry Wall Installation Instructions (Option B) 6

INSTALL SPEAKERS..... 7

 Speakers with Four Thumb Screws 7

 Speakers with Two Thumb Screws..... 7

SPEAKER REMOVAL INSTRUCTIONS 8

 Speakers with Four Thumb Screws 8

 Speakers with Two Thumb Screws..... 8

SPEAKER WALL MOUNT PARTS

ITEM	DESCRIPTION	QTY
10	SPEAKER, Adjustment Bracket	2
20	SPEAKER, Wall Bracket	2
30	SCREW, Phillips Head, 10-24 x 1-1/2"	4
40	SCREW, Wood, #10 Round Head	4
50	SCREW, Thumb, 1/4" x .375"	4
60	SCREW, Thumb, M4 x 8mm	8
70	SCREW, Phillips Flat Head, 8-32 x .375"	4
80	NUT, Square 8-32	4
90	WASHER, #10	4
100	ANCHOR, Snap Toggle	4
110	O-RING, Rubber, 1/4" Inside Diameter	4
120	O-RING, Rubber, 5/32" Inside Diameter	8

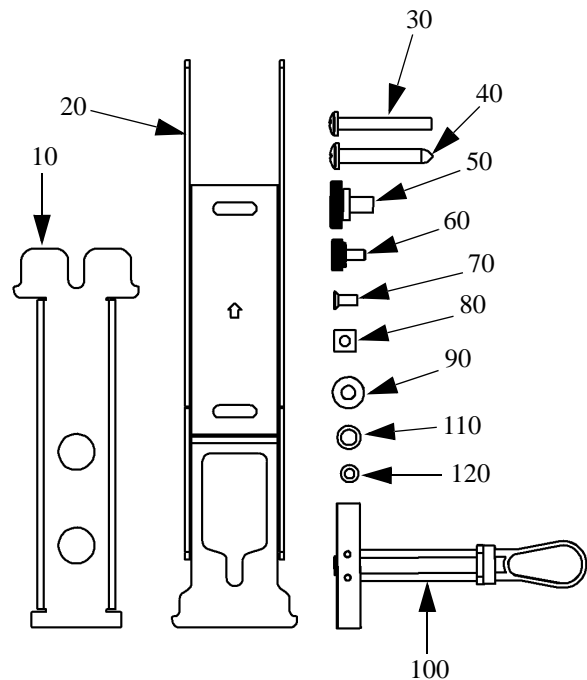


Figure 1. Speaker Mounting Hardware

SPEAKER DIMENSIONS

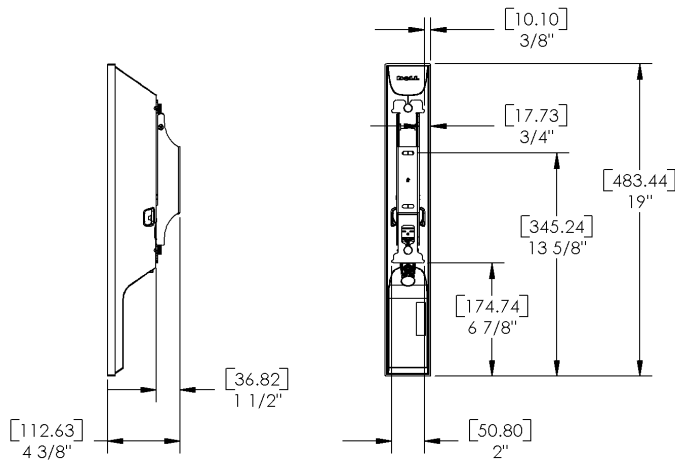


Figure 2. Dimensions for 32" Speaker

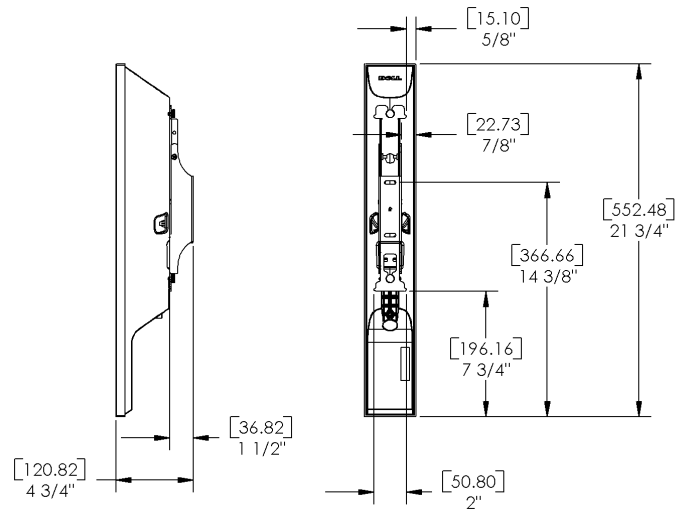


Figure 3. Dimensions for 37" Speaker

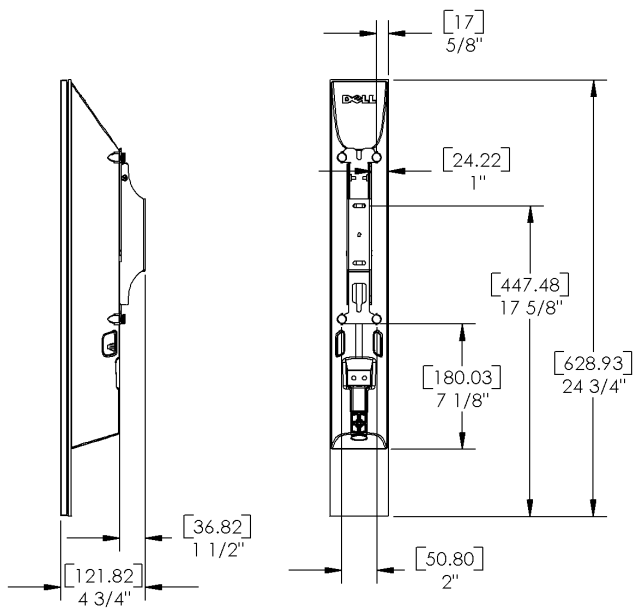


Figure 4. Dimensions for 42" Speaker

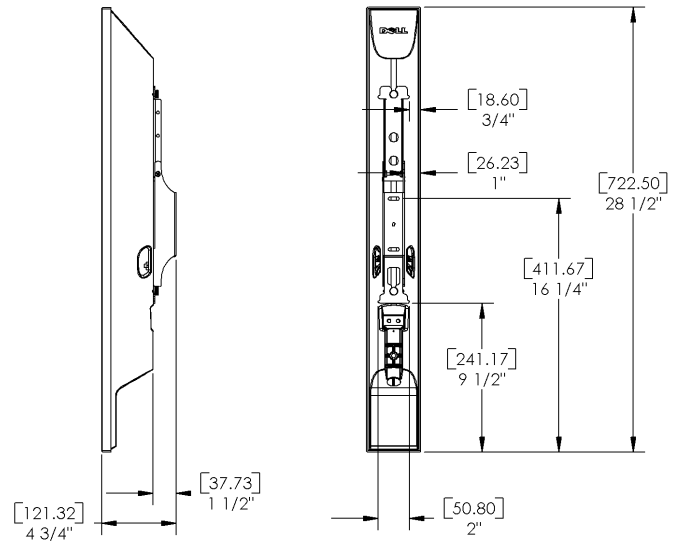
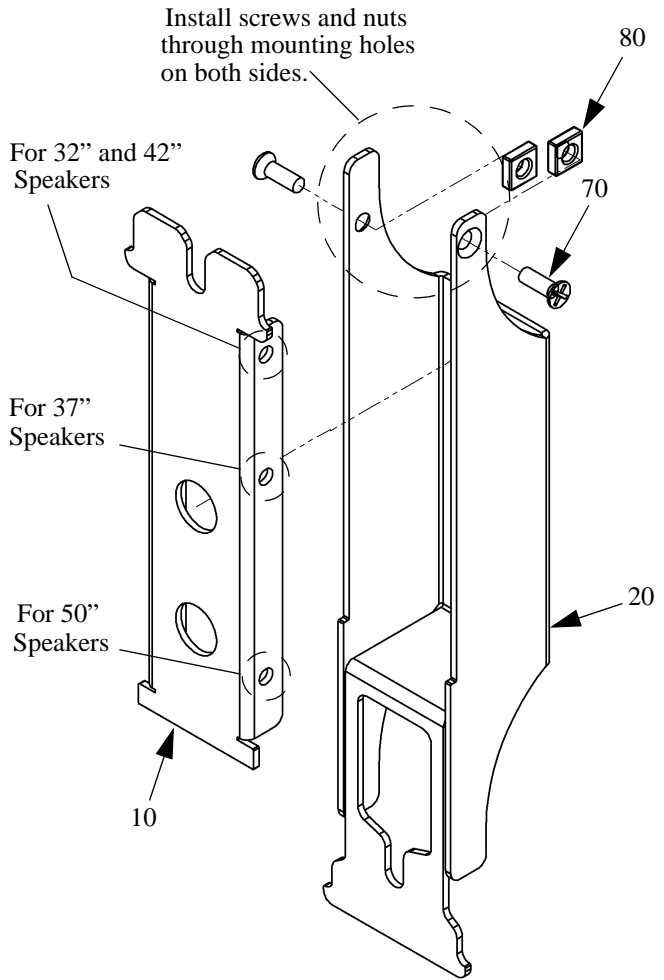


Figure 5. Dimensions for 50" Speaker

ASSEMBLE SPEAKER BRACKETS

Assemble the speaker brackets as follows:

1. If necessary, refer to “SPEAKER DIMENSIONS” on page 4 to determine the size of your speakers.
2. Locate two speaker adjustment brackets (10), two speaker wall brackets (20), four Phillips flat head screws (70), and four square nuts (80). See Figure 6.
3. Depending on the size of your speaker, locate the pair of mounting holes on speaker adjustment bracket (10) for your speaker size.
4. Insert the speaker adjustment bracket (10) in the speaker wall bracket (20) and align the mounting holes.
5. Install two Phillips flat head screws (70), and two square nuts (80) to assemble the brackets (10 and 20) as shown in Figure 6.
6. Repeat Step 4 and Step 5 to assemble the second speaker wall bracket (20).



INSTALL SPEAKER WALL BRACKETS

Select one of the following options to install the two speaker wall brackets:

- Wood Screw Installation Instructions (Option A)
- Steel Stud / Dry Wall Installation Instructions (Option B)

Wood Screw Installation Instructions (Option A)

Install the speaker wall bracket as follows:

WARNING: It is the responsibility of the installer to verify that the structure to which the speaker wall bracket is anchored safely supports the speaker and all attached components.

1. Determine a suitable mounting location(s) for each speaker.
2. Using the speaker wall bracket (20) as a template, level the unit and mark the location of the two mounting holes.
3. Drill two pilot holes for anchoring the wall bracket. If drilling into wood studs, use a 1/8” drill bit. See Figure 7.
4. Using two #10 wood screws (40) and two #10 washers (90), install the wall bracket on the wall.
5. Repeat the procedure to install the second speaker wall bracket (20).

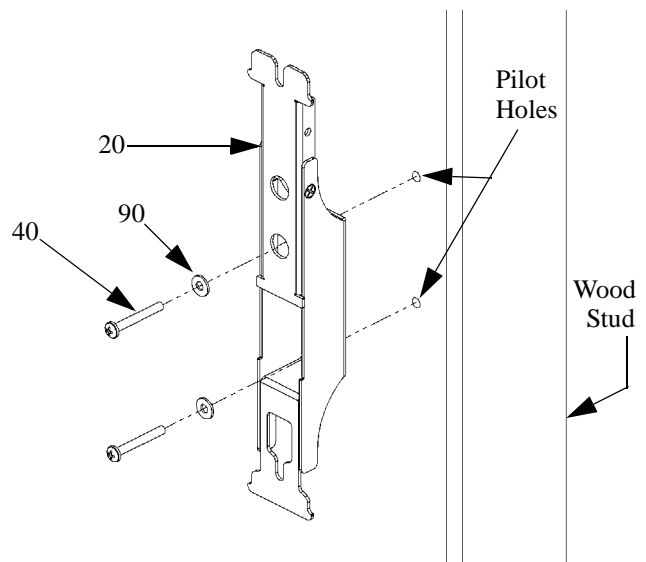


Figure 6. Assemble Speaker Brackets

Figure 7. Install Speaker Wall Bracket On Wood Stud

Steel Stud / Dry Wall Installation Instructions (Option B)

Install the speaker wall bracket as follows:

WARNING: It is the responsibility of the installer to verify that the structure to which the speaker wall bracket is anchored safely supports all attached components.

1. Determine a suitable mounting location(s) for each speaker.
2. Using the speaker wall bracket (20) as a template, mark the location of the two mounting holes.
3. Drill a 1/2" hole at the desired location, making sure wall is at least 1/2" thick. If the wall is made with metal studs, it is recommended to install the anchor through the drywall and the metal stud (see Figure 8).
4. With plastic anchor (100) inserted in hole, slide finger grip together to turn end inside hole perpendicular to wall (see Figure 9).
5. Slide plastic ring of anchor to the surface of the wall (see Figure 10).
6. Split finger grip ends apart to break plastic ends off flush with plastic ring of anchor (see Figure 11).
7. Repeat steps 1 through 6 to install the remaining anchor.
8. Using two #10 Phillips head screws (30) and two flat washers (90), secure the speaker wall bracket to the wall (see Figure 12).
9. Repeat the procedure to install the second wall bracket (20).

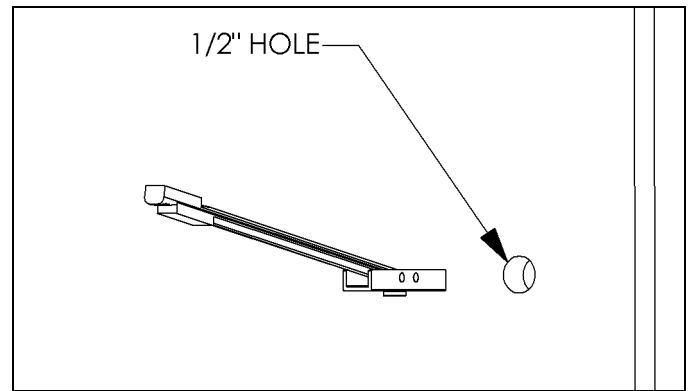


Figure 8.

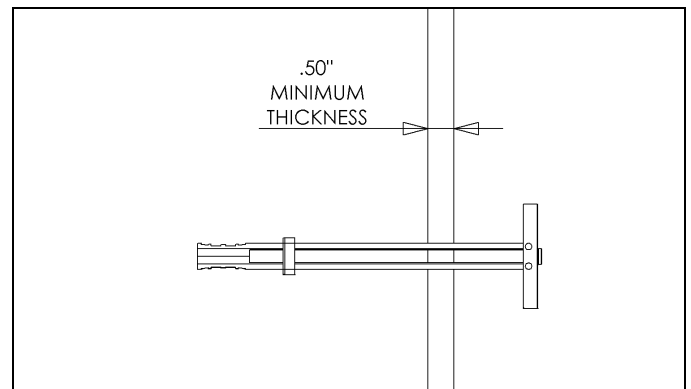


Figure 9.

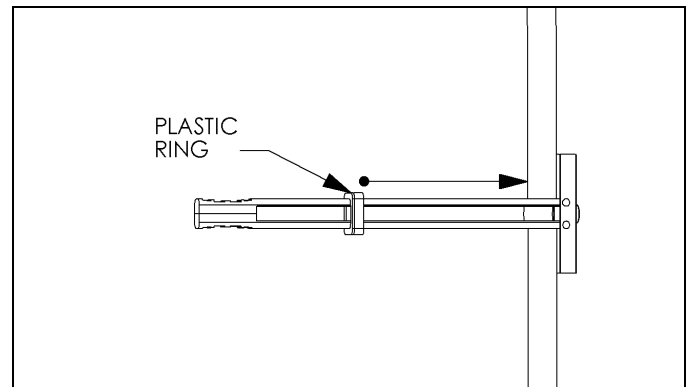


Figure 10.

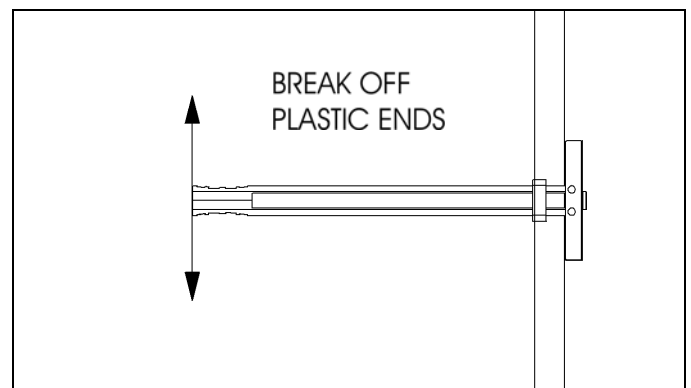


Figure 11.

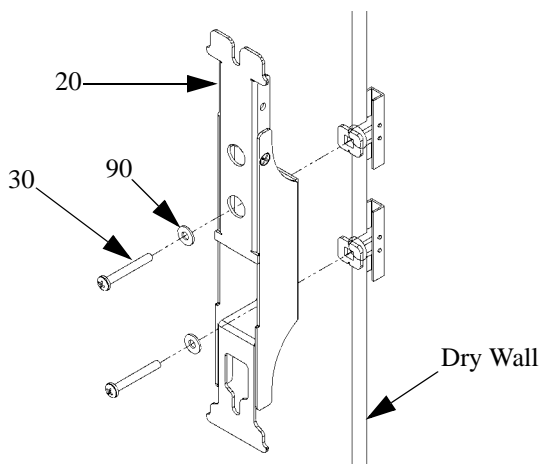


Figure 12. Install Speaker Wall Bracket On Steel Stud / Dry Wall

INSTALL SPEAKERS

Select one of the following options to install the two speakers on the wall brackets:

- Speakers with Four Thumb Screws
- Speakers with Two Thumb Screws

Speakers with Four Thumb Screws

Install the speaker on the wall bracket as follows:

NOTE: Make sure to install an O-ring (120) between the speaker and wall bracket (20). The thumb screws (50) hold the speaker in place.

1. Install four thumb screws (60) into the threaded holes on the speaker. Do not tighten the thumb screws at this point. (see Figure 13).
2. Connect audio wires to speaker (not supplied) at this point.

WARNING: Exercise caution when installing the speaker onto the wall bracket to avoid equipment damage or personal injury.

3. Place the speaker on the wall bracket (20), making sure each thumb screw is seated under the four curved slots on the bracket.
4. Finger tighten the four thumb screws (60) to hold the speaker in place.
5. Repeat the procedure to install the second speaker.

Speakers with Two Thumb Screws

Install the speaker on the wall bracket as follows:

NOTE: Make sure to install an O-ring (110) between the speaker and wall bracket (20). The thumb screws (50) hold the speaker in place.

1. Install two thumb screws (50) and two O-rings (110) into the threaded holes on the speaker. Do not tighten the thumb screws at this point. (see Figure 14).

WARNING: Exercise caution when installing the speaker onto the wall bracket to avoid equipment damage or personal injury.

2. Connect audio wires to speaker (not supplied) at this point.
3. Place the speaker on the wall bracket (20), making sure each thumb screw is seated in the U-shaped slots in the center of the bracket.
4. Finger tighten the two thumb screws (50) to hold the speaker in place.
5. Repeat the procedure to install the second speaker.

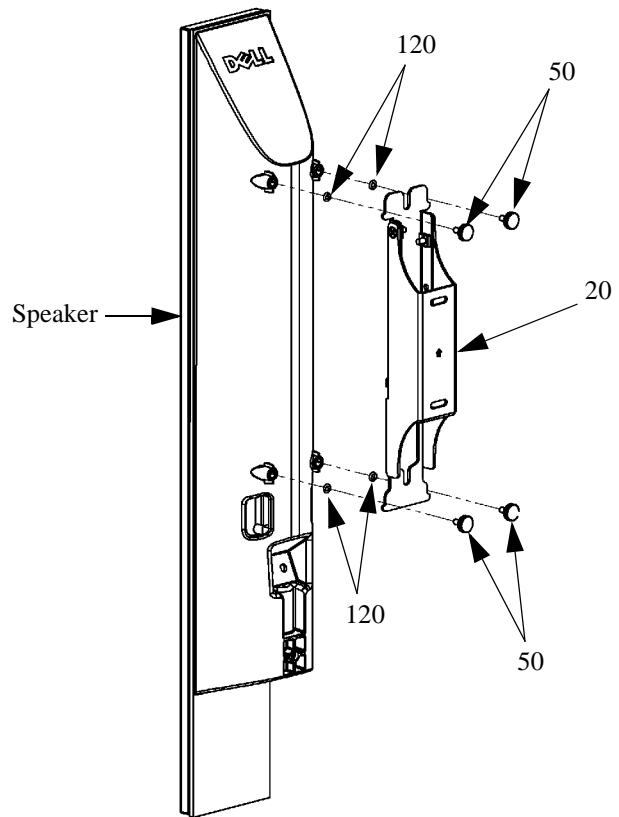


Figure 13. Install Speaker Using Four Thumb Screws

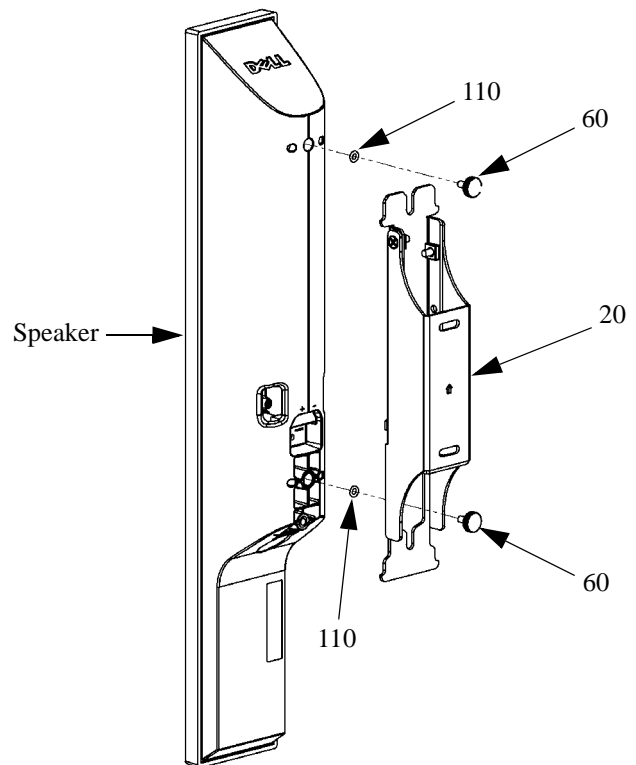


Figure 14. Install Speaker Using Two Thumb Screws

SPEAKER REMOVAL INSTRUCTIONS

To perform service on the speaker, remove the speaker from the wall as follows:

Speakers with Four Thumb Screws

NOTE: Loosen the thumb screws (60) to detach the speaker from the wall bracket. Do not remove the thumb screws from the speaker.

1. While holding the speaker with one hand, loosen the four thumb screws (60) that attach the speaker to the wall bracket (20). See Figure 15.

WARNING: Exercise caution when removing the speaker from the wall bracket to avoid equipment damage or personal injury.

2. Lift the speaker up and off the wall bracket to remove the speaker.
3. Disconnect audio wires to speaker at this point.
4. If needed, repeat the procedure to remove the second speaker.

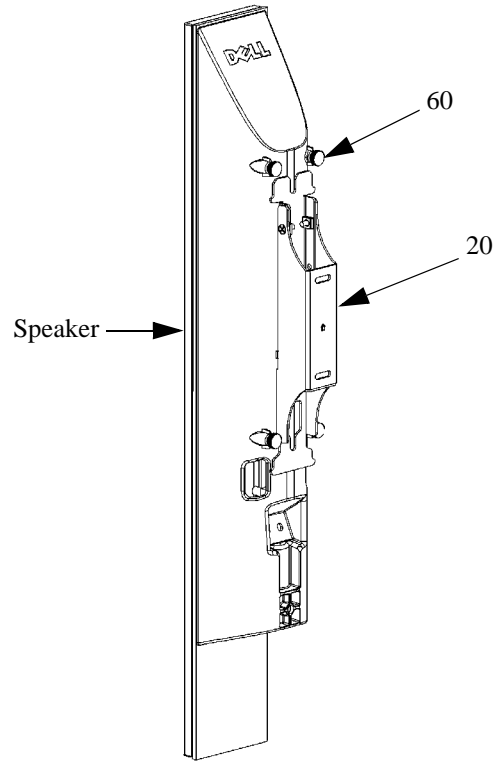


Figure 15. Loosen Four Thumb Screws to Remove Speaker

Speakers with Two Thumb Screws

1. While holding the speaker with one hand, remove the two thumb screws (50) and O-rings (110, not shown) that attach the speaker to the wall bracket (20). See Figure 16.

WARNING: Exercise caution when removing the speaker from the wall bracket to avoid equipment damage or personal injury.

2. Remove the speaker.
3. Disconnect audio wires to speaker at this point.
4. If needed, repeat the procedure to remove the second speaker.

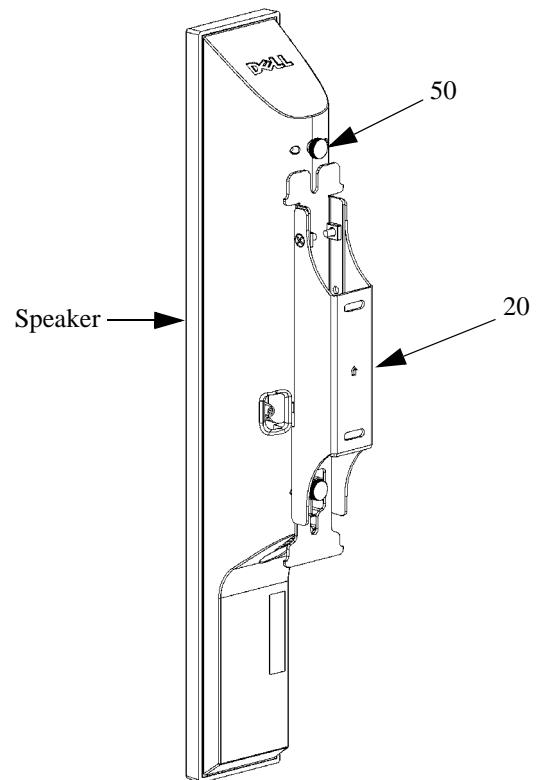


Figure 16. Loosen Two Thumb Screws to Remove Speaker