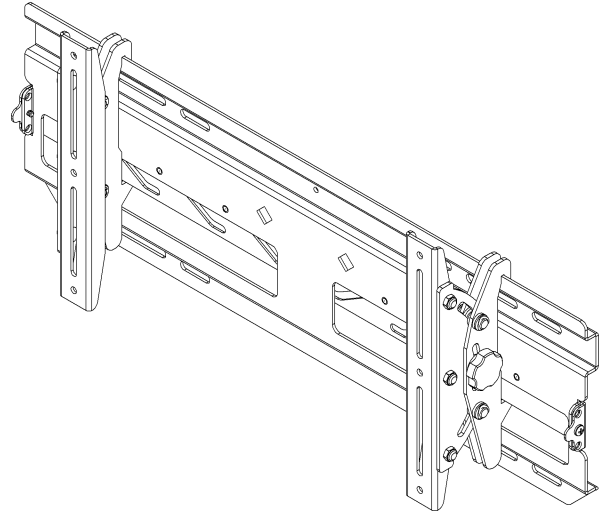

INSTALLATION INSTRUCTIONS

PART #MSP-DCCST Flat Panel Tilt Mount

The Flat Panel Tilt Mount is a quick disconnect mounting solution for flat panel displays. The mount features adjustability between 0 and 15 degrees of tilt.

Once the tilt brackets are attached to your display, simply install the mount on a wall, lock the display in place, and attach your audio/video cables.



BEFORE YOU BEGIN

- **Caution:** To prevent damage to the mount, which could void factory warranty and affect the attached equipment, thoroughly study all instructions and illustrations before you begin the installation. Pay particular attention to the “Important Warnings and Precautions” on Page 3.
- If a defect is discovered after Dell’s initial 21-day Customer Satisfaction period, Chief Mfg. will, at its option, repair or replace the product at no charge provided it is returned during the warranty period. Please note contact information for Chief Mfg. listed below.



CHIEF MANUFACTURING INC.
1-800-582-6480 952-894-6280 FAX 952-894-6918
8401 EAGLE CREEK PARKWAY
SAVAGE, MINNESOTA 55378 USA

chiefeurope@chiefmfg.com

8805-000223
©2007 Chief Manufacturing
www.chiefmfg.com
01/07



IMPORTANT WARNINGS AND PRECAUTIONS!

- WARNING:** A **WARNING** alerts you to the possibility of serious injury or death if you do not follow the instructions.
- CAUTION:** A **CAUTION** alerts you to the possibility of damage or destruction of equipment if you do not follow the corresponding instructions.
- **WARNING:Improper installation can result in serious personal injury! Make sure that the structural members can support a weight factor *five times* the total weight of the equipment. If not, reinforce the structure before installing the mount.**
 - **WARNING:The weight of the display placed on the mount must not exceed 175 lbs. (79.38 kg), the maximum load capacity of the mount.**
 - **CAUTION:** Check the unit for shipping damage. See “PARTS LIST” on page 3.

TOOLS REQUIRED FOR INSTALLATION

- Socket Set (1/2” Socket)
- Phillips screwdriver, No. 2

NOTE: Other tools may be required depending on the method of installation.

CONTENTS

IMPORTANT WARNINGS AND CAUTIONS!	2
TOOLS REQUIRED FOR INSTALLATION	2
PARTS LIST	3
INSPECT THE UNIT BEFORE INSTALLING	4
INSTALL INTERFACE BRACKETS ON DISPLAY	4
INSTALL WALL PLATE.....	5
Lag Bolt Installation Instructions (Option A).....	5
Concrete Installation Instructions (Option B)	6
Steel Stud Instructions (Option C)	7
INSTALL DISPLAY.....	8
DISPLAY REMOVAL INSTRUCTIONS.....	9

PARTS LIST

ITEM	DESCRIPTION	QTY	ITEM	DESCRIPTION	QTY
10	PLATE, Wall	1	80	BOLT, Lag, 5/16"	4
20	BRACKET, Interface (Right)	1	90	WASHER, 5/16"	4
30	BRACKET, Interface (Left)	1	100	ANCHOR, Snap Toggle	4
40	SCREW, Phillips, M6 x 12	6	110	SCREW, Phillips, 1/4-20 x 1.75"	4
50	WASHER, Flat, 1/4"	4	120	ANCHOR, Toggle, 5/16 Alligator	4
70	SCREW, Self-Tapping	2	130	SCREW, Phillips pan head machine, M6x20mm	4
			140	SCREW, Phillips pan head machine, M6x35mm	2

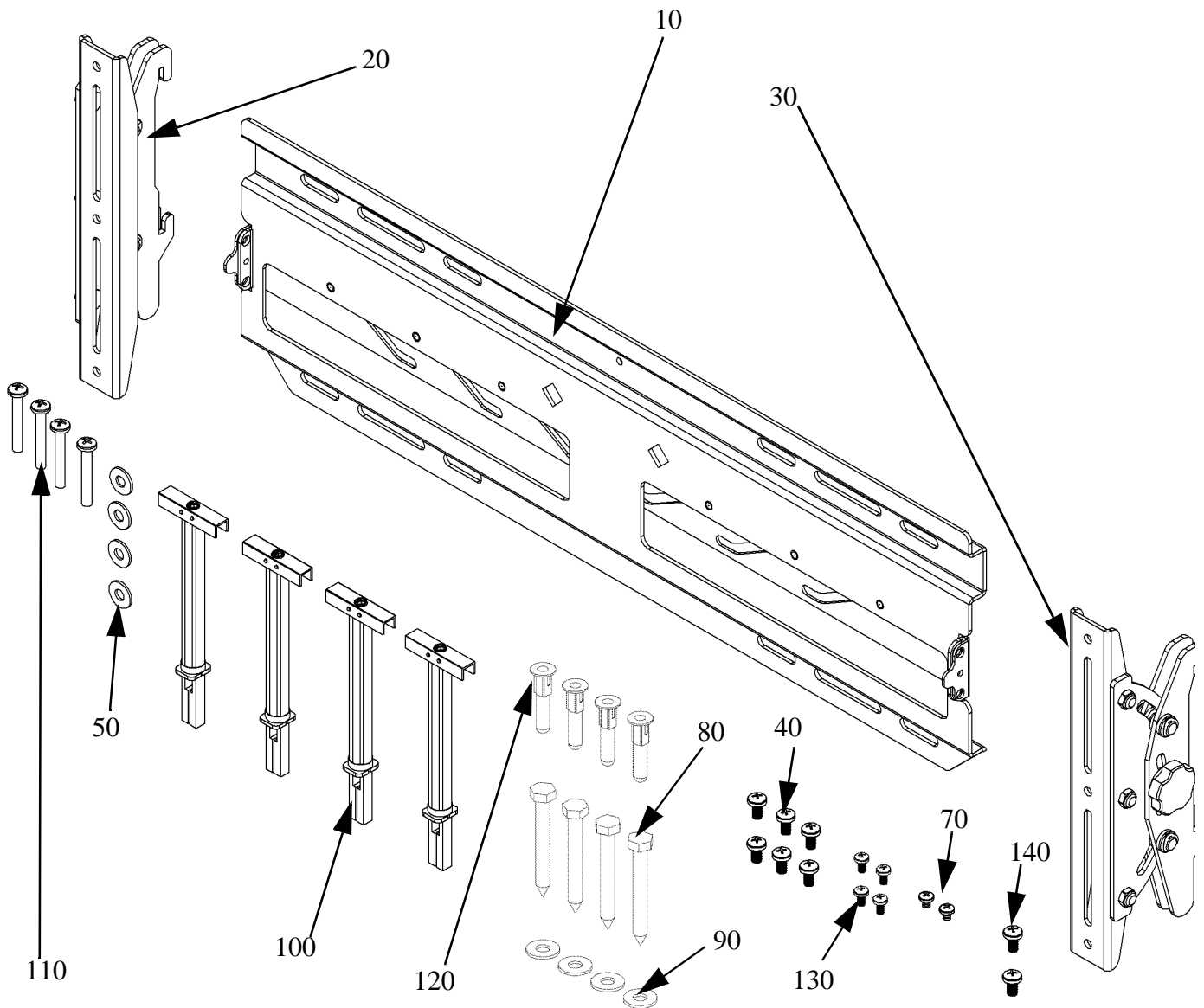


Figure 1. Tilt Display Mount Parts

INSPECT THE UNIT BEFORE INSTALLING

1. Carefully inspect the mount for shipping damage (see Figure 1). If any damage is apparent, call your carrier claims agent and do not continue with the installation until the carrier has reviewed the damage.

NOTE: Read all instructions before starting installation.

2. Lay out components to ensure you have all the required parts before proceeding. See “PARTS LIST” on page 3.

INSTALL INTERFACE BRACKETS ON DISPLAY

Install the interface brackets as follows:

1. Place the interface brackets (20 and 30) on the back of the display, aligning the holes with the mounting inserts (See Figure 2).
2. Secure the left and right interface bracket assemblies (20 and 30) to the display using screws (40) or (130).

NOTE: (140) may need to be used in the top 2 holes on some displays.

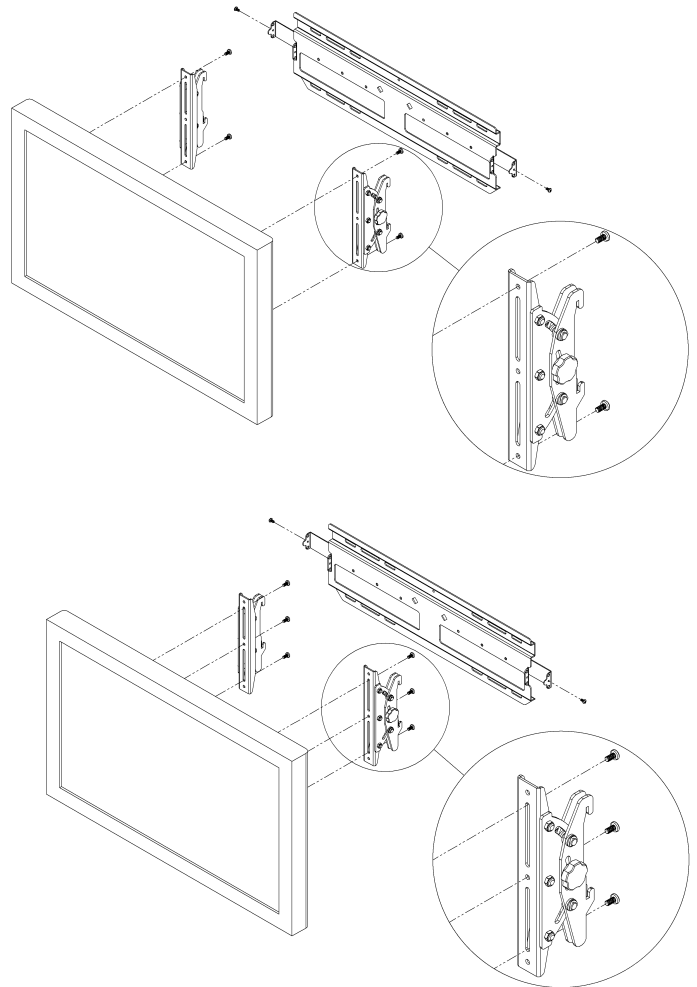


Figure 2. Install Brackets on Display

INSTALL WALL PLATE

Select one of the following options to Install the wall plate:

- Lag Bolt Installation Instructions (Option A)
- Concrete Installation Instructions (Option B)
- Steel Stud Wall Installation Instructions (Option C)

Lag Bolt Installation Instructions (Option A)

Install the wall plate as follows:

WARNING: It is the responsibility of the installer to verify that the structure to which the mount is anchored will safely support five times the combined load of all attached components and equipment.

1. Determine a suitable mounting location and lift the wall plate (10) into place (refer to "PARTS LIST" on page 3 and Figure 3).
2. Using a small nail or screw (not provided) in the center hole, lightly support the wall plate at the mounting location.
3. Level the wall plate (10) and drill pilot holes for anchoring the wall plate. If drilling into wood studs, use a 15/64" drill bit.
4. Using four 5/16" lag bolts (80) and 5/16" washers (90), install the wall plate on the wall.
5. Slide the latches to the outside.

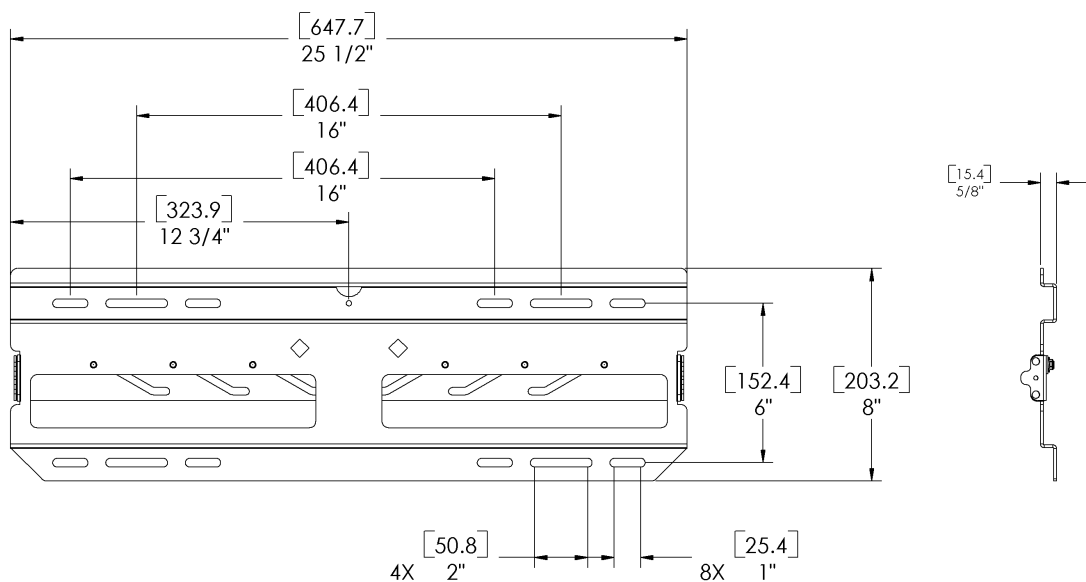


Figure 3. Lag Bolt Installation

Concrete Installation Instructions (Option B)

Install the wall plate as follows:

WARNING: It is the responsibility of the installer to verify that the structure to which the mount is anchored will safely support five times the combined load of all attached components and equipment.

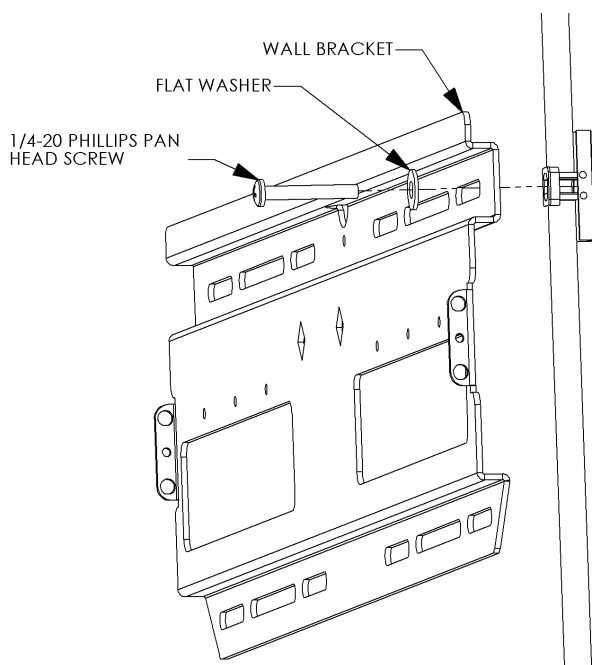
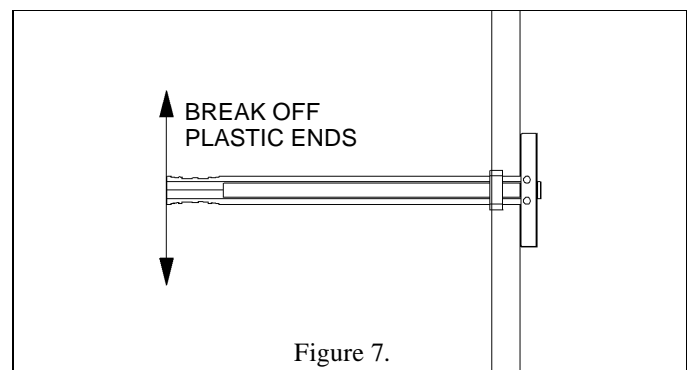
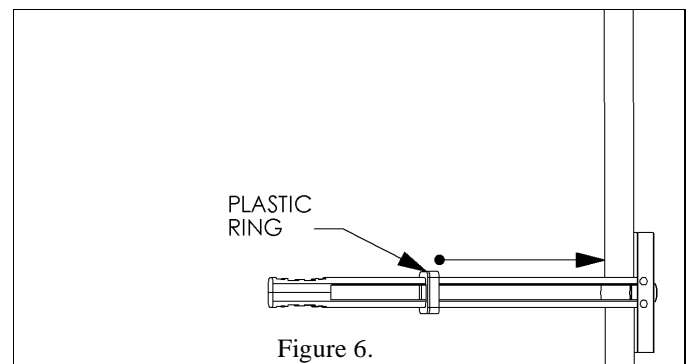
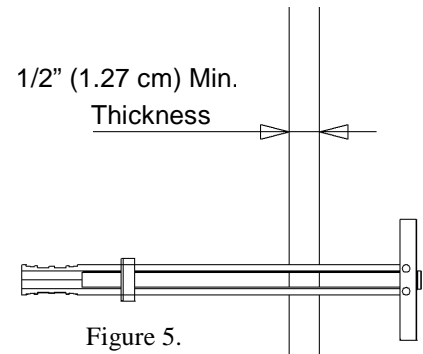
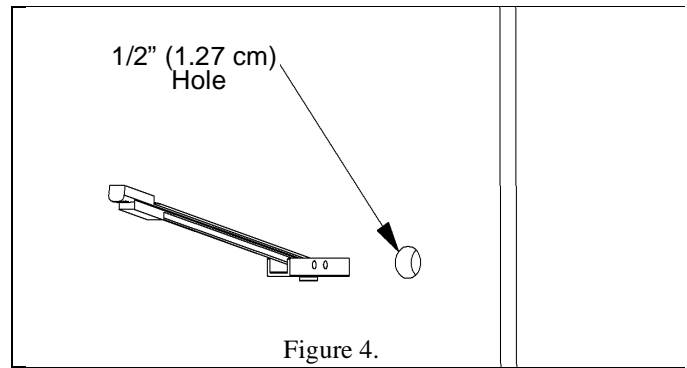
1. Determine a suitable mounting location and lift the wall plate (10) into place (refer to “PARTS LIST” on page 3).
2. Draw a level plumb line to indicate the desired height of the mount.
3. Holding the wall plate against the concrete wall, making sure the the mounting holes are level.
4. Drill four 5/16” holes into the concrete surface at the marked locations.
5. Install the four 5/16” alligator toggle anchors (120) in the holes.
6. Using four 5/16” lag bolts (80) and 5/16” washers (90), secure the wall plate to the wall.
7. Slide the latches to the outside.

Steel Stud Installation Instructions (Option C)

Install the wall plate as follows:

WARNING: It is the responsibility of the installer to verify that the structure to which the mount is anchored will safely support five times the combined load of all attached components and equipment.

1. Determine a suitable mounting location and lift the wall plate (10) into place (refer to "PARTS LIST" on page 3).
2. Drill a 1/2" hole at the desired location, making sure wall is at least 1/2" thick. If the wall is made with metal studs, it is recommended to install the anchor through the dry-wall and the metal stud (see Figure 4).
3. With plastic anchor (100) inserted in hole, slide finger grip together to turn end inside hole perpendicular to wall (see Figure 5).
4. Slide plastic ring of anchor to the surface of the wall (see Figure 6).
5. Split finger grip ends apart to break off plastic ends flush with plastic ring of anchor (see Figure 7).
6. Using the outermost mounting holes of the mount as a template, repeat steps 1 through 5 for the remaining anchors.
7. Using the 1/4-20 Phillips head screws (110) and flat washers (50), secure the mount to the wall (see Figure 8).



INSTALL DISPLAY

Install the display as follows:

1. Place the display on the wall plate (10) by hooking the hooks of the brackets (20 and 30) in the top of the wall plate (see Figure 10).
2. Secure the display by sliding the latches, one on each side, inward (see Figure 10).
3. If desired, install self tapping screws (70) and/or padlocks (not provided) for additional security (see Figure 9).
4. Tilt the display up or down as desired.
5. Tighten knobs to achieve the desired tension.

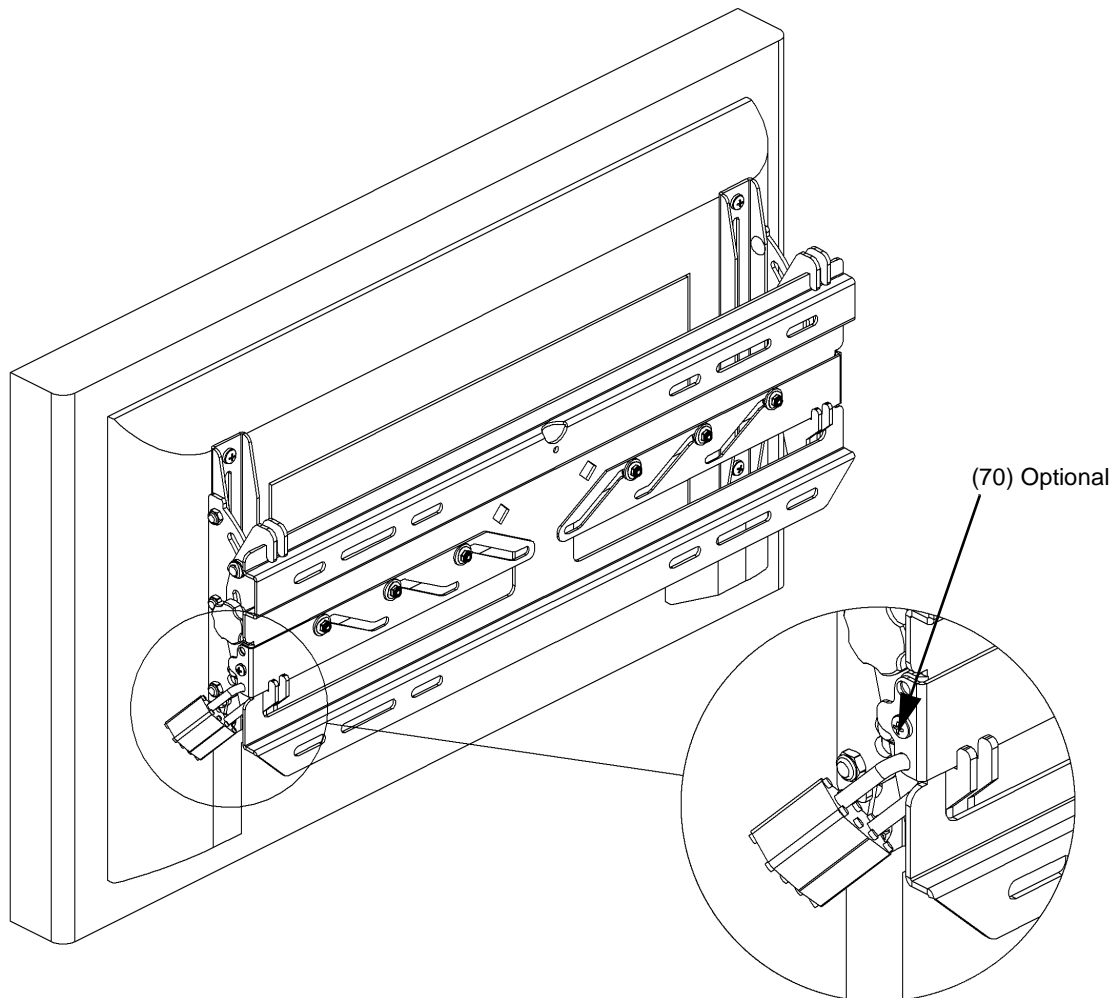


Figure 9. Install Display

DISPLAY REMOVAL INSTRUCTIONS

To perform service on the display, remove the display from the wall plate as follows:

WARNING: Disconnect power and audio/video cables before removing the display from its wall mount.

1. If applicable, remove the self tapping screws (70) and/or padlocks from both sides of the wall plate. This hardware provides security (see Figure 10).
2. Slide the security latches out on both sides to disengage the display from the wall plate (see Figure 10).

WARNING: The plasma display is heavy and extremely fragile. Exercise caution when removing the display from the mount to avoid equipment damage or personal injury.

3. With an assistant, lift the display up and off the wall plate (see Figure 11) to remove the display from the wall.

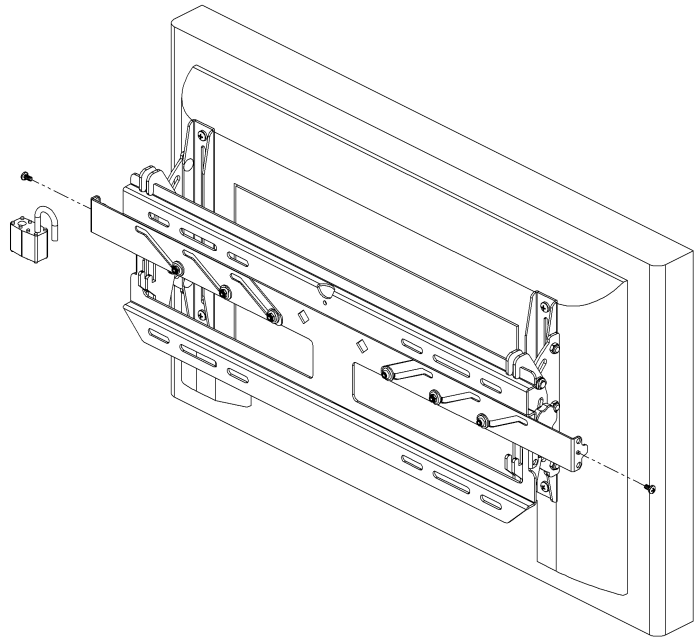


Figure 10. Remove Security Hardware

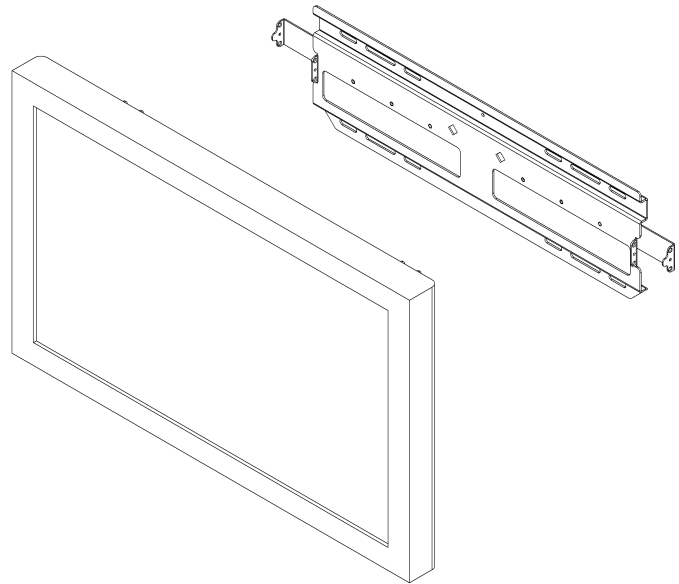


Figure 11. Remove Display