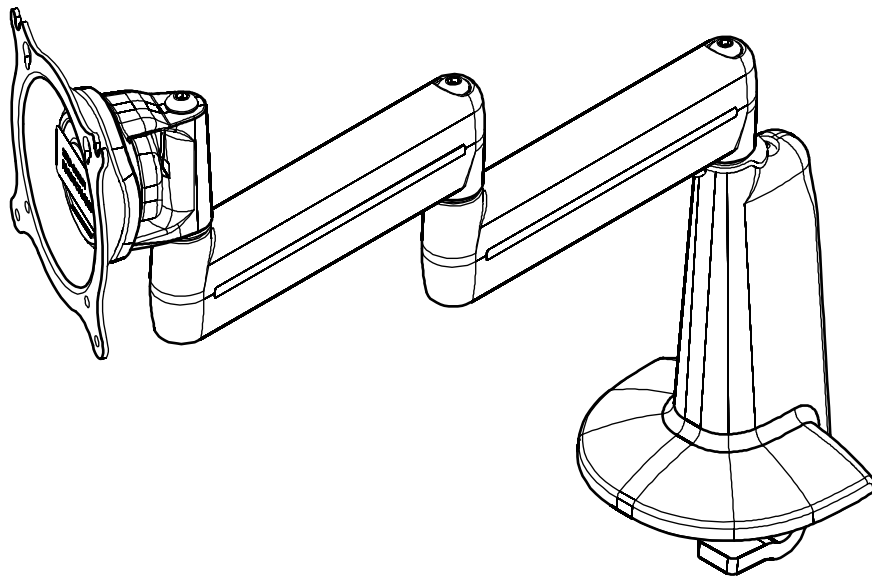


---

# INSTALLATION INSTRUCTIONS

---



---

**Dual Arm Desk Mount**

---

---

**CHIEF®**

**MSP-DDKCD110**

---

**DISCLAIMER**

CSAV, Inc., and its affiliated corporations and subsidiaries (collectively, "CSAV"), intend to make this manual accurate and complete. However, CSAV makes no claim that the information contained herein covers all details, conditions or variations, nor does it provide for every possible contingency in connection with the installation or use of this product. The information contained in this document is subject to change without notice or obligation of any kind. CSAV makes no representation of warranty, expressed or implied, regarding the information contained herein. CSAV assumes no responsibility for accuracy, completeness or sufficiency of the information contained in this document.

**! IMPORTANT WARNINGS AND CAUTIONS!**

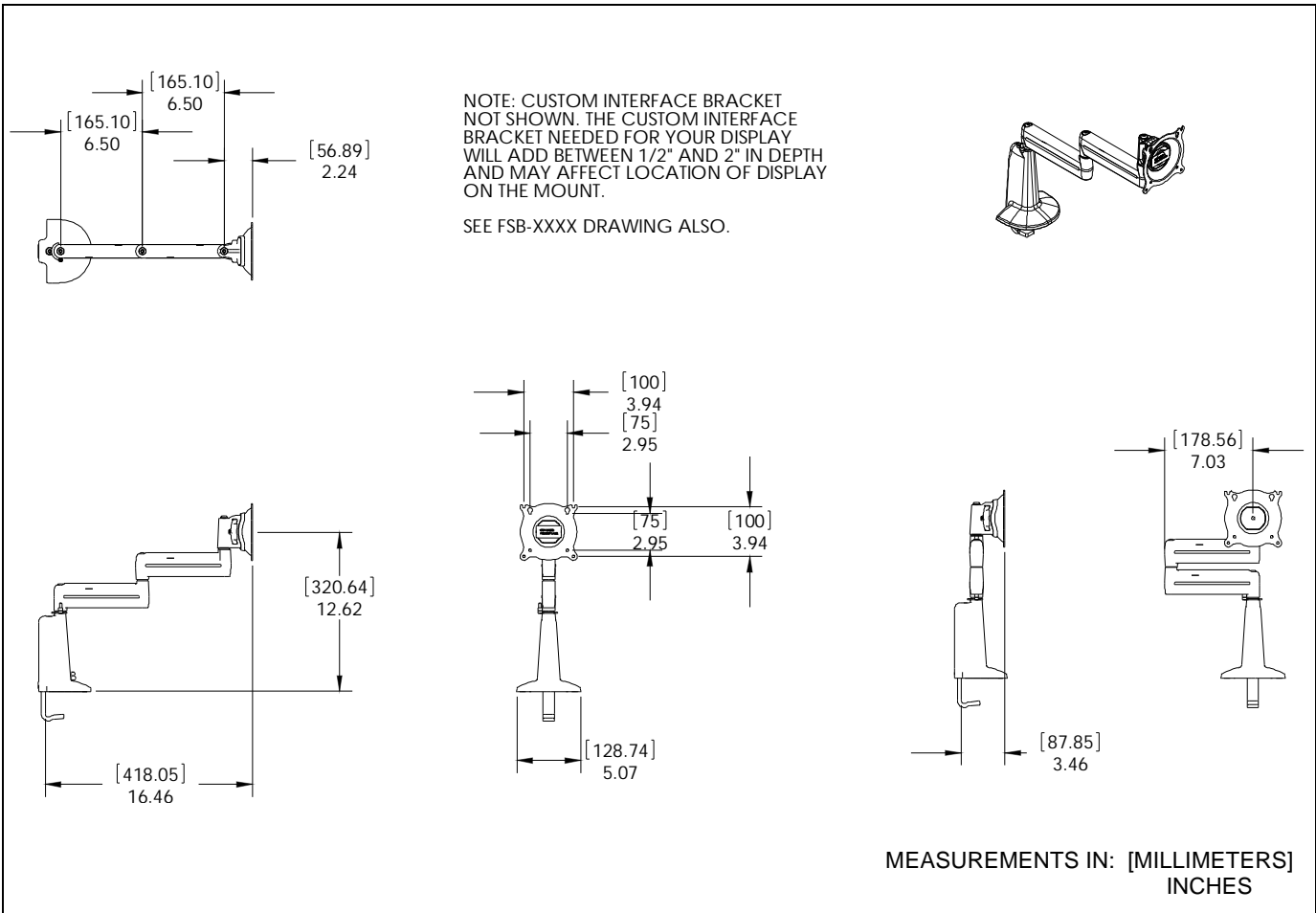
**! WARNING:** A WARNING alerts you to the possibility of serious injury or death if you do not follow the instructions.

**! CAUTION:** A CAUTION alerts you to the possibility of damage or destruction of equipment if you do not follow the corresponding instructions.

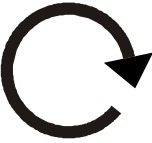
**! WARNING:** Failure to read, thoroughly understand, and follow all instructions can result in serious personal injury, damage to equipment, or voiding of factory warranty! It is the installer's responsibility to make sure all components are properly assembled and installed using the instructions provided.


**! WARNING:** Exceeding the weight capacity can result in serious personal injury or damage to equipment! It is the installer's responsibility to make sure the combined weight of all components attached to this accessory does not exceed 40 lbs (18.14 kg).


**DIMENSIONS**





**LEGEND**

	<b>Tighten Fastener</b>
	Apretar elemento de fijación
	Befestigungsteil festziehen
	Apertar fixador
	Serrare il fissaggio
	Bevestiging vastdraaien
Serrez les fixations	

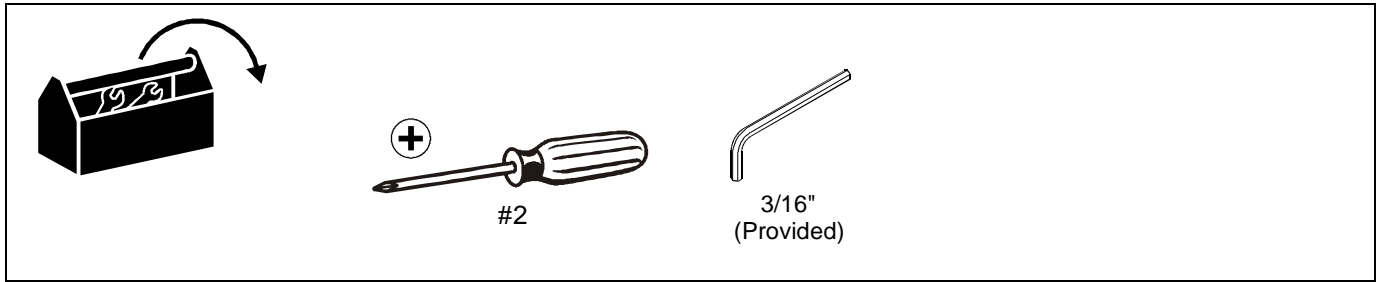
	<b>Adjust</b>
	Ajustar
	Einstellen
	Ajustar
	Regolare
	Afstellen
Ajuster	

	<b>Loosen Fastener</b>
	Aflojar elemento de fijación
	Befestigungsteil lösen
	Desapertar fixador
	Allentare il fissaggio
	Bevestiging losdraaien
Desserrez les fixations	

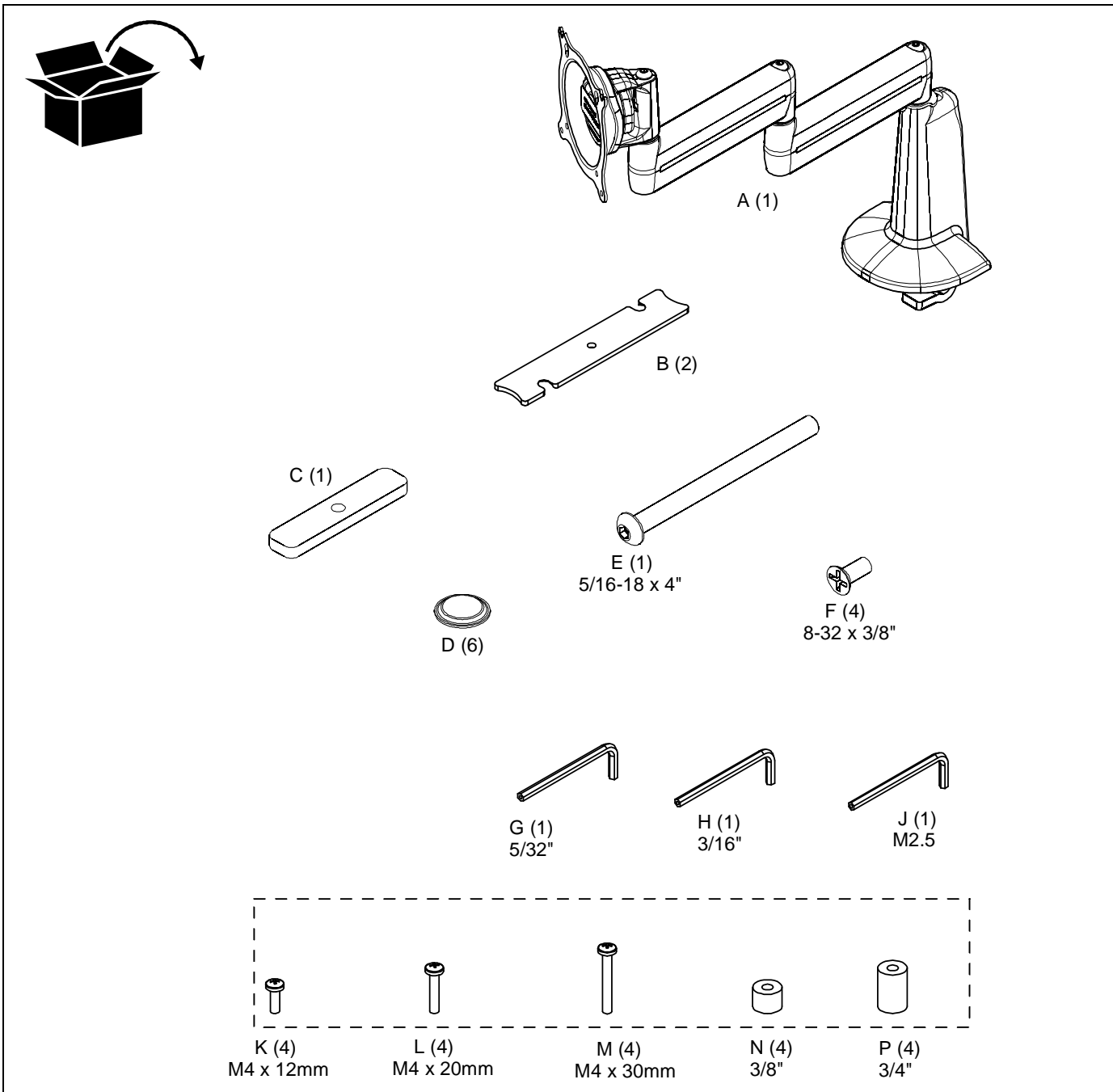
	<b>Hex-Head Wrench</b>
	Llave de cabeza hexagonal
	Sechskantschlüssel
	Chave de cabeça sextavada
	Chiave esagonale
	Zeskantsleutel
Clé à tête hexagonale	

	<b>By Hand</b>
	A mano
	Von Hand
	Com a mão
	A mano
	Met de hand
À la main	

### TOOLS REQUIRED FOR INSTALLATION



### PARTS



## INSTALLATION

Two installation options exist:

- Edge Installation
- Hole (Grommet) Installation; requires 3/8" to 3" diameter hole and access to the bottom of the desk

### ASSEMBLY

1. Determine approximate location for mount keeping in mind display size, extension, height adjustment (if applicable), and pitch/roll requirements.
2. Peel backing from adhesive bumpers (D) and attach to bottom of mount (A) (See Figure 1).

**NOTE:** One extra bumper (D) included for convenience.

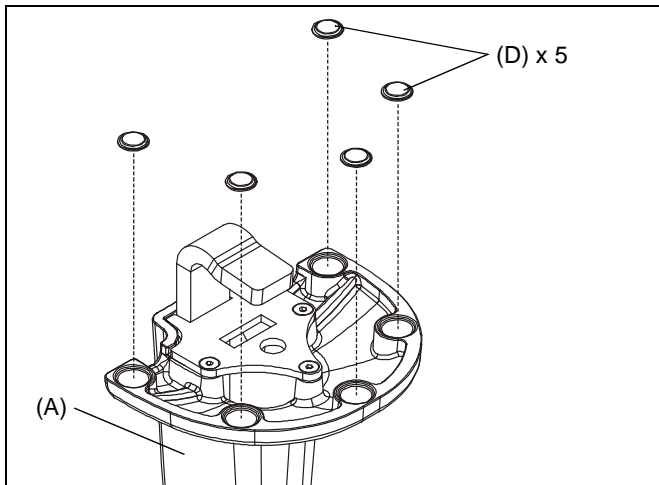


Figure 1

### EDGE INSTALLATION

**IMPORTANT ! :** IF you will be installing a SINGLE display with RECESSED mounting holes, then proceed to **Display Installation** section *before continuing* with this mount installation procedure.

**NOTE:** Bracket (C) and screw (E) are not used in this installation.

1. Slip mount (A) over edge of desk so that clamp fully contacts desk edge. Using 3/16" hex key (H), securely tighten clamp adjustment screw. (See Figure 2)

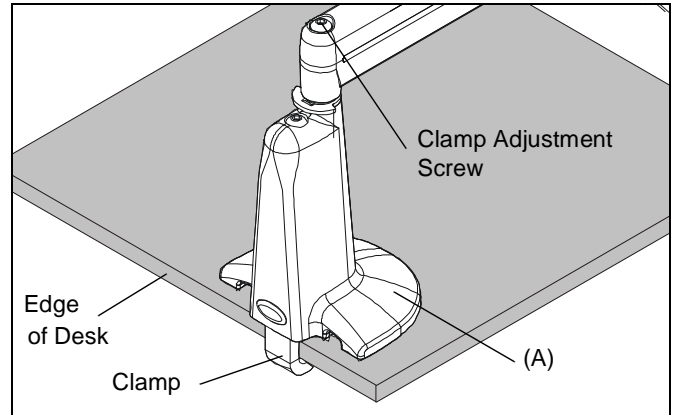


Figure 2

2. If you are installing:
  - SINGLE display with RECESSED mounting holes: Proceed to **Cable Management** section.
  - ALL other display configurations: Proceed to **Display Installation** section.

### HOLE (GROMMET) INSTALLATION

1. Using 2.5mm hex key (J), remove and retain baseplate and three attach screws from bottom of mount (A). (See Figure 3)

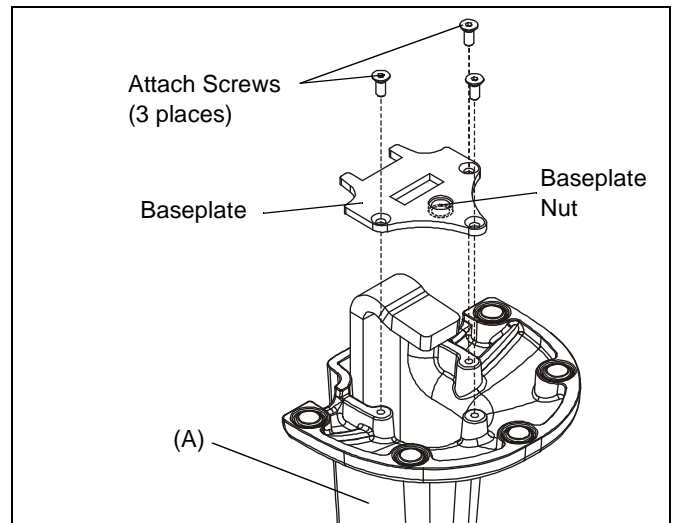


Figure 3

2. Using 3/16" hex key (H), remove clamp adjustment screw, washer, and clamp (See Figure 4). Retain clamp adjustment screw and washer for later use.

**NOTE:** Clamp will not be used for Hole (Grommet) Installation.

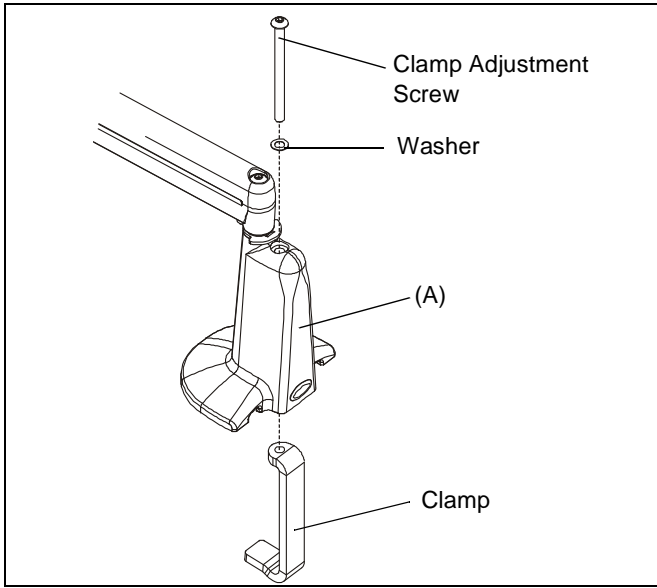


Figure 4

- Using 2.5mm hex key, re-install baseplate with three retained attach screws. Ensure baseplate nut faces *interior* of mount (See Figure 3). Tighten securely.

**IMPORTANT !** : IF you will be installing a SINGLE display with RECESSED mounting holes, then proceed to **Display Installation** section *before continuing* with this mount installation procedure.

- From below desk, insert retained clamp adjustment screw and washer through bracket (C) and up through hole in desk (See Figure 5). Using 3/16" hex key (H), thread screw into baseplate nut but do not tighten completely at this time.

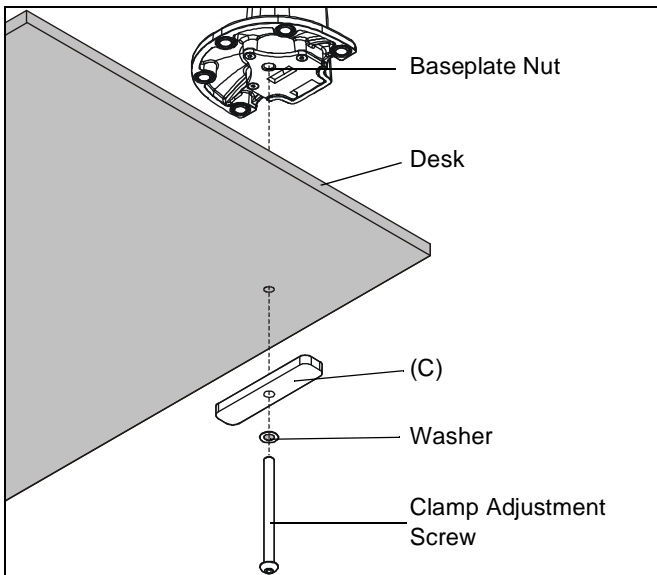


Figure 5

- Center mount (A) over hole. Using 3/16" hex key (H), securely tighten screw.

- Drop clamp adjustment screw into open (unused) clamp adjustment hole on top of mount (for appearance only).
- If you are installing:
  - SINGLE display with RECESSED mounting holes: Proceed to **Cable Management** section.
  - ALL other display configurations: Proceed to **Display Installation** section.

## DISPLAY INSTALLATION

The mounting holes on the back of the display will be *flush with* the back surface, or *recessed into* the back. Refer to the applicable installation procedure below.

**NOTE:** Ensure Centris Turntite head is able to swivel and tilt easily, yet still be tight enough to hold display in desired position. Adjust as required before proceeding. See **Adjustments** section for details.

### Flush Display Installation



**CAUTION:** IMPROPER INSTALLATION CAN LEAD TO DISPLAY FALLING CAUSING SERIOUS PERSONAL INJURY OR DAMAGE TO EQUIPMENT! Using screws of improper size may damage your display! Proper screws will easily and completely thread into display mounting holes.



**CAUTION:** IMPROPER INSTALLATION CAN LEAD TO DISPLAY FALLING CAUSING SERIOUS PERSONAL INJURY OR DAMAGE TO EQUIPMENT! Inadequate thread engagement in display may cause display to fall! Back out screws **ONLY** as necessary to allow installation of Centris Turntite head!

- Using Phillips screwdriver, carefully install two M4 x 12mm Phillips screws (K) into the *upper* mounting holes on the display. Thread screws completely into display, then back out 3 complete turns. (See Figure 6)
- Align two screws (K) (installed on the back of the display in the previous step) with the two top teardrop mounting holes on the Centris cup.



**CAUTION:** IMPROPER INSTALLATION CAN LEAD TO DISPLAY FALLING CAUSING SERIOUS PERSONAL INJURY OR DAMAGE TO EQUIPMENT! Smaller area of teardrop mounting holes must be facing downward for proper installation. Reposition Centris Turntite head if required.

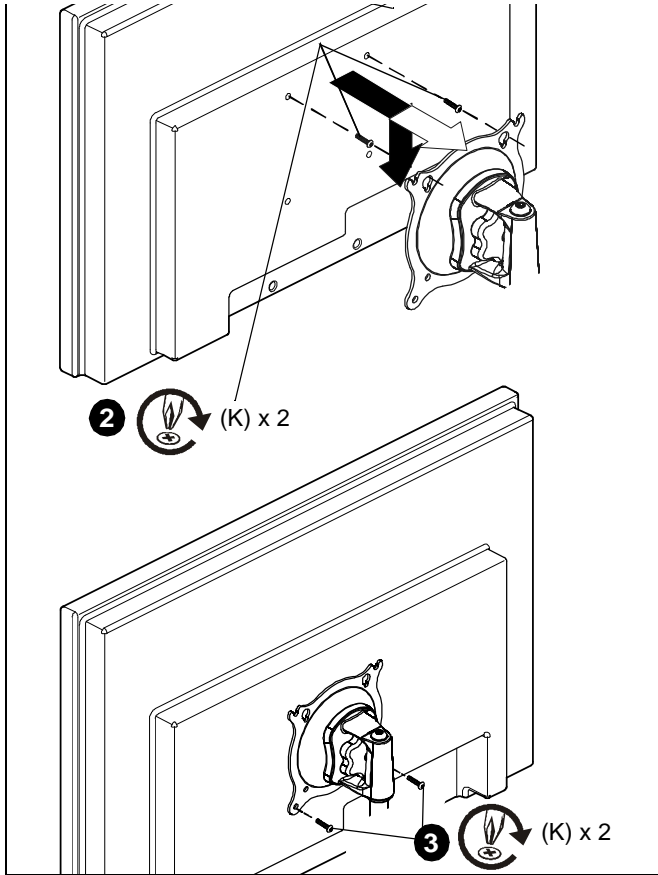


Figure 6

3. Using Phillips screwdriver, install two screws M4 x 12mm Phillips screws (K) through the *lower* mounting holes in Centris Turntite head into the display. (See Figure 6)
4. Tighten all four screws (K). Do not overtighten!

**Recessed Display Installation**

1. Carefully place display face down on a clean and dry surface.
2. Determine depth of recessed mounting holes relative to back surface of display.
3. Select proper length spacer and screw from table below:

**IMPORTANT !** : All spacers used should be the same length. If the recess depths result in multiple spacer lengths, then select the longer spacer.

IF recess DEPTH is:	THEN use spacer:	AND screw:
3/8" or less	N (3/8" long)	L (M4 x 20mm)
More than 3/8" up to and including 3/4"	P (3/4" long)	M (M4 x 30mm)

4. Place the four (N or P) spacers over each mounting hole on the back of display. (See Figure 7)
5. Orient mount so that mounting holes in the Centris Turntite head are aligned with the holes in the spacers (N or P). Rotate the Centris Turntite head as required (See Figure 7).



**CAUTION:** IMPROPER INSTALLATION CAN LEAD TO DISPLAY FALLING CAUSING SERIOUS PERSONAL INJURY OR DAMAGE TO EQUIPMENT! Using screws of improper size may damage your display! Proper screws will easily and completely thread into display mounting holes.

6. Using Phillips screwdriver, install four Phillips screws (L or M) through the mounting holes in Centris Turntite head and the spacers (N or P), into display (See Figure 7).
7. Tighten all four screws. Do not overtighten!
8. Return to mount installation section to continue.

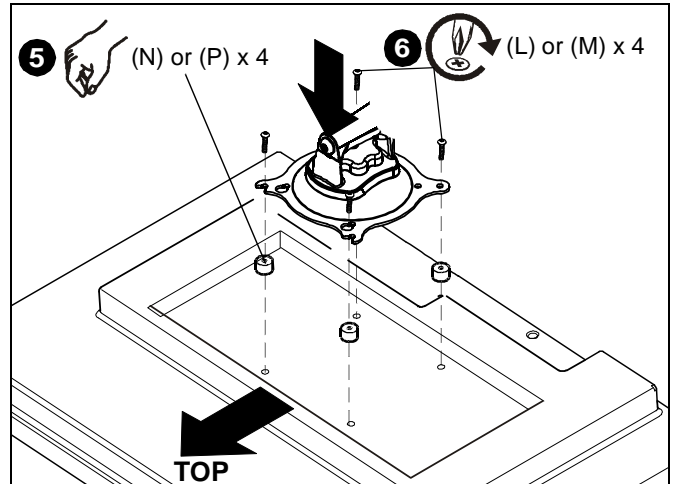


Figure 7

**CABLE MANAGEMENT**



**CAUTION:** Ensure that adequate cable slack exists for movement of display, and that cables will not be pinched by installation of cover (B) or screws (F).

1. Attach all cables to display.
2. Carefully insert cables in cavity located in lower portion of mount arm (See Figure 8).
3. Using Phillips screwdriver, install cover (B) with two screws (F) in each arm.

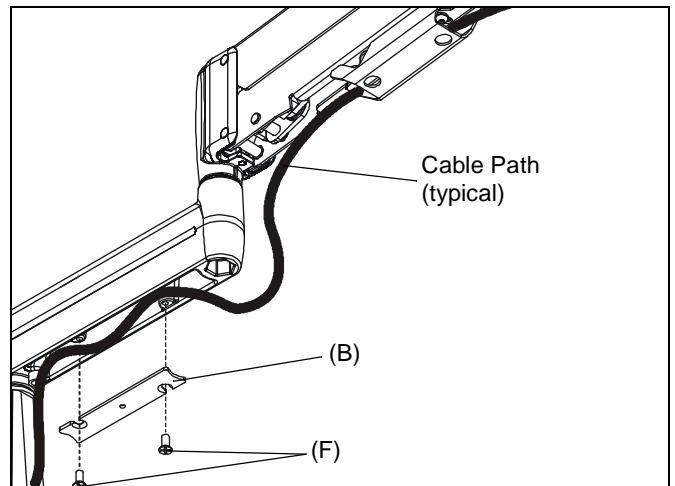


Figure 8

## ADJUSTMENTS

The mount provides for Pitch, Roll, Yaw and display pivot tension adjustment.

To adjust display Pitch/Roll/ Yaw tension:

1. Turn adjustment knob, located on back of Centris Turntite head, clockwise to increase tension or counter-clockwise to decrease. (See Figure 9)

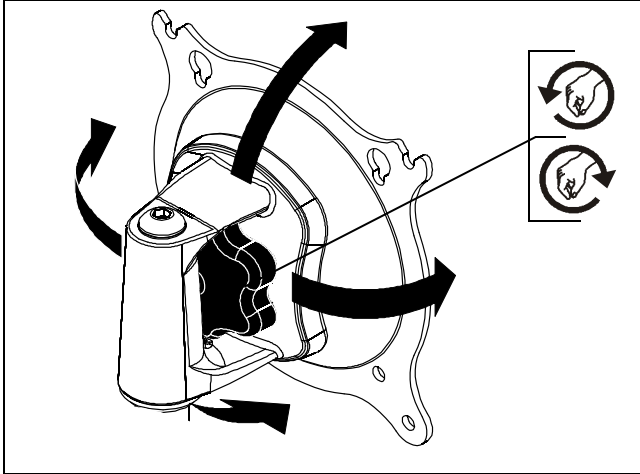


Figure 9

To adjust display Pivot tension:

1. Using hex wrench provided (H), turn adjustment screw clockwise to increase tension or counter-clockwise to decrease tension. (See Figure 10)

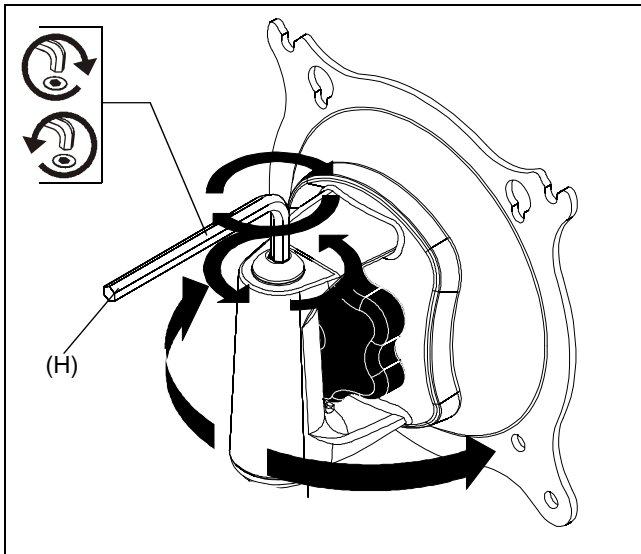


Figure 10







8832-000244  
©2007 Chief Manufacturing  
[www.chiefmfg.com](http://www.chiefmfg.com)  
11/07

<b>USA/International</b>	<b>A</b> 8401 Eagle Creek Parkway, Savage, MN 55378 <b>P</b> 800.582.6480 / 952.894.6280 <b>F</b> 877.894.6918 / 952.894.6918
<b>Europe</b>	<b>A</b> Fellenoord 130 5611 ZB EINDHOVEN, The Netherlands <b>P</b> +31 (0)40 2668620 <b>F</b> +31 (0)40 2668615
<b>Asia Pacific</b>	<b>A</b> Room 30I, Block D, Lily YinDu International Building LuoGang, BuJi Town, Shenzhen, CHINA. Post Code: 518112 深圳市布吉罗岗百合银都国际大厦D栋30I <b>P</b> +86-755-8996 9226 ; 8996 9236 ; 8996 9220 <b>F</b> +86-755-8996 9217