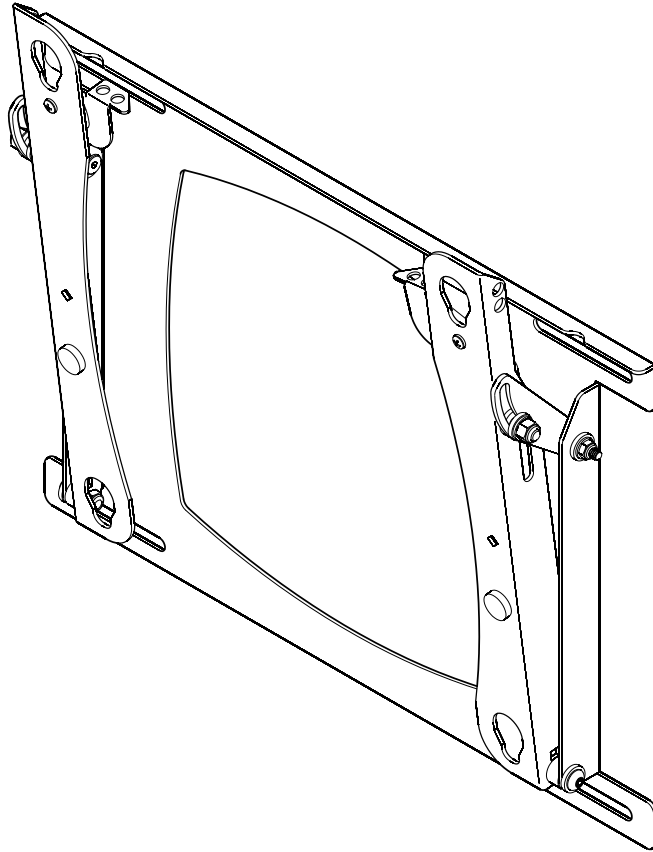

INSTALLATION INSTRUCTIONS



Large Flat Panel Wall Mount

DISCLAIMER

CSAV, Inc., and its affiliated corporations and subsidiaries (collectively, "CSAV"), intend to make this manual accurate and complete. However, CSAV makes no claim that the information contained herein covers all details, conditions or variations, nor does it provide for every possible contingency in connection with the installation or use of this product. The information contained in this document is subject to change without notice or obligation of any kind. CSAV makes no representation of warranty, expressed or implied, regarding the information contained herein. CSAV assumes no responsibility for accuracy, completeness or sufficiency of the information contained in this document.

! IMPORTANT WARNINGS AND CAUTIONS!

! WARNING: A WARNING alerts you to the possibility of serious injury or death if you do not follow the instructions.

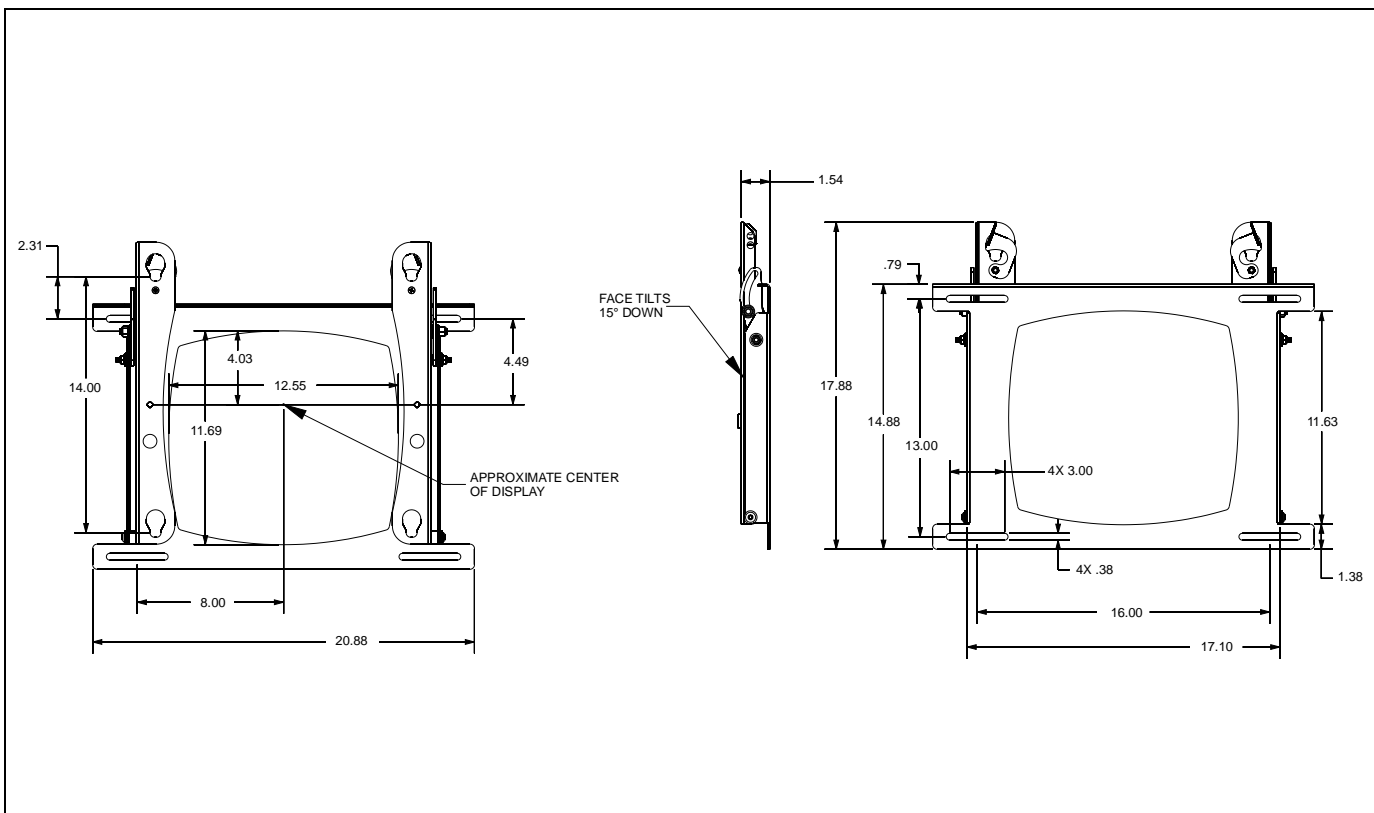
! CAUTION: A CAUTION alerts you to the possibility of damage or destruction of equipment if you do not follow the corresponding instructions.

! WARNING: Failure to read, thoroughly understand, and follow all instructions can result in serious personal injury, damage to equipment, or voiding of factory warranty! It is the installer's responsibility to make sure all components are properly assembled and installed using the instructions provided.

! WARNING: Failure to provide adequate structural strength for this component can result in serious personal injury or damage to equipment! It is the installer's responsibility to make sure the structure to which this component is attached can support five times the combined weight of all equipment. Reinforce the structure as required before installing the component.

! WARNING: Exceeding the weight capacity can result in serious personal injury or damage to equipment! It is the installer's responsibility to make sure the combined weight of all components does not exceed 200 lbs (90.7 kg).

DIMENSIONS



INTRODUCTION

TOOLS REQUIRED FOR INSTALLATION

- Socket wrench set
- Drill and bit set

INSPECT MOUNT BEFORE ASSEMBLY

Carefully inspect mount assembly for shipping damage (see Figure 1). If damage is apparent, call your carrier claims agent and do not continue with installation until the carrier has reviewed the damage.

NOTE: Thoroughly read and understand all assembly instructions before starting installation.

Abbreviations used throughout this manual are identified in the table below.

abbr.	Description
PFMS	Phillips Flat Head Machine Screw
PPMS	Phillips Pan Head Machine Screw
FW	Flat Washer
PPSM	Phillips Pan Head Sheet Metal Screw

Table 1: PARTS

ITEM	DESCRIPTION	QTY.
10	MOUNT, Display, DEL1	1
20	BRACKET, Interface, PSBUB	1
30	SCREW, Phillips, Pan head machine, M6 x 12mm (not shown)	4



WARNING: USING IMPROPER HARDWARE CAN LEAD TO MOUNT AND/OR DISPLAY FALLING. Use only hardware provided with mount. DO NOT substitute!

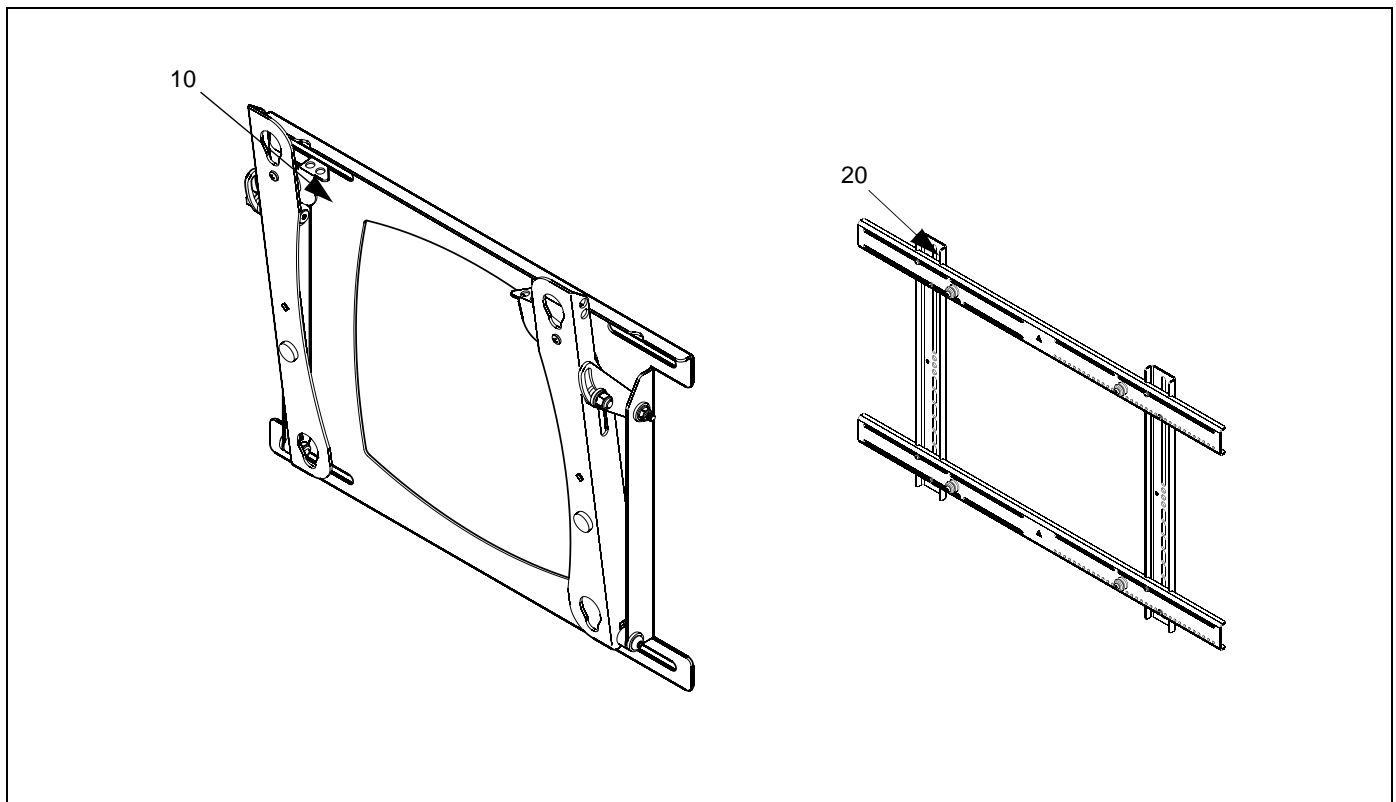


Figure 1: Parts

INSTALLATION



WARNING: IMPROPER INSTALLATION CAN LEAD TO MOUNT FALLING CAUSING SERIOUS PERSONAL INJURY OR DAMAGE TO EQUIPMENT! It is the installer's responsibility to make sure the structure to which the mount is being installed is capable of supporting 200 lbs (90.7 kg) the maximum combined weight of the mount and all attachments.

1. Identify desired mounting location.

NOTE: The mount is designed to be installed on wood studs 16" or 24" on center. Lateral shift can be adjusted $\pm 4.5"$ (16" on center) or $\pm 0.5"$ (24" on center).

2. Locate studs and desired mounting height.
3. Place mounting against wall and level, aligning slots in wall brackets with studs.



WARNING: IMPROPER INSTALLATION CAN LEAD TO MOUNT FALLING CAUSING SERIOUS PERSONAL INJURY OR DAMAGE TO EQUIPMENT! The installer is responsible for verifying that the structure to which the mount is anchored will safely support five times the combined load of the mount and all attached components.

4. Mark center of each slot in.
5. Drill four $7/32"$ dia. (5.5mm) pilot holes at marks. (See Figure 2)
6. Secure mount to studs using four $5/16"$ flat washers and four $5/16 \times 2 \frac{1}{2}"$ lag bolts.

IMPORTANT ! : This hardware is required for proper installation but is not provided with mount.



WARNING: IMPROPER INSTALLATION CAN LEAD TO MOUNT FALLING CAUSING SERIOUS PERSONAL INJURY OR DAMAGE TO EQUIPMENT! DO NOT substitute hardware.



CAUTION: OVERTIGHTENING CAN DAMAGE THE MOUNTING SURFACE! DO NOT overtighten hardware!

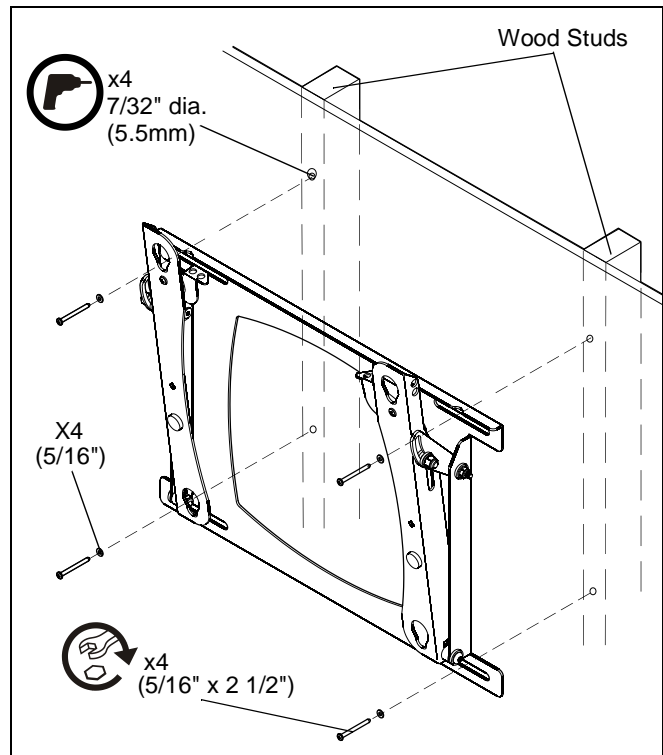


Figure 2

DISPLAY INSTALLATION

1. Move latching flag to "OPEN" position.

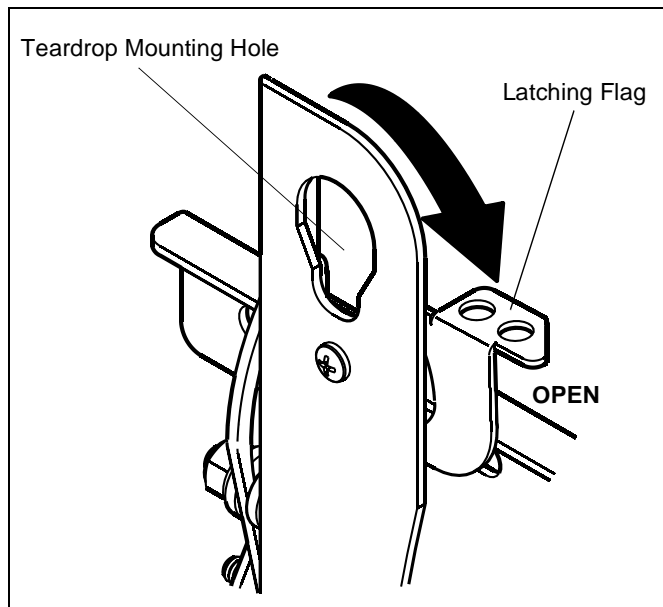


Figure 3

2. Align mounting buttons on display with teardrop mounting holes in mounting bracket.
3. Move display forward until all four mounting buttons are through teardrop mounting holes in mounting bracket, and recessed area of mounting buttons is aligned with the lower area of teardrop mounting holes.

4. Lower display until the recessed area mounting buttons is seated in the lower area of teardrop mounting holes.
5. Move latching flag to the "LATCHED" position to secure display to mounting bracket. (See Figure 4)

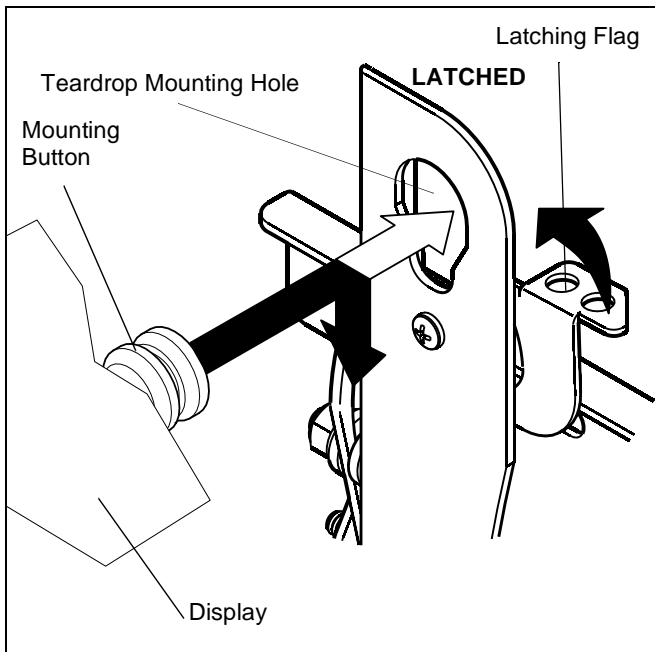


Figure 4

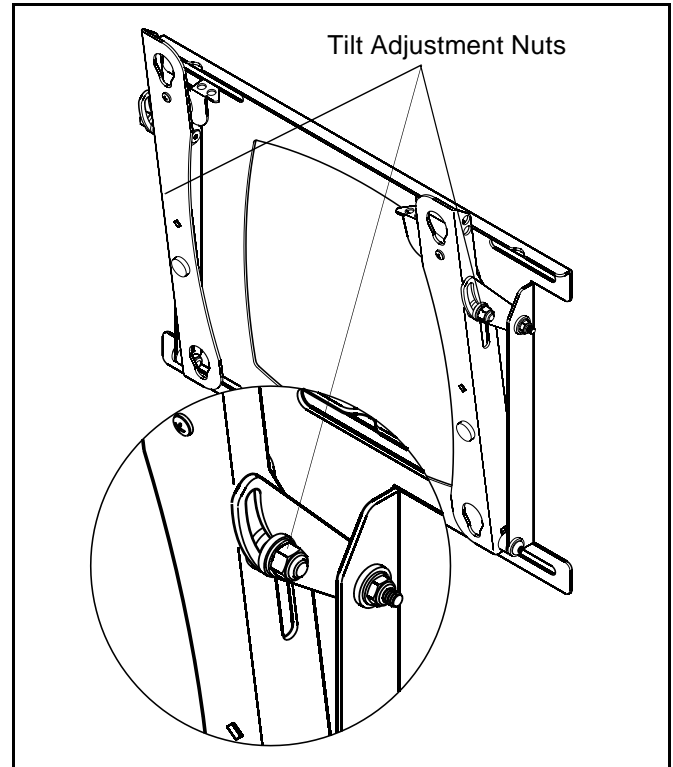


Figure 5: Tilt Adjustment



WARNING: IMPROPER INSTALLATION CAN LEAD TO DISPLAY FALLING CAUSING SERIOUS PERSONAL INJURY OR DAMAGE TO EQUIPMENT! Make sure mounting buttons are properly seated in teardrop mounting holes and latching flag is fully closed.

6. Insert padlock into latching flag if desired.
7. Route and connect all cables to display.

TILT TENSION ADJUSTMENT

The DEL1 mount provides for the adjustment of display tilt tension. This determines the amount of force require to move the display.

To adjust tilt tension:

1. Using 1/2" socket wrench, loosen or tighten the tilt adjustment nuts until desired tension is achieved.(See Figure 5).

IMPORTANT ! : It is important that both sides are adjusted evenly.



CAUTION: OVERTIGHTENING OF HARDWARE CAN LEAD TO EXCESSIVE WEAR AND DAMAGE TO EQUIPMENT! Do not over-tighten the nuts.



8832-000187
©2006 Chief Manufacturing
www.chiefmfg.com
10/06

USA/International	A 8401 Eagle Creek Parkway, Savage, MN 55378 P 800.582.6480 / 952.894.6280 F 877.894.6918 / 952.894.6918
Europe	A Fellenoord 130 5611 ZB EINDHOVEN, The Netherlands P +31 (0)40 2668620 F +31 (0)40 2668615
Asia Pacific	A Room 30I, Block D, Lily YinDu International Building LuoGang, BuJi Town, Shenzhen, CHINA. Post Code: 518112 深圳市布吉罗岗百合银都国际大厦D栋30I P +86-755-8996 9226 ; 8996 9236 ; 8996 9220 F +86-755-8996 9217