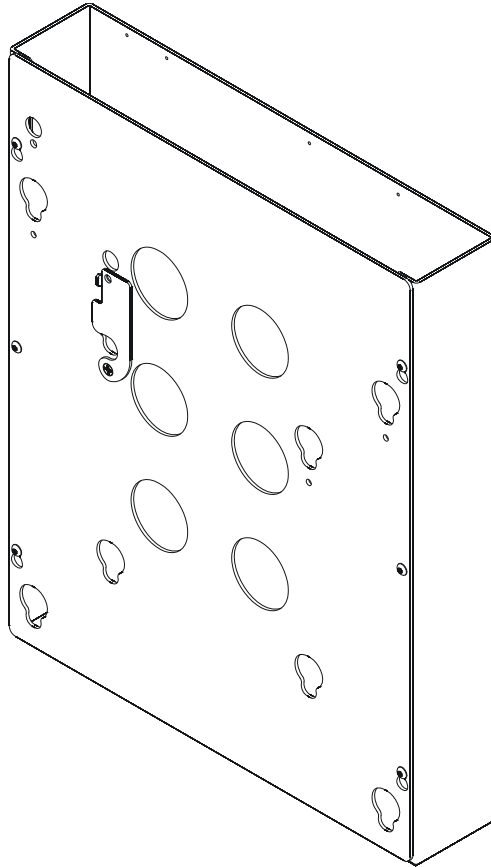

INSTALLATION INSTRUCTIONS



CPU Accessory

DISCLAIMER

Milestone AV Technologies and its affiliated corporations and subsidiaries (collectively "Milestone"), intend to make this manual accurate and complete. However, Milestone makes no claim that the information contained herein covers all details, conditions or variations, nor does it provide for every possible contingency in connection with the installation or use of this product. The information contained in this document is subject to change without notice or obligation of any kind. Milestone makes no representation of warranty, expressed or implied, regarding the information contained herein. Milestone assumes no responsibility for accuracy, completeness or sufficiency of the information contained in this document.

Chief® is a registered trademark of Milestone AV Technologies. All rights reserved.

! IMPORTANT WARNINGS AND CAUTIONS!

! WARNING: A WARNING alerts you to the possibility of serious injury or death if you do not follow the instructions.

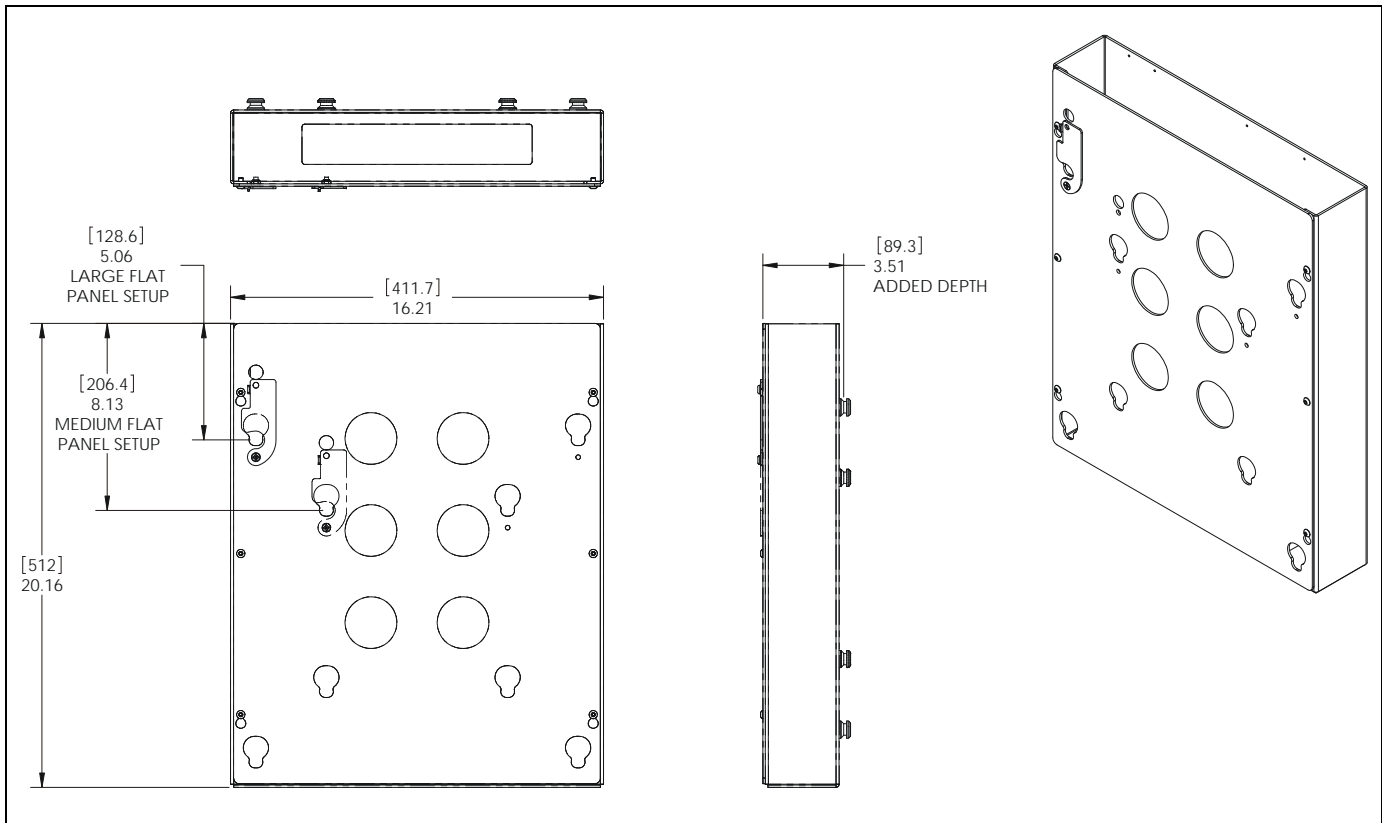
! CAUTION: A CAUTION alerts you to the possibility of damage or destruction of equipment if you do not follow the corresponding instructions.

! WARNING: Failure to read, thoroughly understand, and follow all instructions can result in serious personal injury, damage to equipment, or voiding of factory warranty! It is the installer's responsibility to make sure all components are properly assembled and installed using the instructions provided.

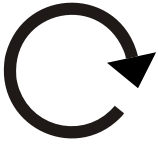

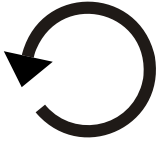


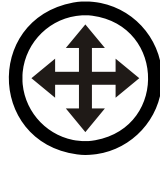
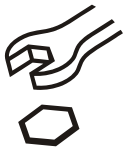





! WARNING: Failure to provide adequate structural strength for this component can result in serious personal injury or damage to equipment! It is the installer's responsibility to make sure the structure to which this component is attached can support five times the combined weight of all equipment. Reinforce the structure as required before installing the component.

! WARNING: Exceeding the weight capacity can result in serious personal injury or damage to equipment! It is the installer's responsibility to make sure the combined weight of all components located between the CPU Accessory and the display does not exceed the weight limits for the specific wall mount being used. The CPU Accessory weighs 17 lbs (7.7 kg) which needs to be included in this combined weight total.

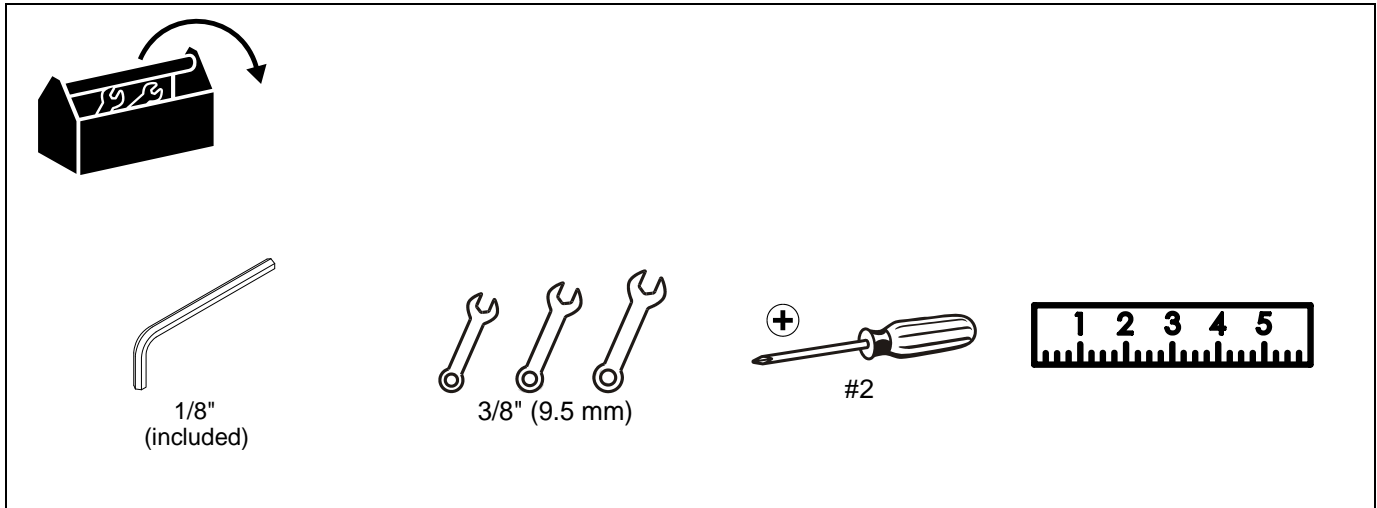
DIMENSIONS



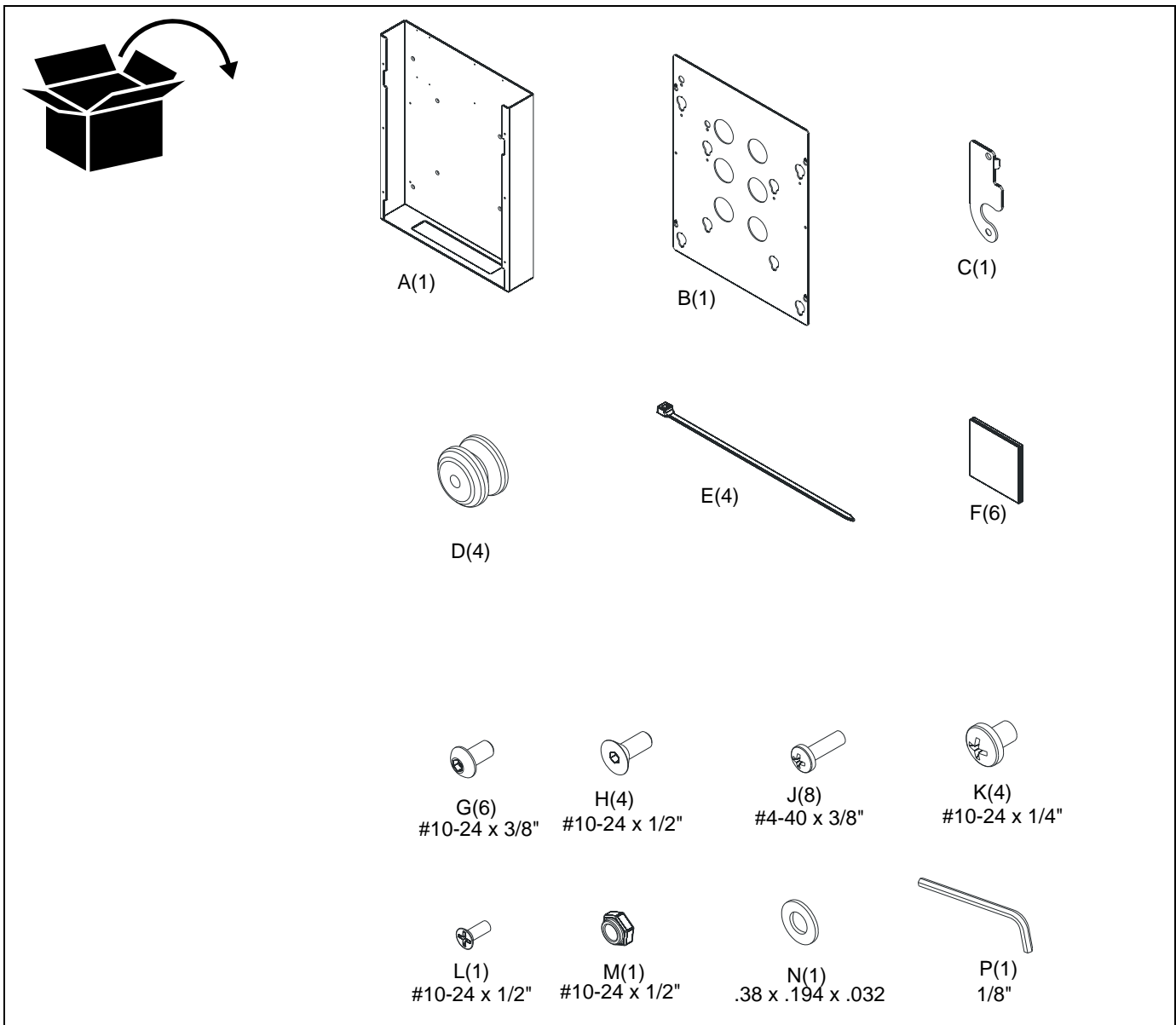
LEGEND

| | | | |
|---|--|--|--|
|  | <p>Tighten Fastener</p> <p>Apretar elemento de fijación</p> <p>Befestigungsteil festziehen</p> <p>Apertar fixador</p> <p>Serrare il fissaggio</p> <p>Bevestiging vastdraaien</p> <p>Serrez les fixations</p> |  | <p>Pencil Mark</p> <p>Marcar con lápiz</p> <p>Stiftmarkierung</p> <p>Marcar com lápis</p> <p>Segno a matita</p> <p>Potloodmerkten</p> <p>Marquage au crayon</p> |
|  | <p>Loosen Fastener</p> <p>Afajar elemento de fijación</p> <p>Befestigungsteil lösen</p> <p>Desapertar fixador</p> <p>Allentare il fissaggio</p> <p>Bevestiging losdraaien</p> <p>Desserrez les fixations</p> |  | <p>Drill Hole</p> <p>Perforar</p> <p>Bohrloch</p> <p>Fazer furo</p> <p>Praticare un foro</p> <p>Gat boren</p> <p>Percez un trou</p> |
|  | <p>Phillips Screwdriver</p> <p>Destornillador Phillips</p> <p>Kreuzschlitzschraubendreher</p> <p>Chave de fendas Phillips</p> <p>Cacciavite a stella</p> <p>Kruiskopschroevendraaier</p> <p>Tournevis à pointe cruciforme</p> |  | <p>Adjust</p> <p>Ajustar</p> <p>Einstellen</p> <p>Ajustar</p> <p>Regolare</p> <p>Afstellen</p> <p>Ajuster</p> |
|  | <p>Open-Ended Wrench</p> <p>Llave de boca</p> <p>Gabelschlüssel</p> <p>Chave de bocas</p> <p>Chiave a punte aperte</p> <p>Steeksleutel</p> <p>Clé à fourche</p> |  | <p>Remove</p> <p>Quitar</p> <p>Entfernen</p> <p>Remover</p> <p>Rimuovere</p> <p>Verwijderen</p> <p>Retirez</p> |
|  | <p>By Hand</p> <p>A mano</p> <p>Von Hand</p> <p>Com a mão</p> <p>A mano</p> <p>Met de hand</p> <p>À la main</p> |  | <p>Optional</p> <p>Opcional</p> <p>Optional</p> <p>Opcional</p> <p>Opzionale</p> <p>Optie</p> <p>En option</p> |
|  | <p>Hex-Head Wrench</p> <p>Llave de cabeza hexagonal</p> <p>Sechskantschlüssel</p> <p>Chave de cabeça sextavada</p> <p>Chiave esagonale</p> <p>Zeskantsleutel</p> <p>Clé à tête hexagonale</p> |  | <p>Security Wrench</p> <p>Llave de seguridad</p> <p>Sicherheitsschlüssel</p> <p>Chave de segurança</p> <p>Chiave di sicurezza</p> <p>Veiligheidsleutel</p> <p>Clé de sécurité</p> |

TOOLS REQUIRED FOR INSTALLATION



PARTS



Assembly And Installation

Attach Mounting Buttons

1. Install four #10-24 x 1/2" flat-head cap screws (H) through holes on CPU Box (A) and into mounting buttons (D). (See Figure 1)
2. Use 1/8" hex key (P) to tighten mounting buttons to CPU box. (See Figure 1)

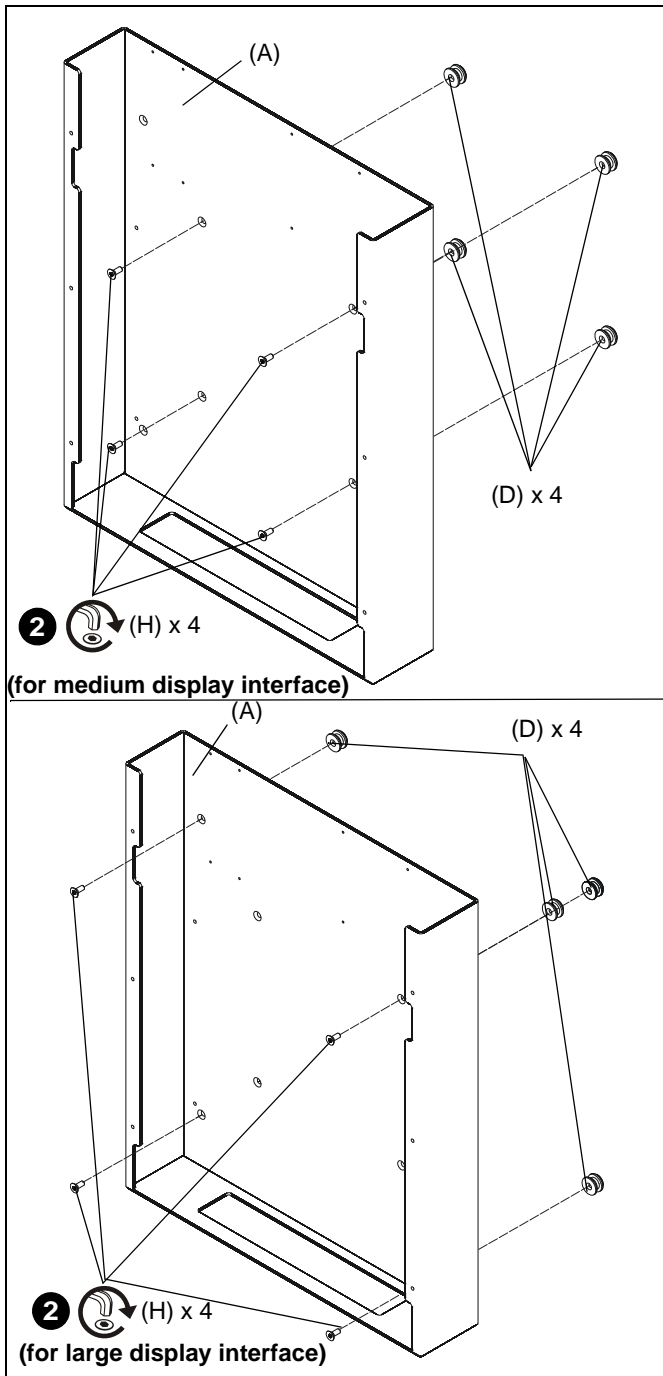


Figure 1

Attach Locking Flag to Face Plate

1. Install #10-24 x 1/2" Phillips undercut machine screw (L) through lower hole on locking flag (C), nylon spacer (N), corresponding hole on face plate (B) and into #10-24 x 1/2" lag nut (M). (See Figure 2)
2. Use #2 screwdriver to fully secure flag to face plate using a 3/8" wrench to hold lag nut in place. (See Figure 2)

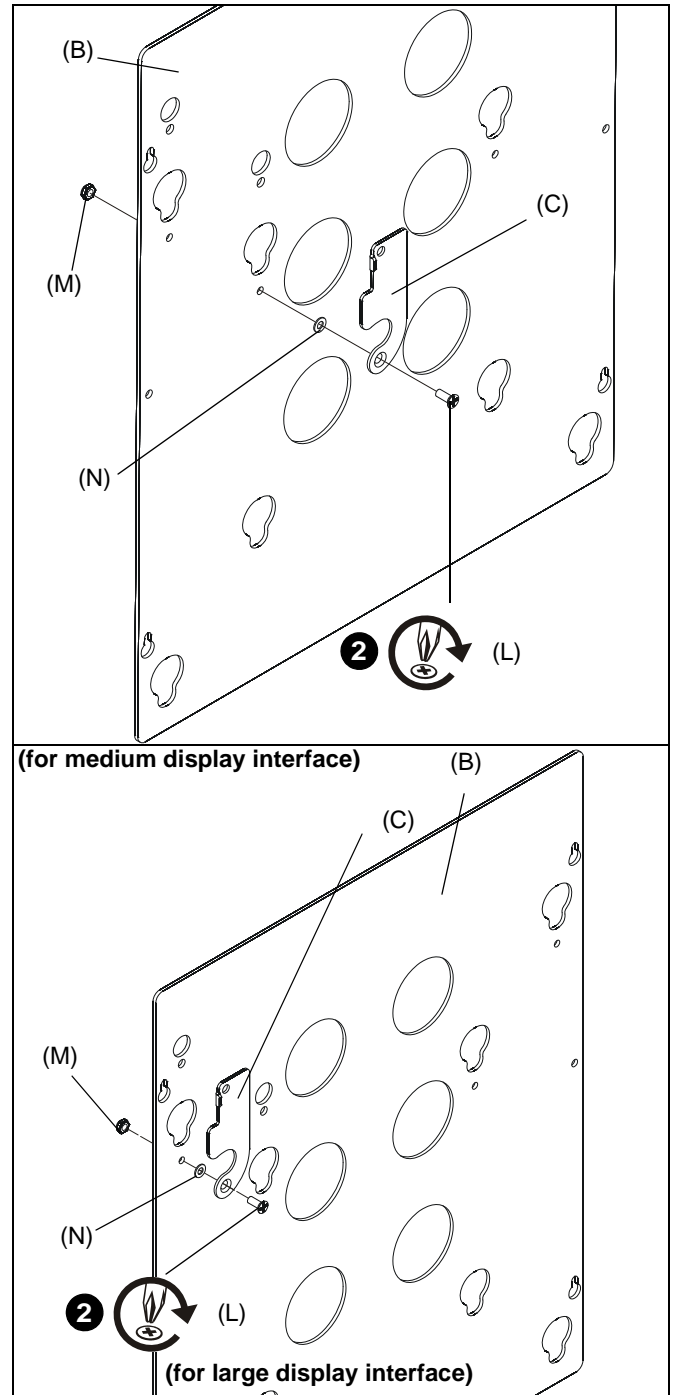


Figure 2

Attach Faceplate to CPU Box

1. Use six #10-24 x 3/8" button head cap screws (G) to attach face plate (B) to CPU box (A). (See Figure 3)

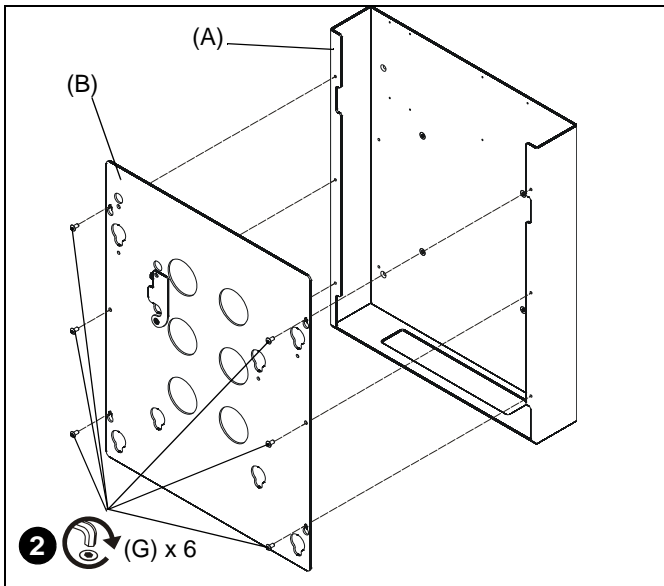


Figure 3

Install Components

1. Install any required components into CPU Box keeping in mind cable location and weight limits. (See Figure 4)

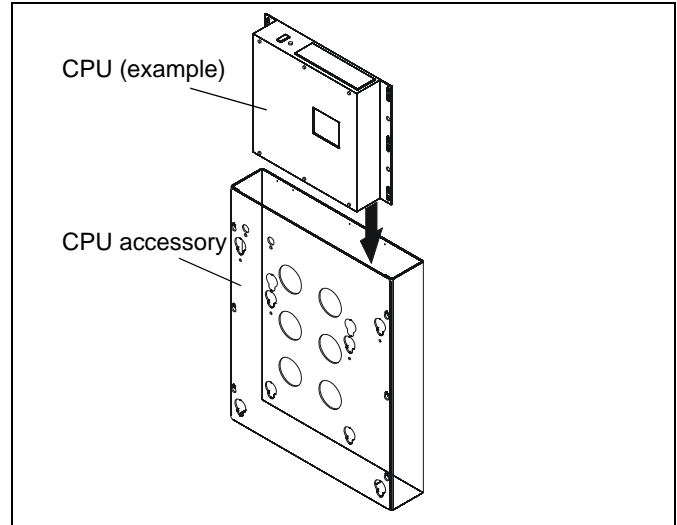


Figure 4

Mount Accessory and Display

1. Make sure locking flag on wall mount is in open position.
2. Lift CPU accessory onto wall mount and place mounting buttons inside mounting holes. (See Figure 5)
3. Move locking flag to the closed position to secure CPU accessory to wall mount.

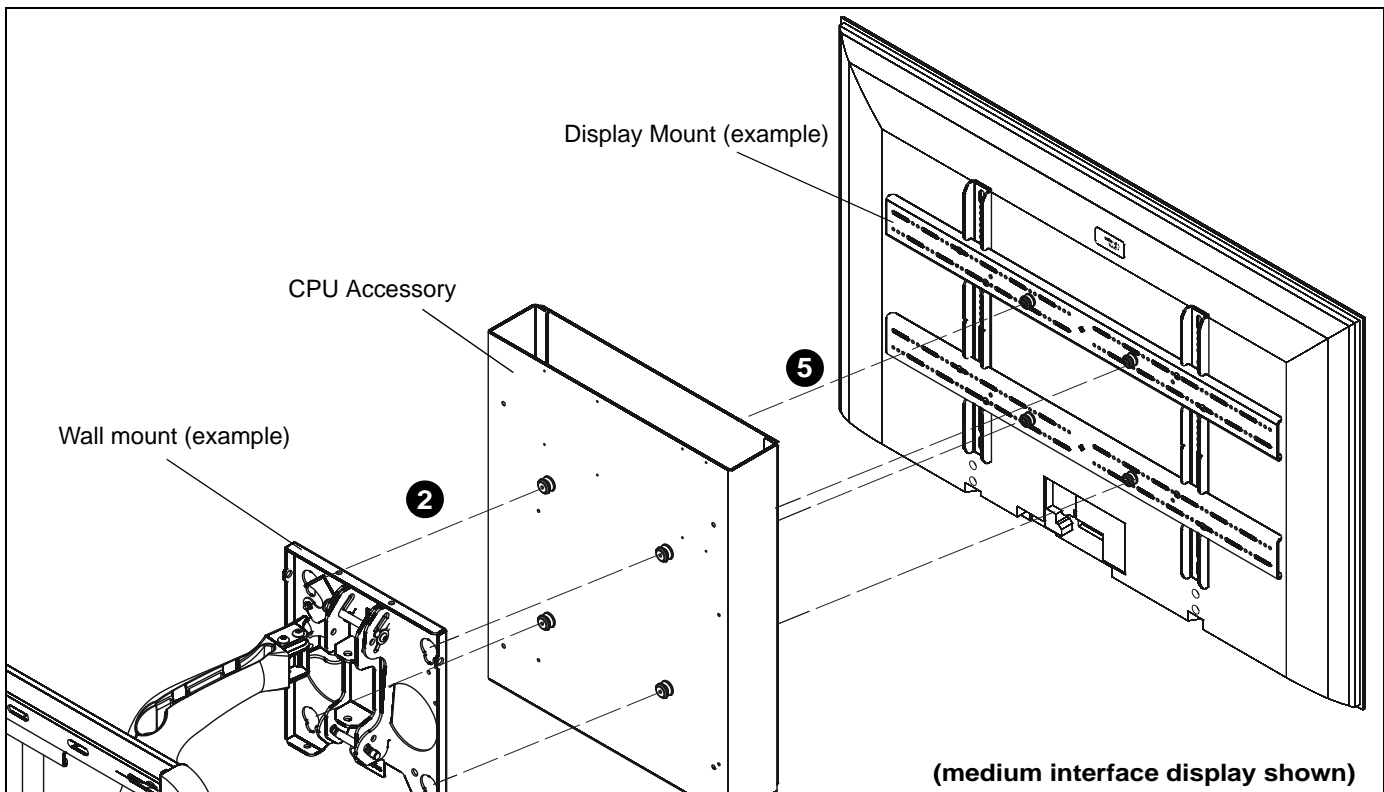


Figure 5



WARNING: Exceeding the weight capacity can result in serious personal injury or damage to equipment! It is the installer's responsibility to make sure the combined weight of all components located between the CPU Accessory and the display does not exceed the weight limits for the specific wall mount being used. The CPU Accessory weighs 17 lbs (7.7 kg) which needs to be included in this combined weight total.

4. Make sure locking flag on CPU face plate is in open position. (See Figure 6)
5. Lift display with display mount to CPU accessory and insert mounting buttons into mounting holes. (See Figures 5 and 6)
6. Move locking flag (C) to closed position to secure display to CPU accessory. (See Figure 6)

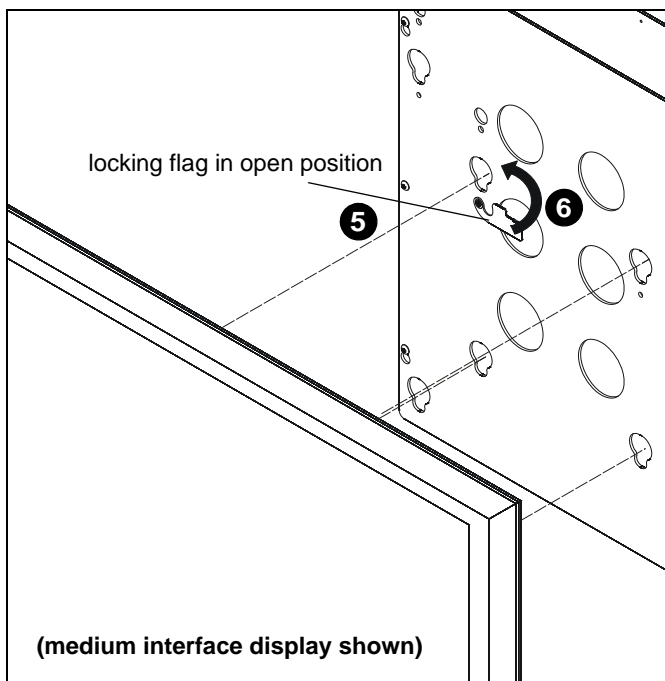


Figure 6

7. Loop cable tie (E) through locking flag (C) hole and back through face plate hole. (See Figure 7)

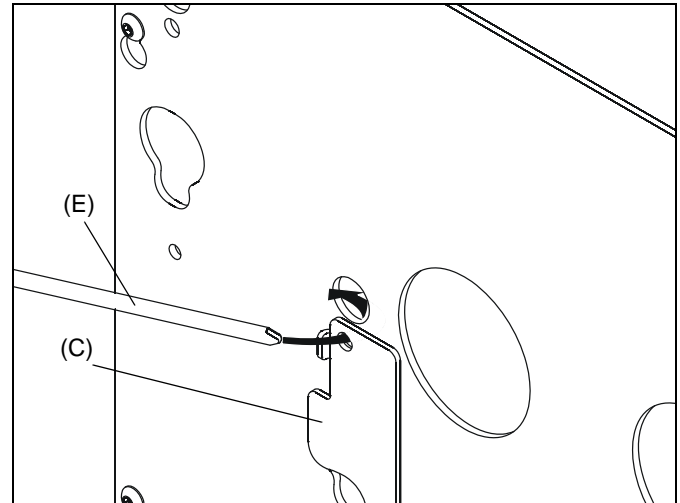


Figure 7

8. Tighten cable tie to secure locking flag in the closed position.



Our Mounts. **Your Vision.**

Chief Manufacturing, a division of
Milestone AV Technologies

8832-000281
©2008 Milestone AV Technologies
www.chiefmfg.com
11/08

USA/International A 8401 Eagle Creek Parkway, Savage, MN 55378
P 800.582.6480 / 952.894.6280
F 877.894.6918 / 952.894.6918

Europe A Fellenoord 130 5611 ZB EINDHOVEN, The Netherlands
P +31 (0)40 2668620
F +31 (0)40 2668615

Asia Pacific A Room 24F, Block D, Lily YinDu International Building
LuoGang, BuJi Town, Shenzhen, CHINA.
深圳市布吉罗岗村百合银都国际大厦D栋24F
P +86-755-8996 9226
F +86-755-8996 9217

