

INSTALLATION INSTRUCTIONS

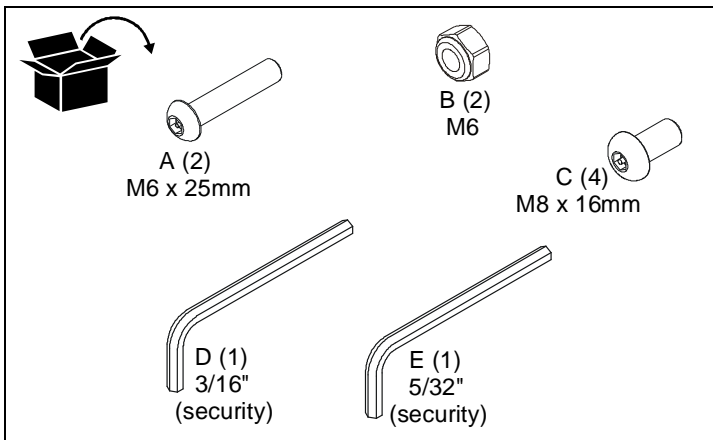
MSP-FHBM816

This hardware kit is designed for use with Chief® Mounts. See the specific installation instructions provided with the mount for additional installation information.

Unpack and verify kit contents. If any listed parts are missing, immediately contact a Chief Customer Service representative.

WARNING: IMPROPER INSTALLATION CAN LEAD TO EQUIPMENT FALLING CAUSING SERIOUS PERSONAL INJURY AND DAMAGE TO EQUIPMENT! DO NOT substitute hardware. Use only hardware supplied by manufacturer!

PARTS



WARNING: OVER TIGHTENING OF SCREWS CAN DAMAGE PARTS AND CAN LEAD TO SERIOUS PERSONAL INJURY AND DAMAGE TO EQUIPMENT! DO NOT over tighten screws when installing interface brackets.

INSTALLATION

- Place brackets on display, ensuring:
 - Upper hooks are towards TOP of display.
 - Center of brackets are as close to center of display as possible after being installed.
- NOTE:** The centerline of display should be located against the center indicator on the interface bracket. The center of bracket is indicated by the diamond-shaped hole. (See Figure 1)
- Fasten interface brackets to back of display with four M8 x 16mm (C) button head security screws, using the 3/16" security hex key (D). (See Figure 1)

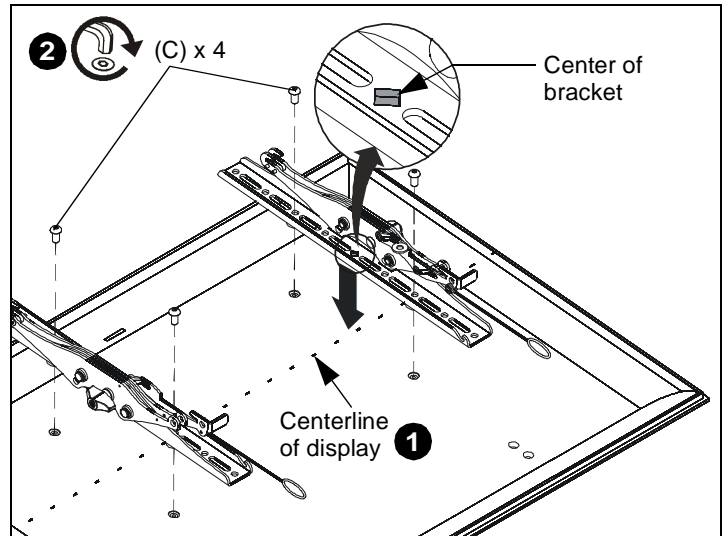


Figure 1

- Continue installation following the instructions included with the mount.
- OPTIONAL:** The display may be secured to the mount using the 5/32" security hex key (E) to fasten one M6 x 25mm button head security screw (A) and one M6 lock nut (B) through the bracket. (See Figure 2)
- Repeat Step 4 for remaining bracket.

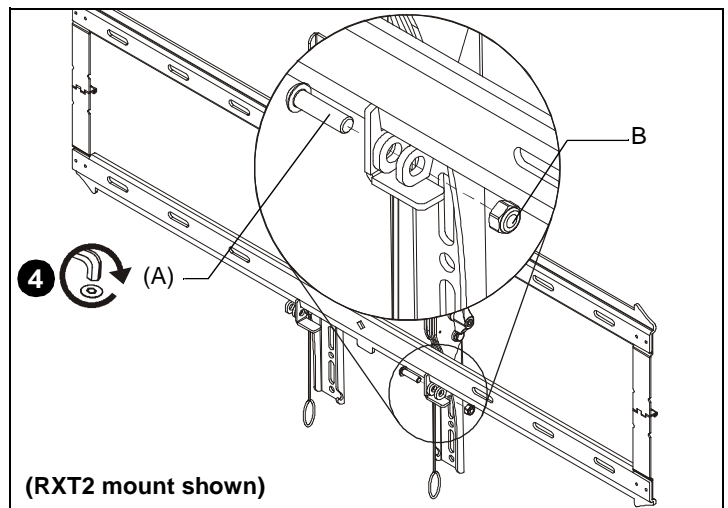


Figure 2

©Chief is a registered trademark of Milestone AV Technologies.
All rights reserved.

Milestone AV Technologies, and its affiliated corporations and subsidiaries (collectively, "Milestone"), intend to make this manual accurate and complete. However, Milestone makes no claim that the information contained herein covers all details, conditions or variations, nor does it provide for every possible contingency in connection with the installation or use of this product. The information contained in this document is subject to change without notice or obligation of any kind. Milestone makes no representation of warranty, expressed or implied, regarding the information contained herein. Milestone assumes no responsibility for accuracy, completeness or sufficiency of the information contained in this document.



Our Mounts. Your Vision.

Chief Manufacturing, a products division of
Milestone AV Technologies
6436 City West Parkway, Eden Prairie, MN 55344

• P: 800.582.6480 / 952.225.6000 • F: 877.894.6918 / 952.894.6918

8800-002448 Rev00
©2013 Milestone AV Technologies,
a Duchossois Group Company
www.chiefmfg.com

08/13