

---

# INSTALLATION INSTRUCTIONS

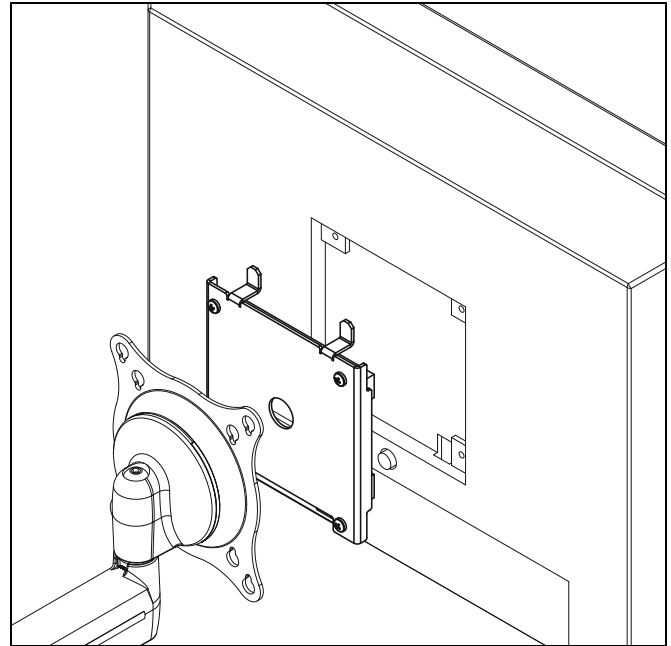
---

## DELL QUICK CONNECT BRACKET

### Model: MSP-G1

Specifications:

- Accommodates Dell Ultra-Sharp displays up to 24" screen size.



Dell Quick Connect Bracket  
(Shown with optional display and mount)

---

#### BEFORE YOU BEGIN



**WARNING:** It is the installer's responsibility to make sure all components are properly assembled and installed using the instructions provided. Failure to read, thoroughly understand, and follow all instructions can result in serious personal injury, damage to equipment, or voiding of factory warranty.

- If you have any questions about these instructions or your specific installation, contact Chief Manufacturing at 1-800-582-6480 or 952-894-6280.

**! IMPORTANT WARNINGS AND CAUTIONS!**

**WARNING:** A WARNING alerts you to the possibility of serious injury or death if you do not follow the instructions.

**CAUTION:** A CAUTION alerts you to the possibility of damage or destruction of equipment if you do not follow the corresponding instructions.

**TOOLS REQUIRED FOR INSTALLATION**

- #2 Phillips Screwdriver

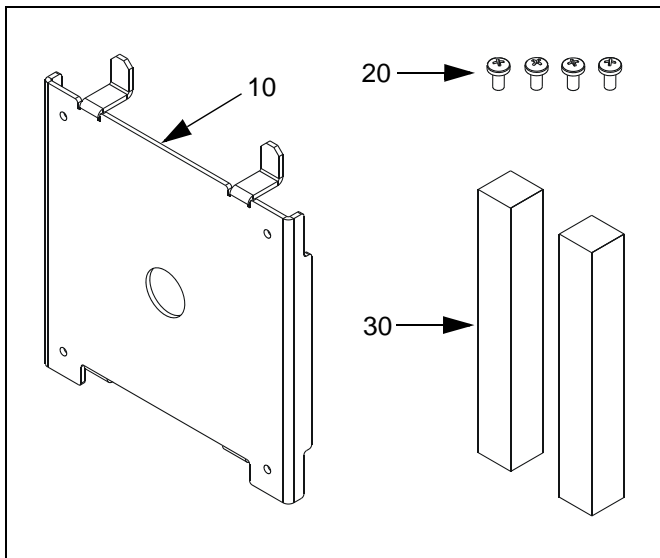
**NOTE:** Other tools may be required depending on your method of installation.

**PARTS**

After unpacking carton, inspect and verify contents (See Figure 1). If any listed parts are missing or damaged, contact Chief Customer Service at 1-800-582-6480.

**Table 1: Parts**

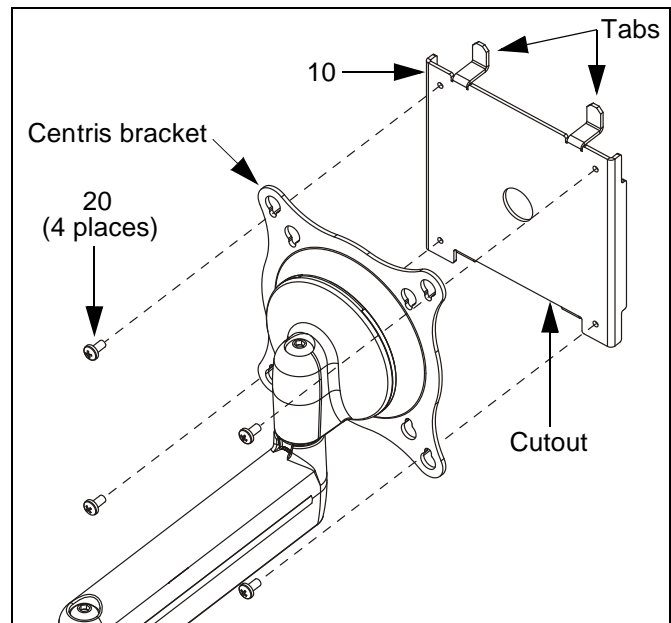
Item	Description	Qty
10	BRACKET, Dell Quick Connect	1
20	SCREW, Phillips Pan Machine, M4 x 8mm	4
30	FOAM PAD, Adhesive, 4.4" x 0.625" x 0.625"	2



**Figure 1: Parts**

**INSTALLATION**

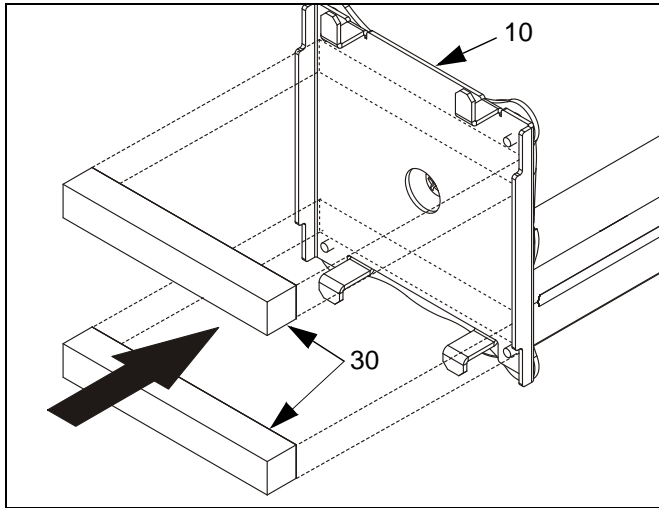
1. Using Phillips screwdriver, install four screws (20) through back side of Centris bracket into bracket (10) (See Figure 2). Ensure bracket (10) is oriented so that tabs face away from Centris bracket and cutout is on bottom.



**Figure 2: Install Quick Connect Bracket**

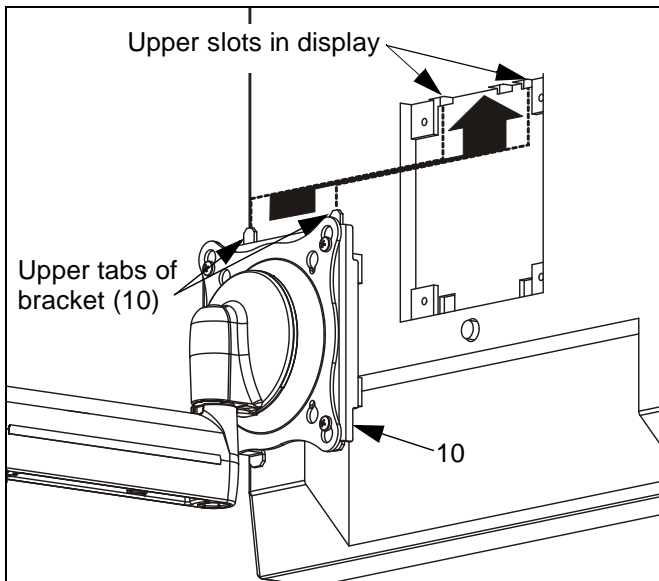
2. If desired, foam pads (30) may be installed on inside of bracket (10) to provide a firmer installation of bracket (10) to display. Peel backing from foam pads (30) and install as shown (See Figure 3).

**NOTE:** Foam pads (30) may be installed later by removing display, installing foam, and reinstalling display.



**Figure 3: Install Foam Pads**

3. Tilt and lower display so that upper tabs of bracket (10) fit into upper slots in display (See Figure 4).



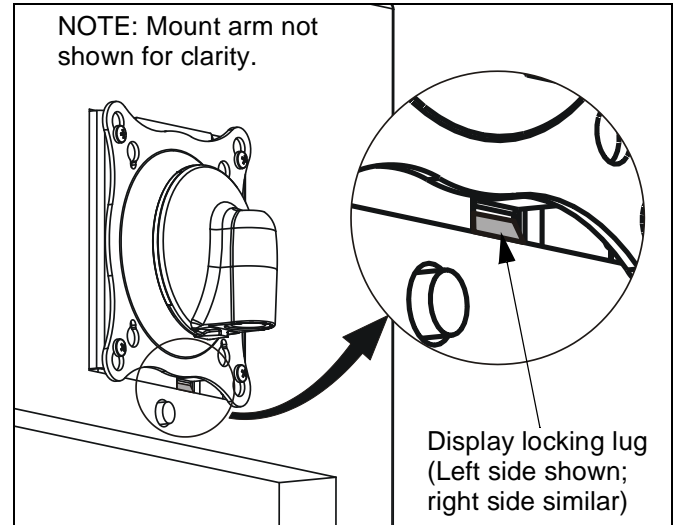
**Figure 4: Install Display to Upper Bracket Tabs**



**CAUTION:** Pushing on display screen may result in damage to your display! Push **ONLY** on the edge of the display case.

4. Grasp back of Centris bracket with one hand, and push bottom edge of display case with other hand so that lower tabs of bracket (10) lock into display (See Figure 5).

**IMPORTANT ! :** Visually ensure *both* lower tabs of bracket (10) have been captured by spring loaded display locking lugs! (See Figure 5)

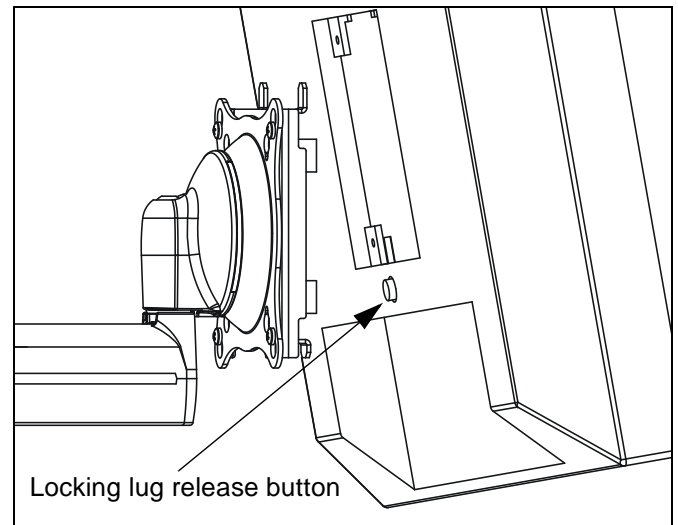


**Figure 5: Install Display to Lower Bracket Tabs**

5. Connect all cables.

## REMOVAL

1. Remove all cables from display.
2. While firmly holding display, push the locking lug release button (See Figure 6). With button depressed, *tilt* bottom of display out of bracket (10) and then *lift* display from mount.



**Figure 6: Remove Display**

