

INSTALLATION INSTRUCTIONS

MODEL: MSP-GSIP i-PODHub Desk Mount Accessory

Unpack carton and verify contents. If any listed parts are missing, immediately contact a Chief Customer Service representative by calling 1-800-582-6480.

PARTS

(1) BRACKET, Hub Mounting	(3) SCREW, Hub Mounting, #10 x 1/2"
(4) SCREW, Bracket Mounting, #4 x 3/4"	(1) TIE, Cable, 5 3/4" long
(1) WRENCH, Hex, Security, 5/32"	

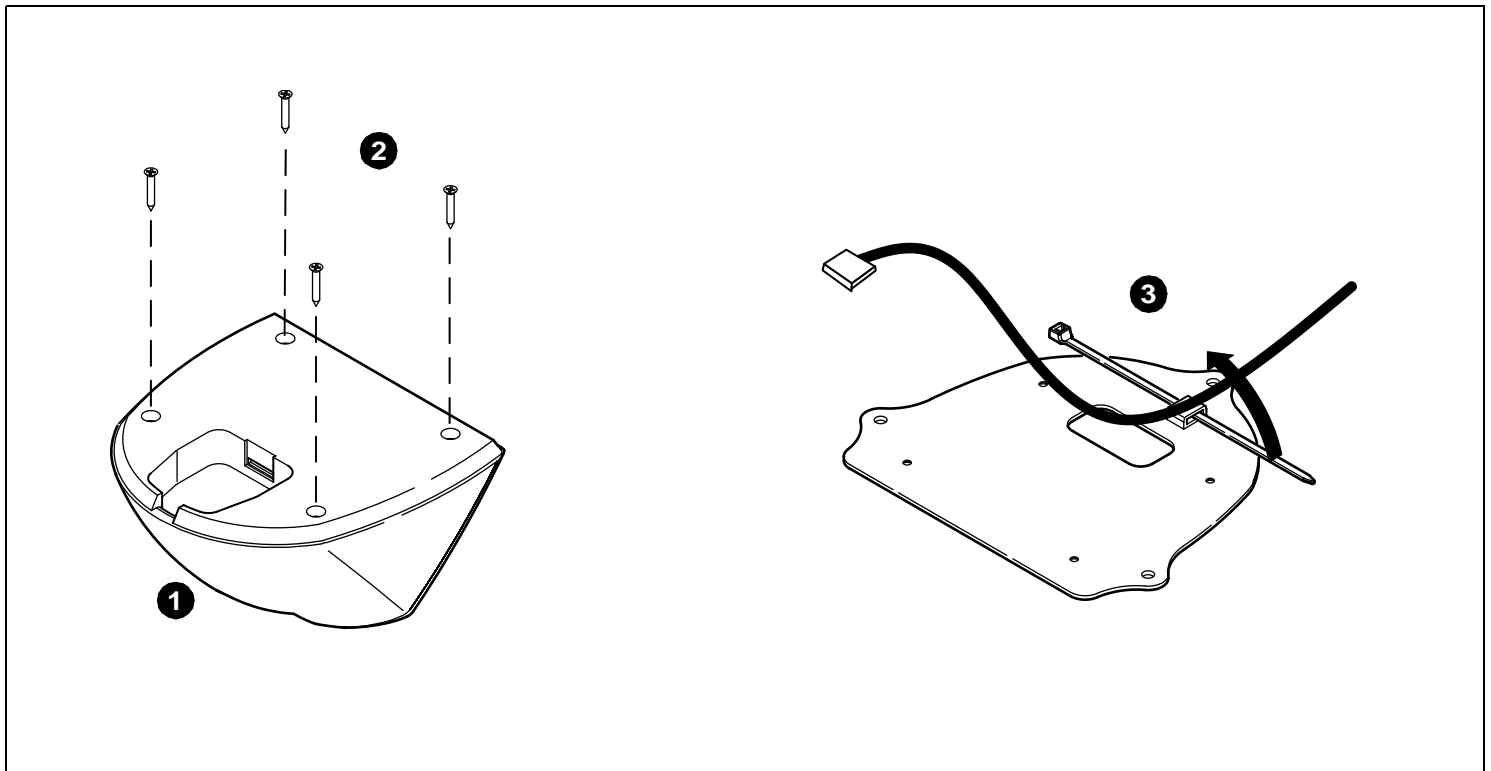


Figure 1:

Installation:



WARNING: OVERTIGHTENING OF SCREWS CAN DAMAGE PARTS! DO NOT over tighten screws.

1. Turn iPOD Hub over.
2. Remove four screws at bottom of iPOD Hub securing bottom to hub. (See Figure 1)
3. Using wire-tie, secure to wire to plate making sure there is enough slack in wire to attach connector to iPOD Hub. (See Figure 1)

Continued...

CSAV, Inc., and its affiliated corporations and subsidiaries (collectively, "CSAV"), intend to make this manual accurate and complete. However, CSAV makes no claim that the information contained herein covers all details, conditions or variations, nor does it provide for every possible contingency in connection with the installation or use of this product. The information contained in this document is subject to change without notice or obligation of any kind. CSAV makes no representation of warranty, expressed or implied, regarding the information contained herein. CSAV assumes no responsibility for accuracy, completeness or sufficiency of the information contained in this document.

INSTALLATION INSTRUCTIONS

Continued

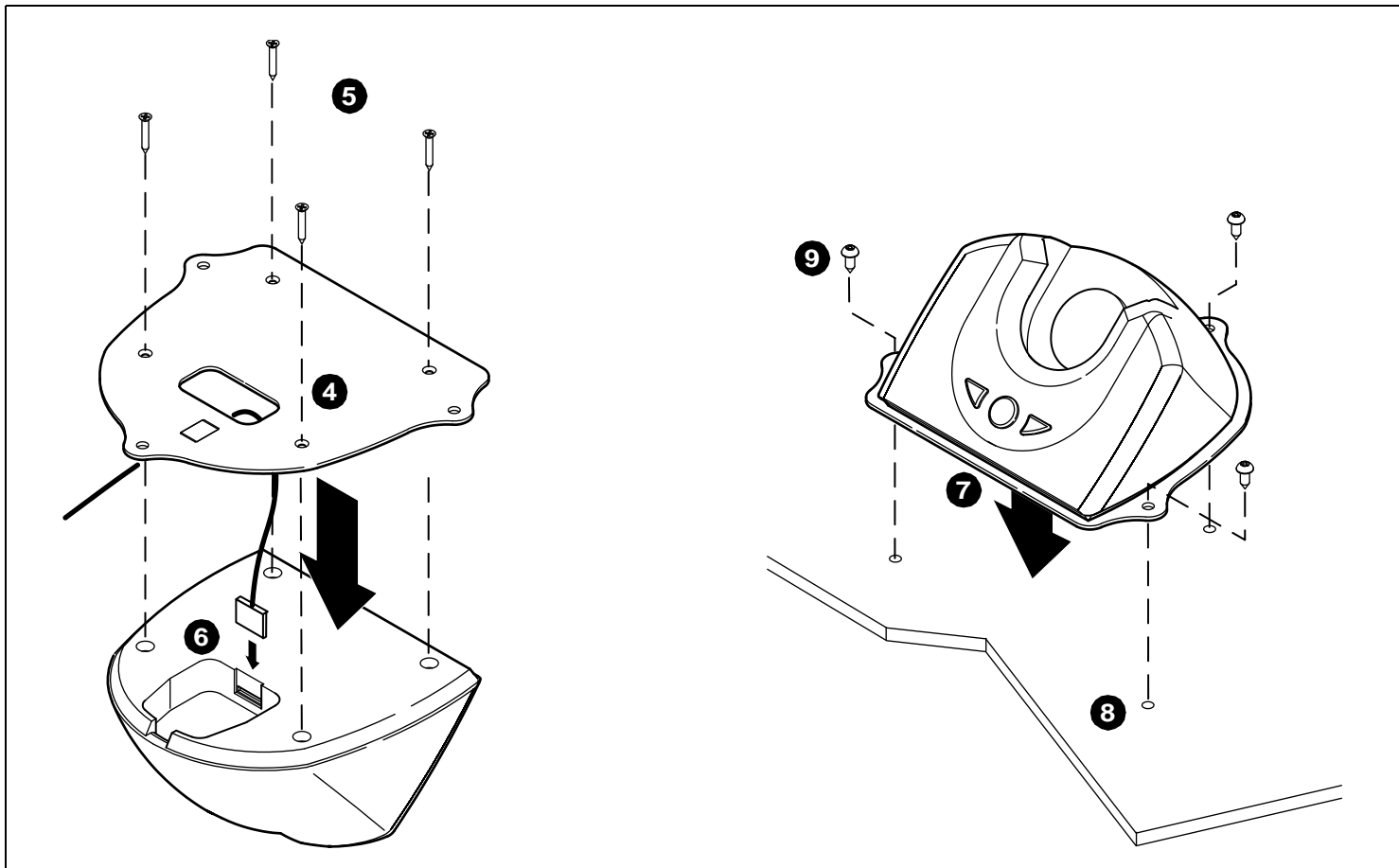


Figure 2:

4. Orient mounting bracket so that raised area is facing down and it is aligned with iPod Hub. (See Figure 2)
5. Secure mounting bracket to iPod Hub using four #4 x 3/4" Phillips flat head machine screws.
6. Connect data cable to iPod Hub using cutout in mounting bracket as access to connection. (See Figure 2)
7. Position iPod Hub with mounting bracket attached in desired mounting location.
8. Mark location of three mounting holes and drill three 1/8" dia. pilot holes into mounting surface at marked locations.
9. Secure iPod Hub with mounting bracket to mounting surface using three #10 x 1/2" button head security screws. (See Figure 2)