

INSTALLATION INSTRUCTIONS

MSP-GSMSB6350

DISPLAY MOUNTING BRACKET[®]

Prior to assembly, unpack carton completely and verify contents.

If you are missing any of the following components, please contact Customer Service at 1-800/582-6480

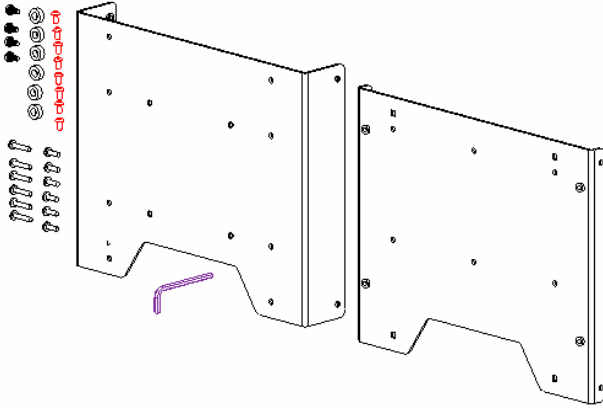
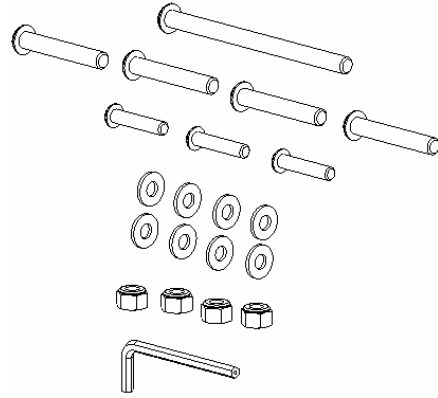


Figure 1



- (1) Interface Bracket Top
- (8) M4 x 8mm Security Button Head Screw (black)
- (6) M4 x 20mm Phillips Head Screw (silver)
- (4) 8-32 x .375" SEMS Screw with Lock Washer (silver)

- (1) Interface Bracket Bottom
- (6) M4 x 12mm Phillips Head Screw (Black)
- (6) .50 x .26 x .1875 White Nylon Spacer
- (1) 5/32" Security Hex Key

HARDWARE FOR JTS SWIVEL STAND

- (1) 5/16-18 x 4.5" Security Button Head Screw (black)
- (4) 5/16-18 x 2" Security Button Head Screw (black)
- (4) 5/16-18 Nylock Hex Nut (silver)

- (3) 1/4-20 x 1.25" Security Button Head Screw (black)
- (8) Flat Washer (black)
- (1) 3/16" Security Hex Key

BEFORE PROCEEDING, READ INSTALLATION INSTRUCTIONS COMPLETELY

CAUTION!

DISPLAYS ARE EXTREMELY FRAGILE.

WARNING!

ALL COMPONENTS MUST BE SECURELY FASTENED TO A STRUCTURAL MEMBER CAPABLE OF SUPPORTING 4 TIMES THE COMBINED WEIGHT OF ALL COMPONENTS PLUS THE EQUIPMENT BEING MOUNTED. IF IT CANNOT SUPPORT THIS WEIGHT, THE STRUCTURE MUST BE REINFORCED. THE MAXIMUM WEIGHT TO BE INSTALLED ON THE INTERFACE IS 125 POUNDS (79.38 KG).

NOTE: The screens using this interface have a media box attach directly to the back of the panel. This interface bracket requires the media box to be removed from the back of the panel and then attached directly to the bracket.

INSTALLATION: BRACKET TO BACK OF DISPLAY

1. Remove media box from back of display by removing the 4 screws attaching it to the panel.

- Place .1875" white nylon spacers over mounting holes on back of panel.
- Attach bottom bracket to back of display using the M4 x 12mm (black) or M4 x 20mm (silver) screws depending on maximum screws depth of screen (see Figure 2 & Figure 3). If possible, use the 20mm screws. If the screen has shallow mounting holes, the 12mm screws should be used in order to prevent damaging the inside of the screen. Do not over tighten screws.

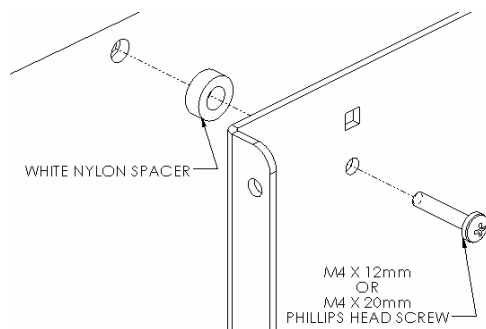


Figure 2

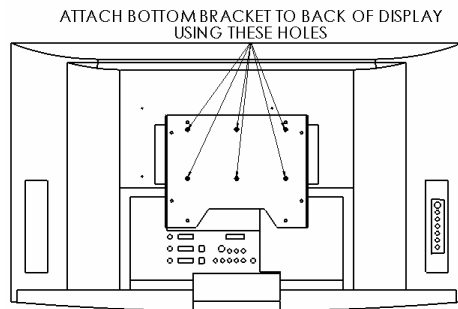


Figure 3

- Attach media box to bottom bracket using the 8-32 SEMS screws (see Figure 4 & Figure 5). Do not over tighten screws.

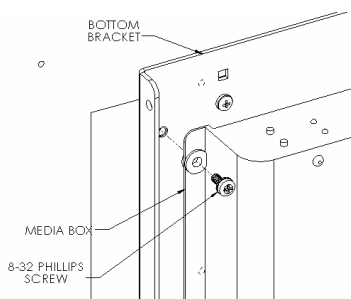


Figure 4

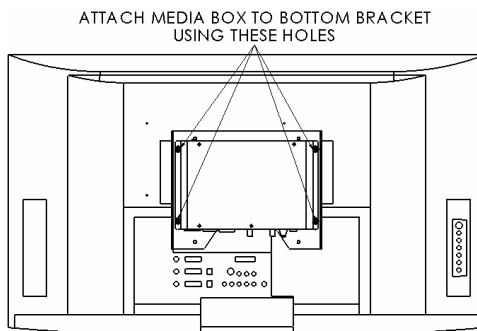


Figure 5

- Attach top and bottom brackets using four M4 x 8mm Security button head screws (see Figure 6 & Figure 7).

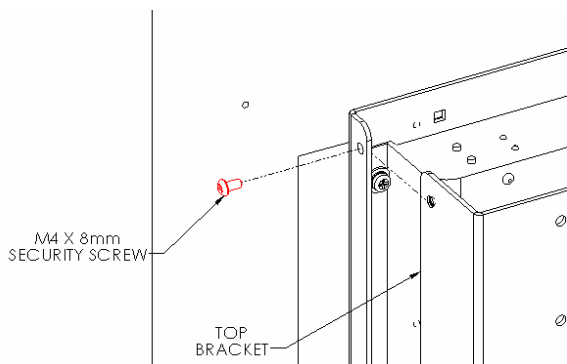


Figure 6

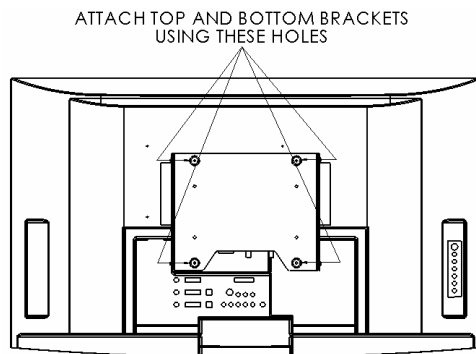


Figure 7

INSTALLATION: SECURITY HARDWARE FOR JTS SWIVEL STAND

6. Install JTS base to table top using the supplied 5/16-18 x 2" Security screws, flat washers and nylock nuts (see figure 8).

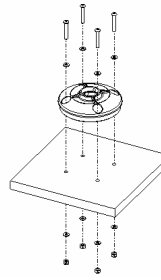


Figure 8

7. Replace regular 5/16-18 x 4.5" screw in JTS head assembly with the supplied Security screw (see Figure 9).

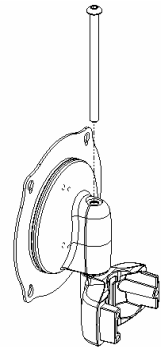


Figure 9

8. Use supplied 1/4-20 x 1.25" Security screws to attach head assembly to pole per JTS installation manual (see figure 10).
9. Follow JTS Table Stand manual for screen installation. Use the remaining M4 x 8mm Security button head screws to attach screen to JTS tables stand.

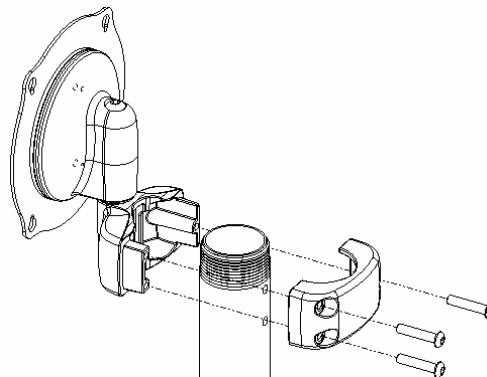


Figure 10

10. Follow JTS Table Stand manual for screen installation. Use the remaining M4 x 8mm Security button head screws to attach screen to JTS tables stand.