



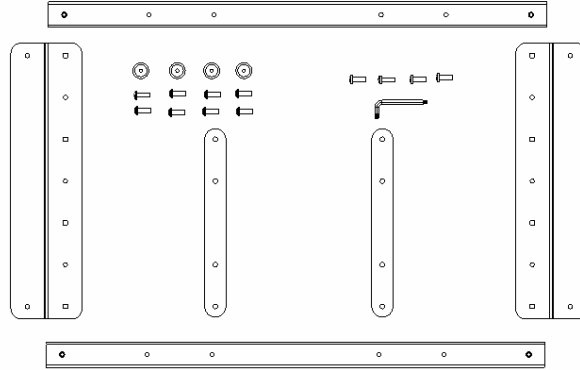
# INSTALLATION INSTRUCTIONS

## MSP-GSMSBPH37

### DISPLAY MOUNTING BRACKET

Prior to assembly, unpack carton completely and verify contents.

If you are missing any of the following components, please contact Customer Service at 1-800/582-6480



- |  |          |   |
|--|----------|---|
| (2) Interface Side Brackets                        | Figure 1 | (2) Interface Center Brackets                 |
| (2) Support Brackets                               |          | (4) Mounting Buttons – 10-24 tapped           |
| (8) 10-24 x .625" Phillips Head Cap Screws (black) |          | (4) M5 x 16mm Phillips Head Cap Screws (zinc) |
| (1) T25 Torx Key                                   |          |   |

BEFORE PROCEEDING, READ INSTALLATION INSTRUCTIONS COMPLETELY

## CAUTION!      DISPLAYS ARE EXTREMELY FRAGILE.

1. Remove existing mounting buttons and screws from back of screen using the torx key provided.
2. **Chief Q-latch Button Installation:** Using a black 10-24 philips head cap screw inserted from back side of bracket, secure support bracket and mounting button, with chamfered hole of mounting button (larger surface) facing support bracket, to center brackets (four places) (see Figure 2 & Figure 3a or Figure 3b).

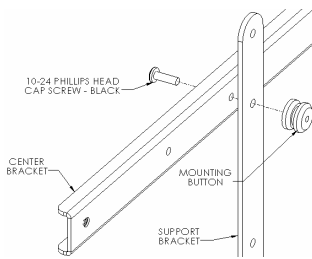


Figure 2

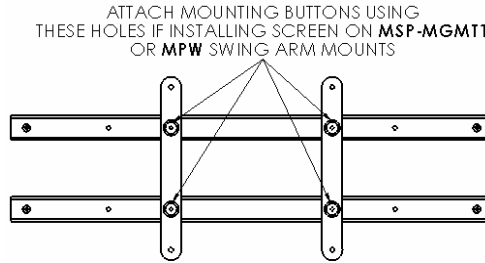


Figure 3a

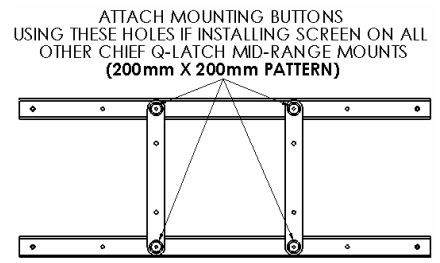


Figure 3b

3. **Side Bracket Assembly:** Attach center brackets to side brackets using black 10-24 phillips screws (see Figure 4 & Figure 5a or 5b). Use the circular holes for a 200mm X 100mm button pattern (used with MSP-MGMT1 and MPW mounts) or the square holes for a 200mm x 200mm button pattern (used with all other Chief Q-latch mid-range mounts).

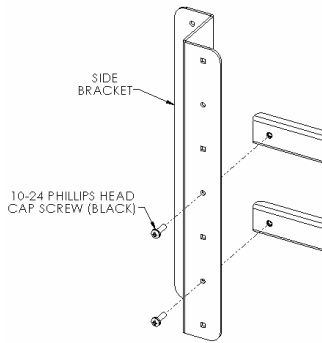


Figure 4

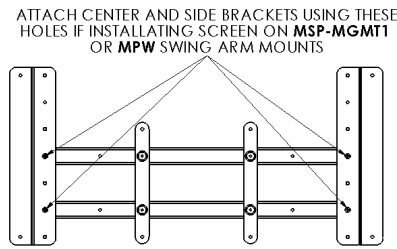


Figure 5a

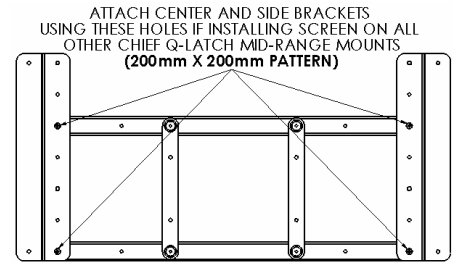


Figure 5b

4. **Interface Installation:** Using M5 screws, secure side brackets to display (see Figure 6 & Figure 7). Do not over tighten screws.
5. Follow the Chief mount instruction manual for screen installation.

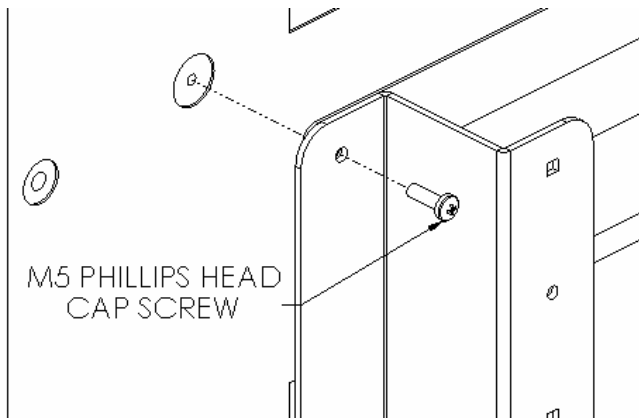


Figure 6

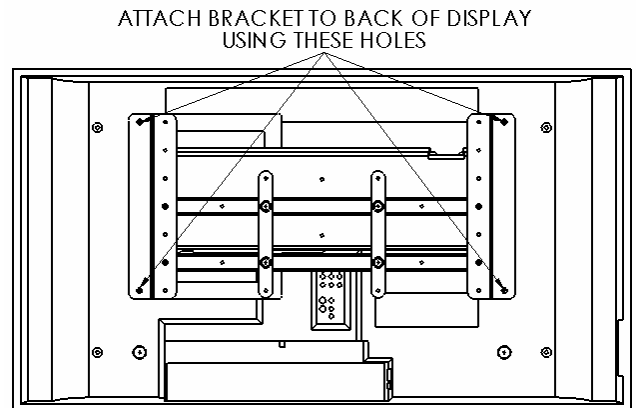


Figure 7