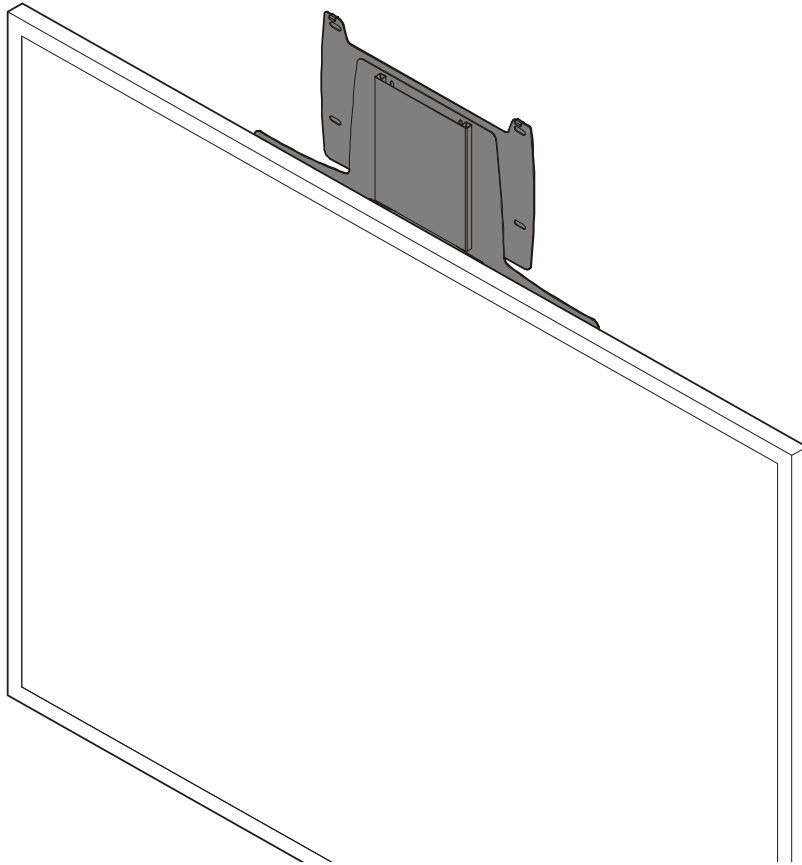

INSTALLATION INSTRUCTIONS



Short Throw and Whiteboard Mount

DISCLAIMER

Milestone AV Technologies and its affiliated corporations and subsidiaries (collectively "Milestone"), intend to make this manual accurate and complete. However, Milestone makes no claim that the information contained herein covers all details, conditions or variations, nor does it provide for every possible contingency in connection with the installation or use of this product. The information contained in this document is subject to change without notice or obligation of any kind. Milestone makes no representation of warranty, expressed or implied, regarding the information contained herein. Milestone assumes no responsibility for accuracy, completeness or sufficiency of the information contained in this document.

Chief® is a registered trademark of Milestone AV Technologies. All rights reserved.

! IMPORTANT WARNINGS AND CAUTIONS!

! WARNING: A WARNING alerts you to the possibility of serious injury or death if you do not follow the instructions.

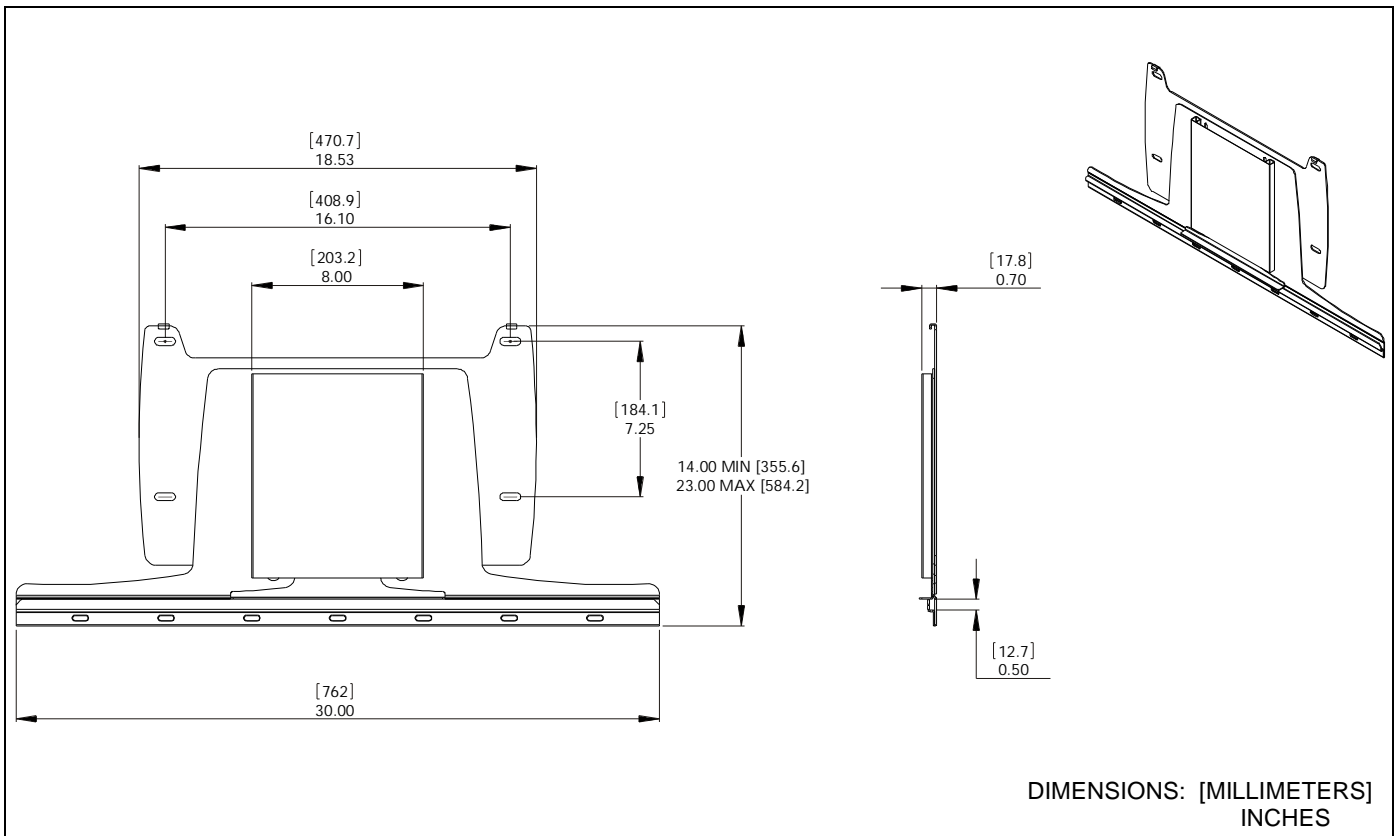
! CAUTION: A CAUTION alerts you to the possibility of damage or destruction of equipment if you do not follow the corresponding instructions.

! WARNING: Failure to read, thoroughly understand, and follow all instructions can result in serious personal injury, damage to equipment, or voiding of factory warranty! It is the installer's responsibility to make sure all components are properly assembled and installed using the instructions provided.

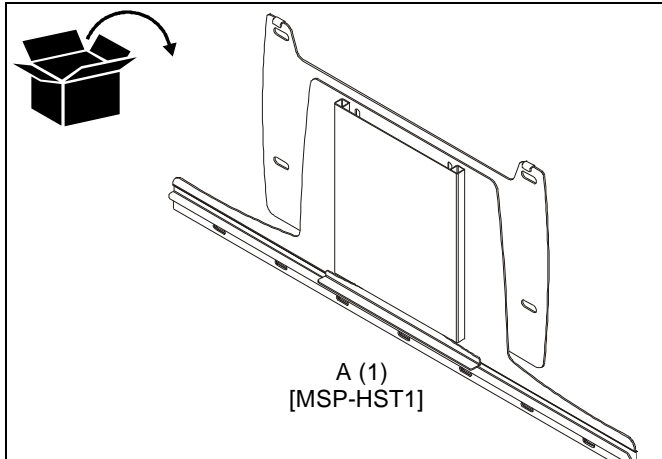
! WARNING: Failure to provide adequate structural strength for this component can result in serious personal injury or damage to equipment! It is the installer's responsibility to make sure the structure to which this component is attached can support five times the combined weight of all equipment. Reinforce the structure as required before installing the component. The wall to which the mount is being attached may have a maximum drywall thickness of 5/8" (1.6cm). Do not install drywall anchors into the seam between drywall pieces.

! WARNING: Exceeding the weight capacity can result in serious personal injury or damage to equipment! It is the installer's responsibility to ensure that weight of components does not exceed the following: Whiteboard maximum weight is 40 lbs (18.1 kg); Projector mount maximum weight capacity is 50 lbs (22.7 kg). Use with products heavier than the maximum weight indicated may result in collapse of the mount and its accessories causing possible injury.

DIMENSIONS



PARTS INCLUDED



INSTALLATION

1. Determine location of short throw mount following installation instructions included with short throw mount.
2. Hook top of MSP-HST1 over short throw mount. (See Figure 1)
3. Install MSP-HST1 with short throw mount to wall using hardware appropriate for wall construction and following installation instructions included with short throw mount. (See Figure 1)

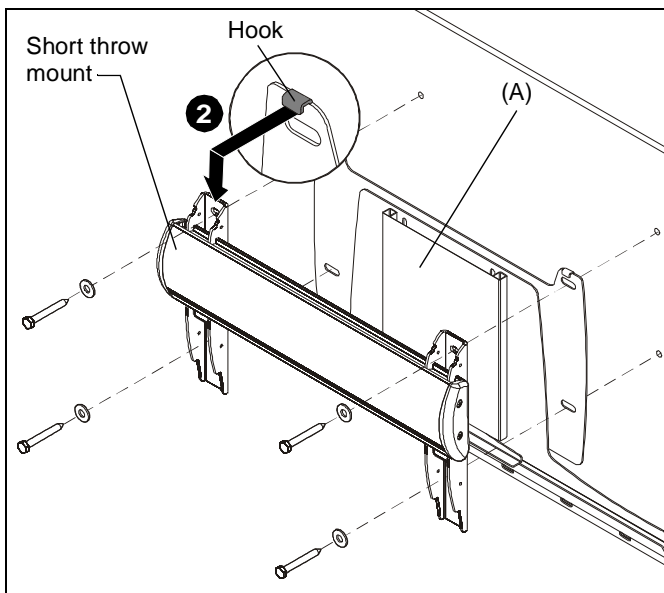


Figure 1

4. Slide panel up to allow access to adjustment points. (See Figure 2)
5. Loosen two outer nuts. (See Figure 2)
6. Adjust panel to set whiteboard height. (See Figure 2)
7. Tighten two outer nuts. (See Figure 2)

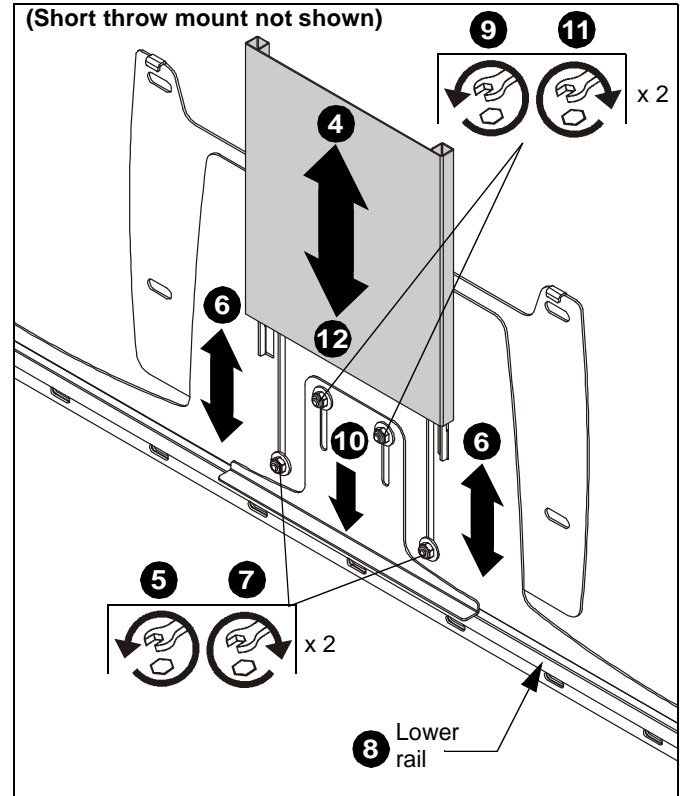


Figure 2

8. Place whiteboard onto MSP-HST1 lower rail. (See Figure 2) and (See Figure 3)
9. Loosen two middle nuts. (See Figure 2)
10. Secure whiteboard by lowering center bracket against whiteboard. (See Figure 2)
11. Tighten two middle nuts. (See Figure 2)
12. Lower cover panel into place. (See Figure 2)

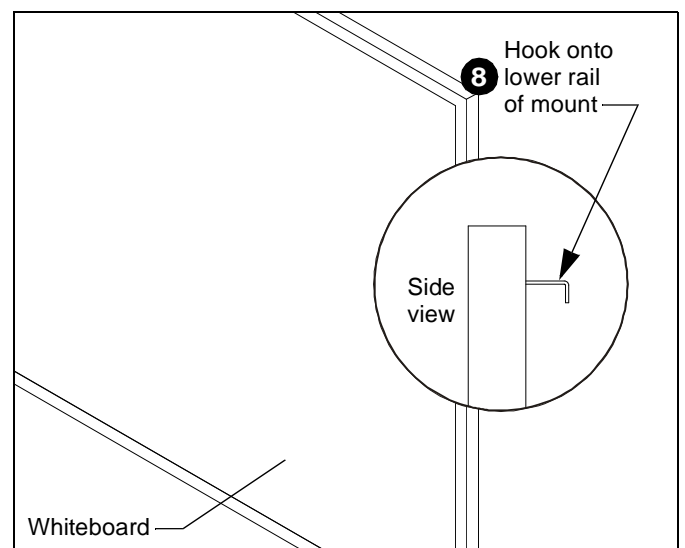


Figure 3



Our Mounts. **Your Vision.**

Chief Manufacturing, a products division
of Milestone AV Technologies

8832-002071 Rev00
©2011 Milestone AV Technologies, a
Duchossois Group Company
www.chiefmfg.com
04/11

USA/International	A 8401 Eagle Creek Parkway, Savage, MN 55378 P 800.582.6480 / 952.894.6280 F 877.894.6918 / 952.894.6918
Europe	A Fellenoord 130 5611 ZB EINDHOVEN, The Netherlands P +31 (0)40 2668620 F +31 (0)40 2668615
Asia Pacific	A Office No. 1 on 12/F, Shatin Galleria 18-24 Shan Mei Street Fotan, Shatin, Hong Kong P 852 2145 4099 F 852 2145 4477

