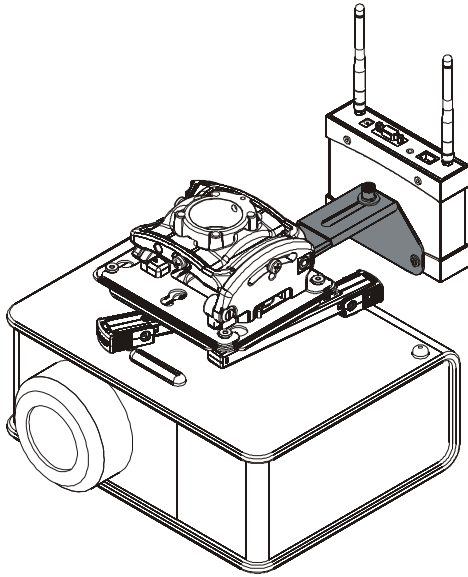
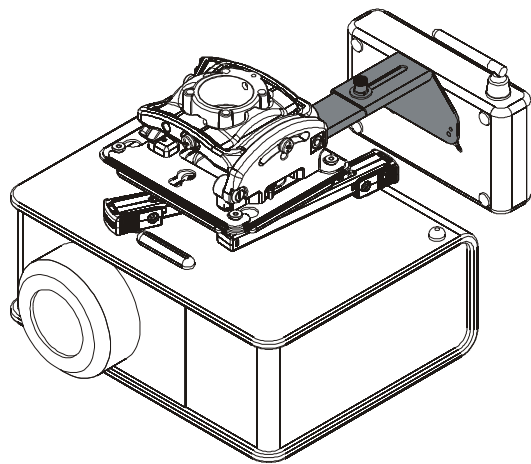

INSTALLATION INSTRUCTIONS



Use with LiteShow3



Use with LiteShow2

InFocus LiteShow Adapter Bracket

InFocus

PRJ-MNT-LS3

DISCLAIMER

InFocus and its affiliated corporations and subsidiaries (collectively "InFocus"), intend to make this manual accurate and complete. However, InFocus makes no claim that the information contained herein covers all details, conditions or variations, nor does it provide for every possible contingency in connection with the installation or use of this product. The information contained in this document is subject to change without notice or obligation of any kind. InFocus makes no representation of warranty, expressed or implied, regarding the information contained herein. InFocus assumes no responsibility for accuracy, completeness or sufficiency of the information contained in this document.

! IMPORTANT WARNINGS AND CAUTIONS!

! WARNING: A WARNING alerts you to the possibility of serious injury or death if you do not follow the instructions.

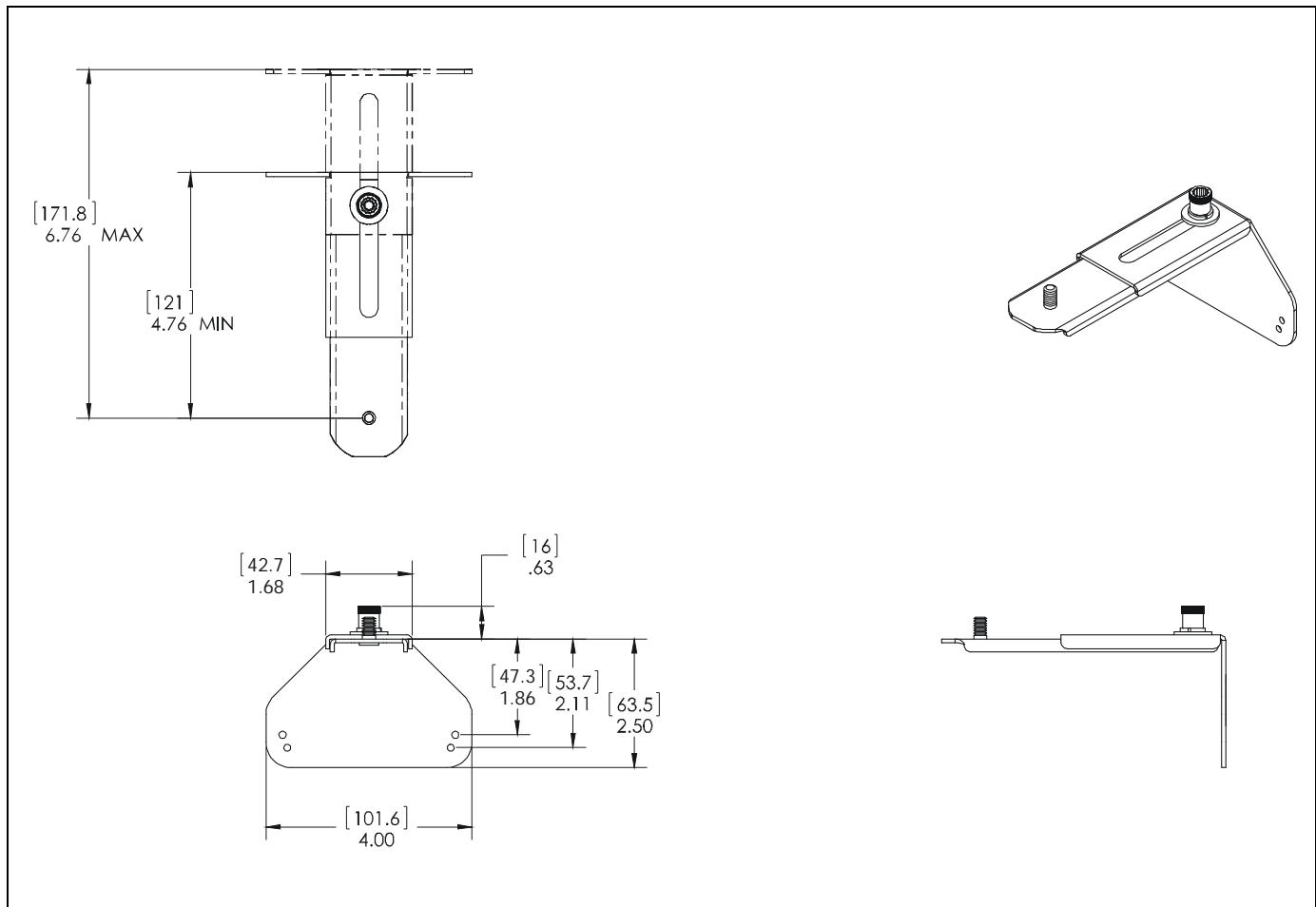
! CAUTION: A CAUTION alerts you to the possibility of damage or destruction of equipment if you do not follow the corresponding instructions.

! WARNING: Failure to read, thoroughly understand, and follow all instructions can result in serious personal injury, damage to equipment, or voiding of factory warranty! It is the installer's responsibility to make sure all components are properly assembled and installed using the instructions provided.



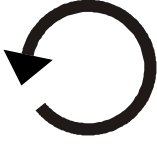


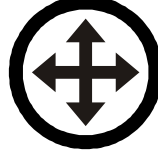






! WARNING: Exceeding the weight capacity can result in serious personal injury or damage to equipment! It is the installer's responsibility to make sure the combined weight of all components attached to the LiteShow adapter bracket up to (and including) the modem does not exceed 2 lbs (0.91 kg).

! WARNING: Do NOT install the LiteShow adapter bracket in a position where it may impede intake or exhaust venting on the projector! Blocking the ventilation can cause the projector to overheat!

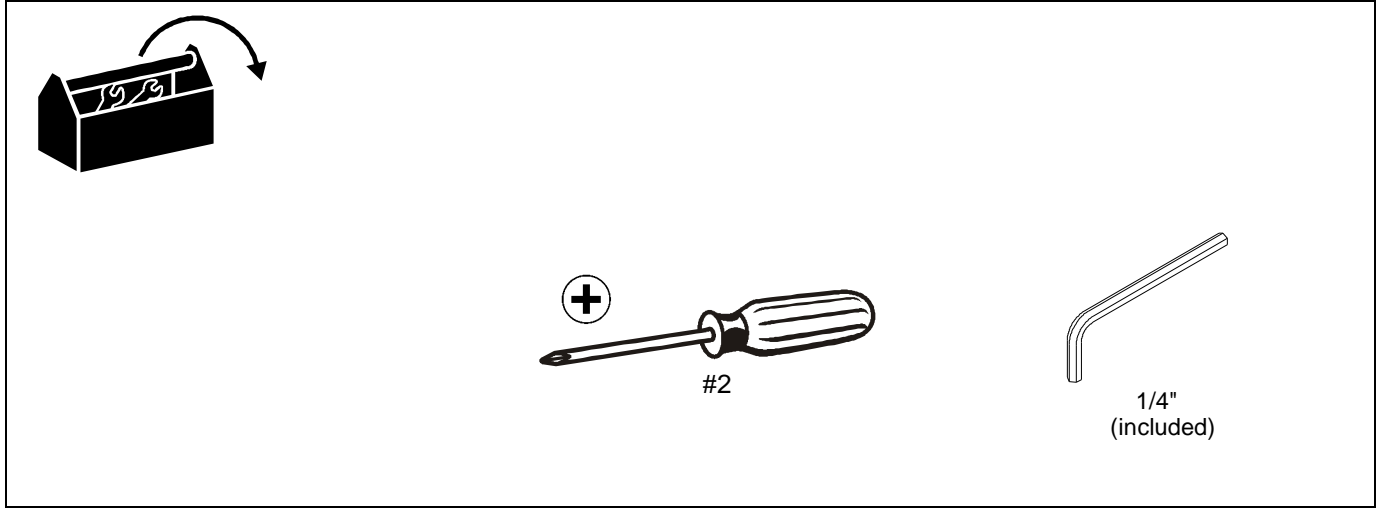
DIMENSIONS



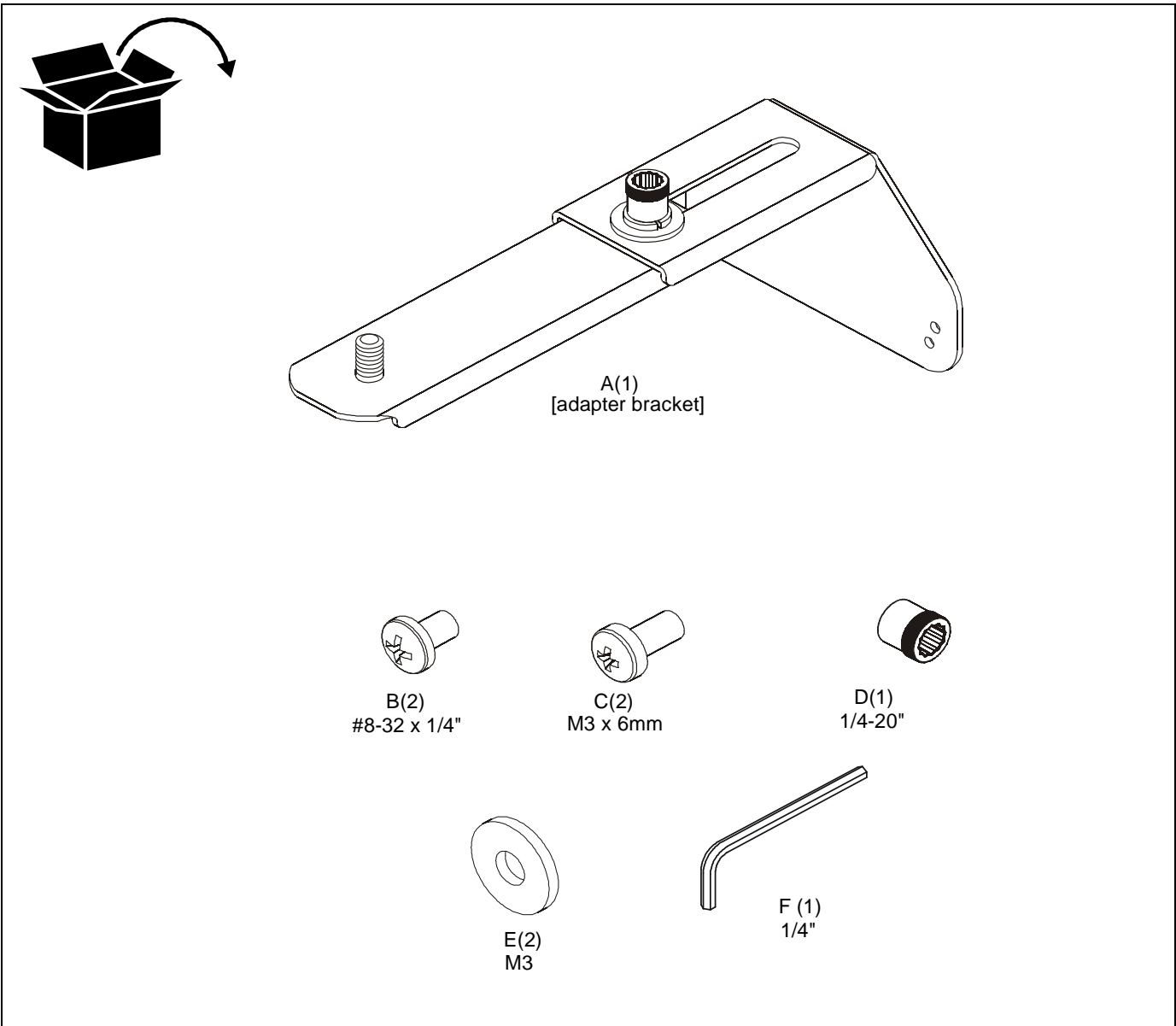
LEGEND

	<p>Tighten Fastener Apretar elemento de fijación Befestigungsteil festziehen Apertar fixador Serrare il fissaggio Bevestiging vastdraaien Serrez les fixations</p>		<p>Pencil Mark Marcar con lápiz Stiftmarkierung Marcar com lápis Segno a matita Potloodmerkteken Marquage au crayon</p>
	<p>Loosen Fastener Aflojar elemento de fijación Befestigungsteil lösen Desapertar fixador Allentare il fissaggio Bevestiging losdraaien Desserrez les fixations</p>		<p>Drill Hole Perforar Bohrloch Fazer furo Praticare un foro Gat boren Percez un trou</p>
	<p>Phillips Screwdriver Destornillador Phillips Kreuzschlitzschraubendreher Chave de fendas Phillips Cacciavite a stella Kruiskopschroevendraaier Tournevis à pointe cruciforme</p>		<p>Adjust Ajustar Einstellen Ajustar Regolare Afstellen Ajuster</p>
	<p>Open-Ended Wrench Llave de boca Gabelschlüssel Chave de bocas Chiave a punte aperte Steeksleutel Clé à fourche</p>		<p>Remove Quitar Entfernen Remover Rimuovere Verwijderen Retirez</p>
	<p>By Hand A mano Von Hand Com a mão A mano Met de hand À la main</p>		<p>Optional Opcional Optional Opcional Opzionale Optie En option</p>
	<p>Hex-Head Wrench Llave de cabeza hexagonal Sechskantschlüssel Chave de cabeça sextavada Chiave esagonale Zeskantsleutel Clé à tête hexagonale</p>		<p>Security Wrench Llave de seguridad Sicherheitsschlüssel Chave de segurança Chiave di sicurezza Veiligheidssleutel Clé de sécurité</p>

TOOLS REQUIRED FOR INSTALLATION



PARTS



Assembly and Installation

Attach to LiteShow3 Wireless Adapter

1. Use two M3x6mm Phillips pan machine screws (C) and two flat washers (E) to attach adapter bracket (A) to LiteShow3 Wireless Adapter. (See Figure 1)



WARNING: Exceeding the weight capacity can result in serious personal injury or damage to equipment! It is the installer's responsibility to make sure the combined weight of all components attached to the LiteShow adapter up to (and including) the modem does not exceed 2 lbs (0.91 kg).

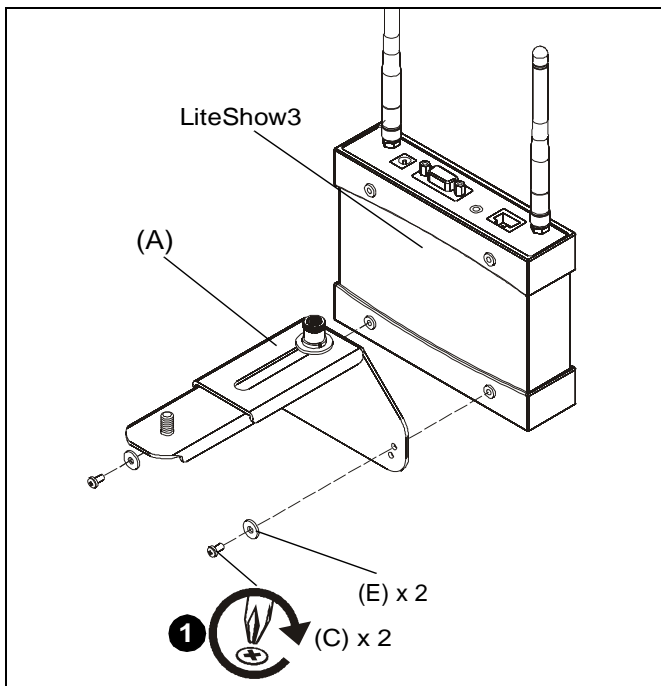


Figure 1

Attach to LiteShow2 Wireless Adapter

1. Install two #8-32 x 1/4" Phillips pan machine screws (B) into lower holes on back of adapter bracket (A). (See Figure 2) Install screws until screw tips are flush with the inside of the adapter bracket. (See Figure 3)

IMPORTANT ! : Do NOT thread screws too far or screw heads may not properly fit into diagonal slots in Step 2!

2. Insert heads of screws installed in Step 1 into diagonal slots on LiteShow2 Wireless Adapter. (See Figure 2)



WARNING: Exceeding the weight capacity can result in serious personal injury or damage to equipment! It is the installer's responsibility to make sure the combined weight of all components attached to the LiteShow adapter up to (and including) the modem does not exceed 2 lbs (0.91 kg).

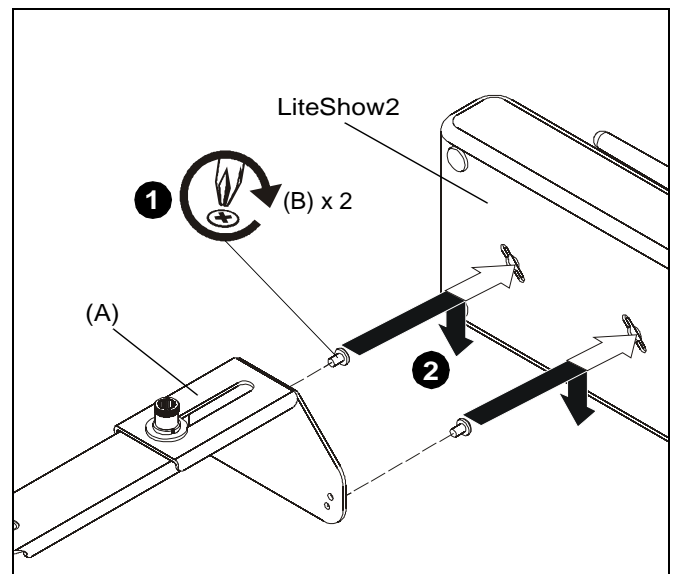


Figure 2

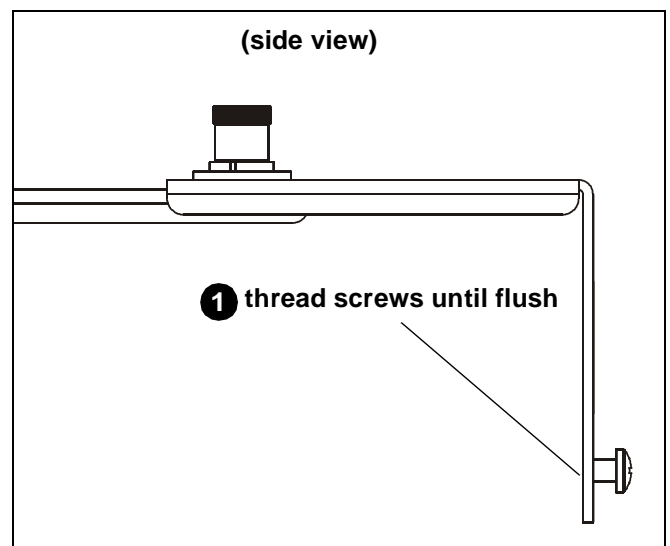


Figure 3

Attach to Projector Mount

1. Attach projector mount to projector following projector mount installation instructions.
2. Use 1/4-20" Allen nut (D) and 1/4" hex key (F) to attach projector mount plate to adapter bracket (A). (See Figure 4)



WARNING: Do NOT install the LiteShow adapter bracket in a position where it may impede intake or exhaust venting on the projector! Blocking the ventilation can cause the projector to overheat!

NOTE: LiteShow wireless adapters may be installed on any side of the projector except for the front of the projector. (See Figure 6)

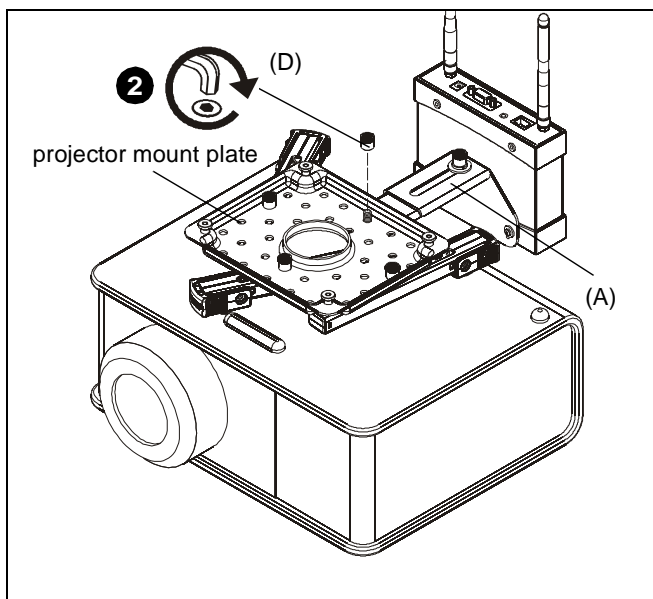


Figure 4

Adjustments

1. Loosen allen nut on adapter bracket until bracket's extension can be adjusted. (See Figure 5)
2. Slide adapter bracket in either direction until desired mounting position is reached. (See Figure 5)
3. Tighten allen nut on adapter bracket. (See Figure 5)

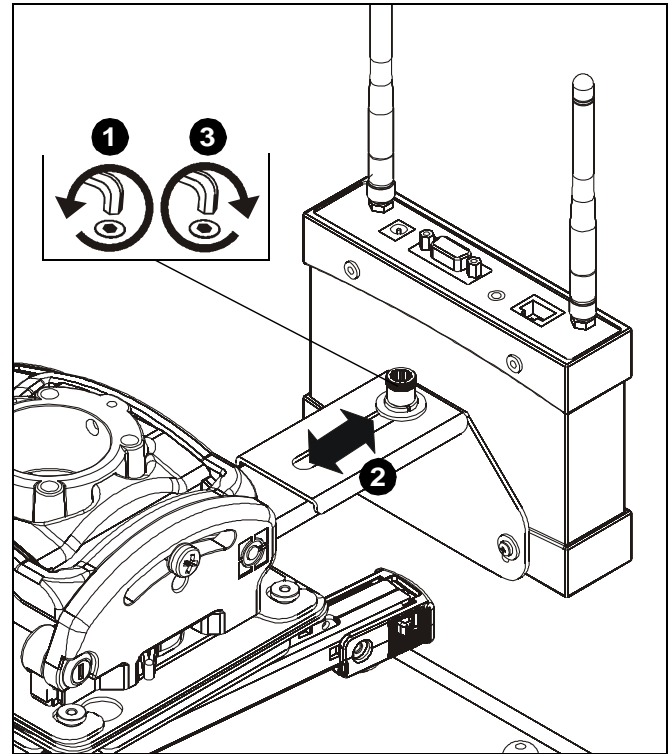


Figure 5

3. Complete installation following projector mount instructions.

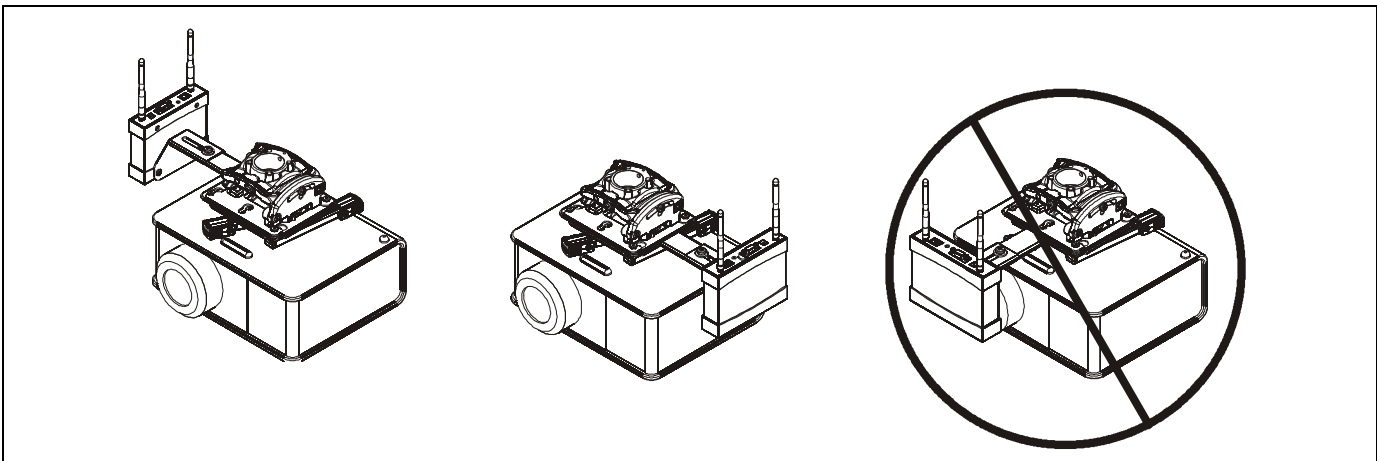


Figure 6

InFocus

8800-002083 REV 00
©2011 InFocus Corporation
www.infocus.com
05/11

InFocus Corporation

13190 SW 68th Parkway, Ste 200
Portland, OR 97223

