

MODEL: INF-MOBCART Interface Bracket Addendum

Your INF-MOBCART includes a set of universal instructions for both the cart and the interface bracket. Please refer to them for detailed installation instructions. However, please reference Figures 3 and 5 below for specific tips on screw placement for the interface bracket onto the INF5520 Mondopad.

Figure 3 (page 5 of Interface Bracket Instructions): Use the (L) M8x30 screws and (MA) "nested" nesting spacers to attach the (R) vertical mounting brackets to the Mondopad. **NOTE:** No flat washers are used.

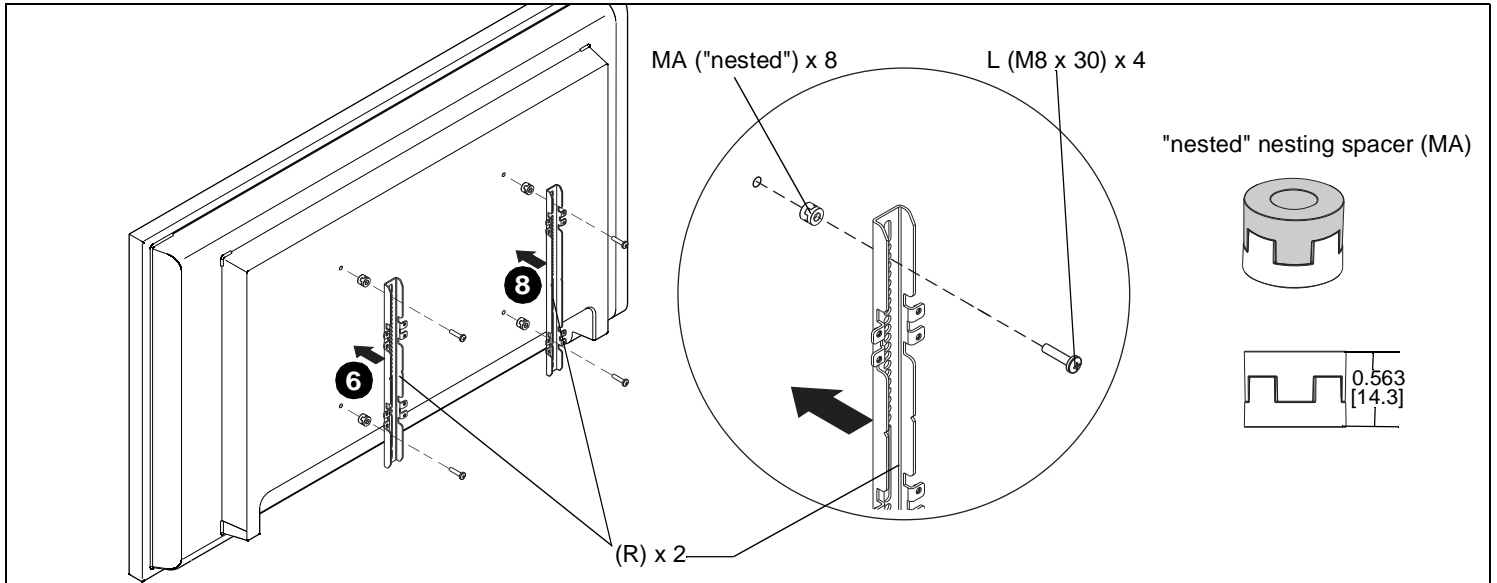
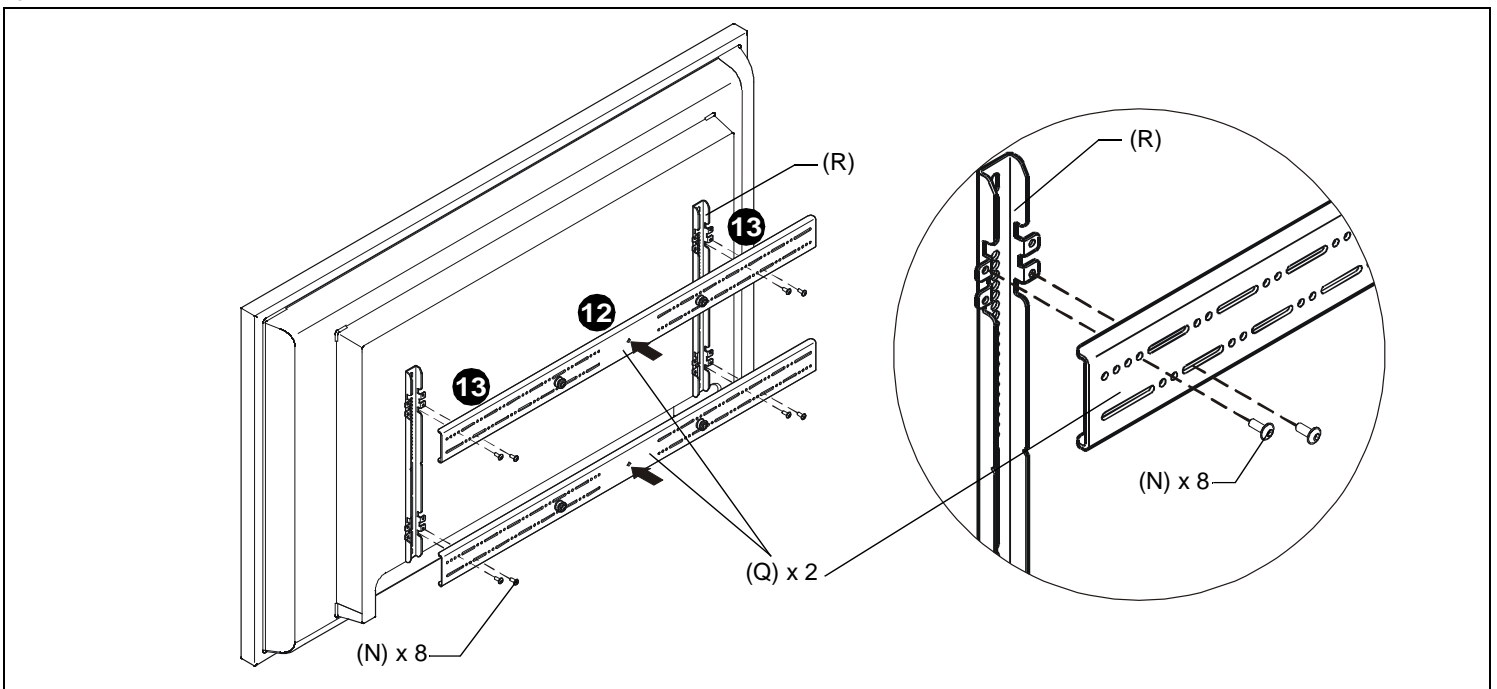


Figure 5 (page 6 of Interface Bracket instructions): When attaching the (N) x 8 screws, use the image below to align the left-hand and right-hand screws.



InFocus and its affiliated corporations and subsidiaries (collectively, "InFocus"), intend to make this manual accurate and complete. However, InFocus makes no claim that the information contained herein covers all details, conditions or variations, nor does it provide for every possible contingency in connection with the installation or use of this product. The information contained in this document is subject to change without notice or obligation of any kind. InFocus makes no representation of warranty, expressed or implied, regarding the information contained herein. InFocus assumes no responsibility for accuracy, completeness or sufficiency of the information contained in this document.