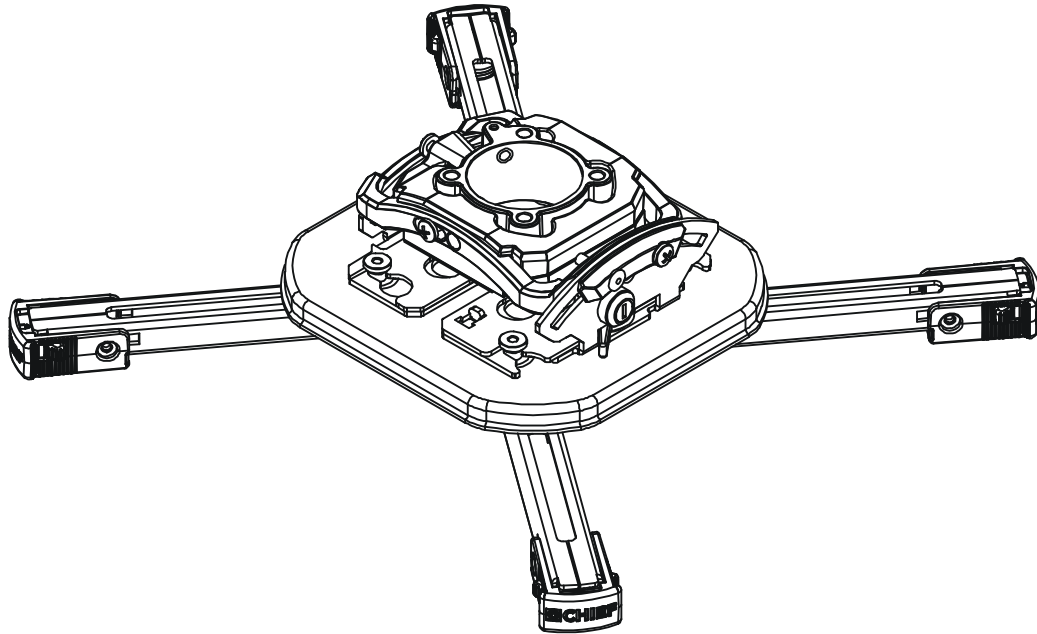


---

# INSTALLATION INSTRUCTIONS

---



---

## Projector Mount with Universal Interface

---

---

***InFocus***

---

**MSP-IFRSMAUS**

---

**DISCLAIMER**

InFocus and its affiliated corporations and subsidiaries (collectively "InFocus"), intend to make this manual accurate and complete. However, InFocus makes no claim that the information contained herein covers all details, conditions or variations, nor does it provide for every possible contingency in connection with the installation or use of this product. The information contained in this document is subject to change without notice or obligation of any kind. InFocus makes no representation of warranty, expressed or implied, regarding the information contained herein. InFocus assumes no responsibility for accuracy, completeness or sufficiency of the information contained in this document.

**! IMPORTANT SAFETY INSTRUCTIONS**

**! WARNING:** A WARNING alerts you to the possibility of serious injury or death if you do not follow the instructions.

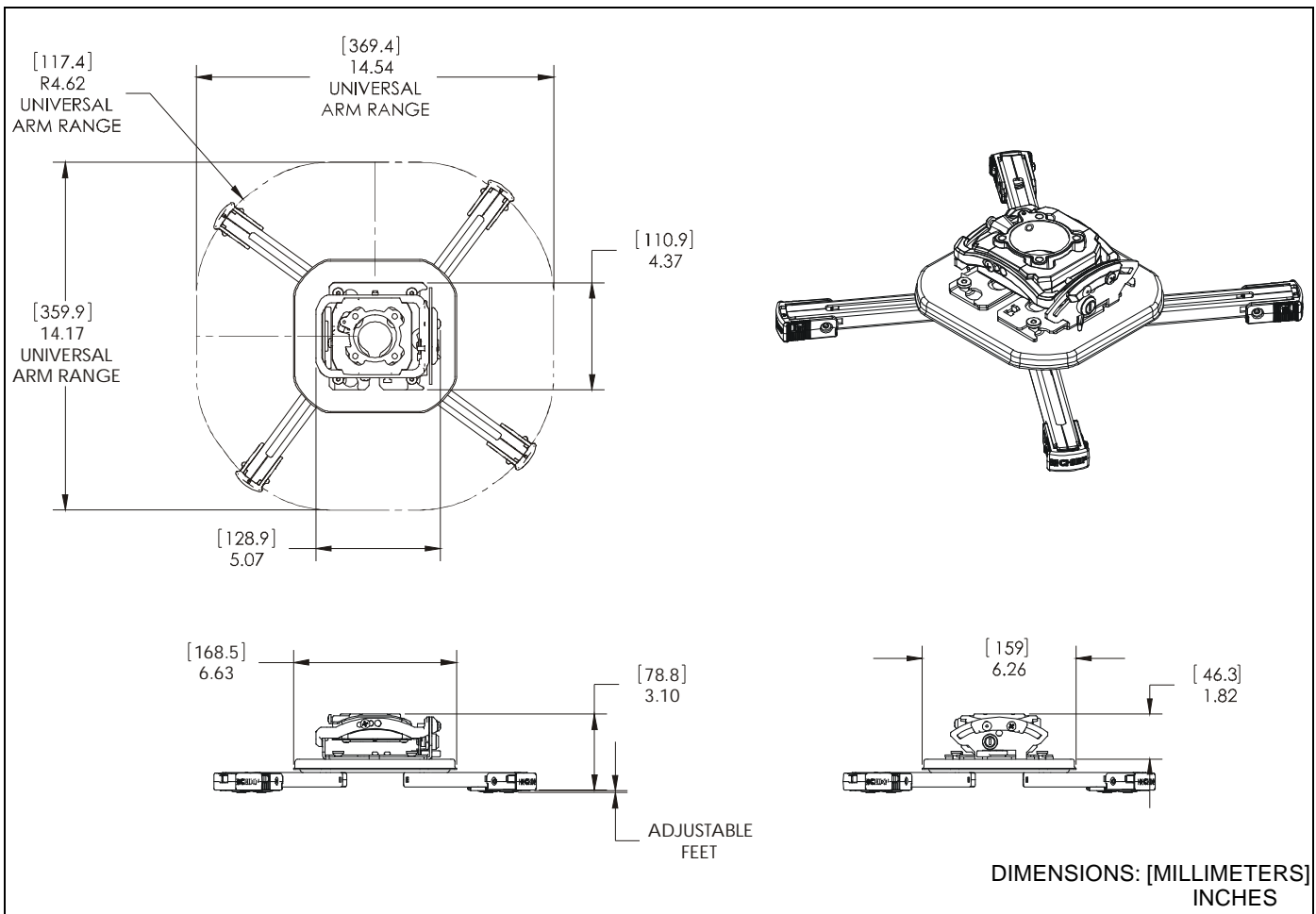
**! CAUTION:** A CAUTION alerts you to the possibility of damage or destruction of equipment if you do not follow the corresponding instructions.

**! WARNING:** Failure to read, thoroughly understand, and follow all instructions can result in serious personal injury, damage to equipment, or voiding of factory warranty! It is the installer's responsibility to make sure all components are properly assembled and installed using the instructions provided.

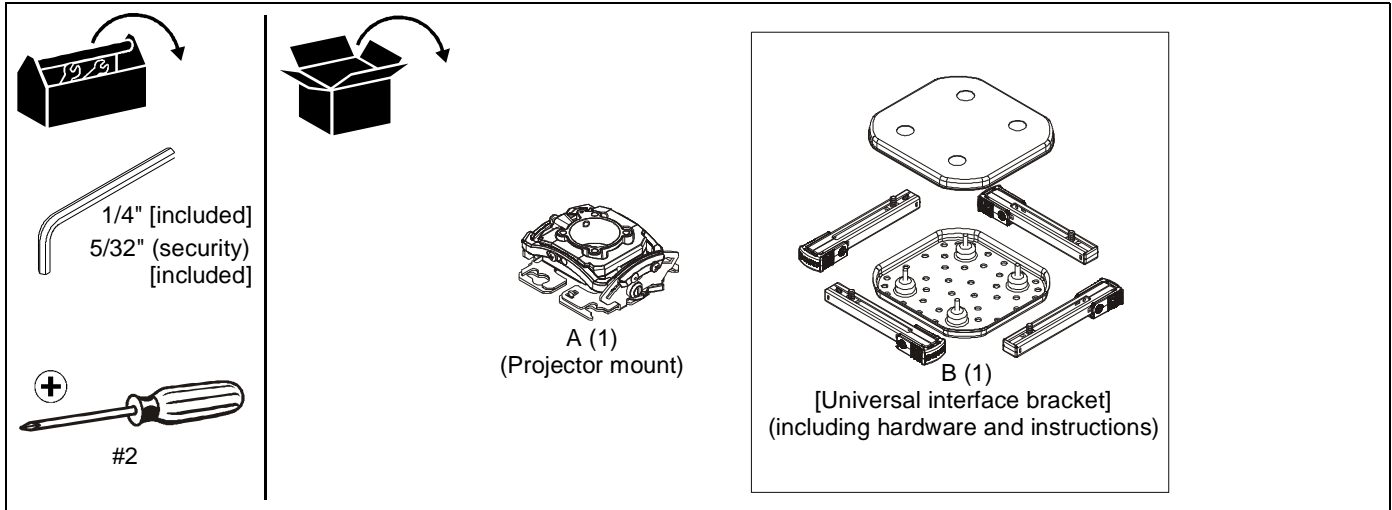
**! WARNING:** Failure to provide adequate structural strength for this component can result in serious personal injury or damage to equipment! It is the installer's responsibility to make sure the structure to which this component is attached can support five times the combined weight of all equipment. Reinforce the structure as required before installing the component.

**! WARNING:** Exceeding the weight capacity can result in serious personal injury or damage to equipment! It is the installer's responsibility to make sure the combined weight of all components attached to the short throw projector mounts up to (and including) the projector does not exceed 25 lbs (11.34 kg) for the MSP-IFRSMAUS.

**DIMENSIONS**



**TOOLS REQUIRED FOR INSTALLATION / PARTS**



**ASSEMBLY**

1. Assemble universal interface bracket (B) to projector using hardware and instructions included with interface bracket.
2. Assemble projector mount (A) to mount using hardware and instructions included with mount.
3. Attach projector with universal interface bracket to projector mount following instructions included with mount.

**InFocus**

8800-002244 Rev00  
©2012 InFocus Corporation  
[www.infocus.com](http://www.infocus.com)  
09/12

**InFocus Corporation**

13190 SW 68th Parkway, Ste 200  
Portland, OR 97223

