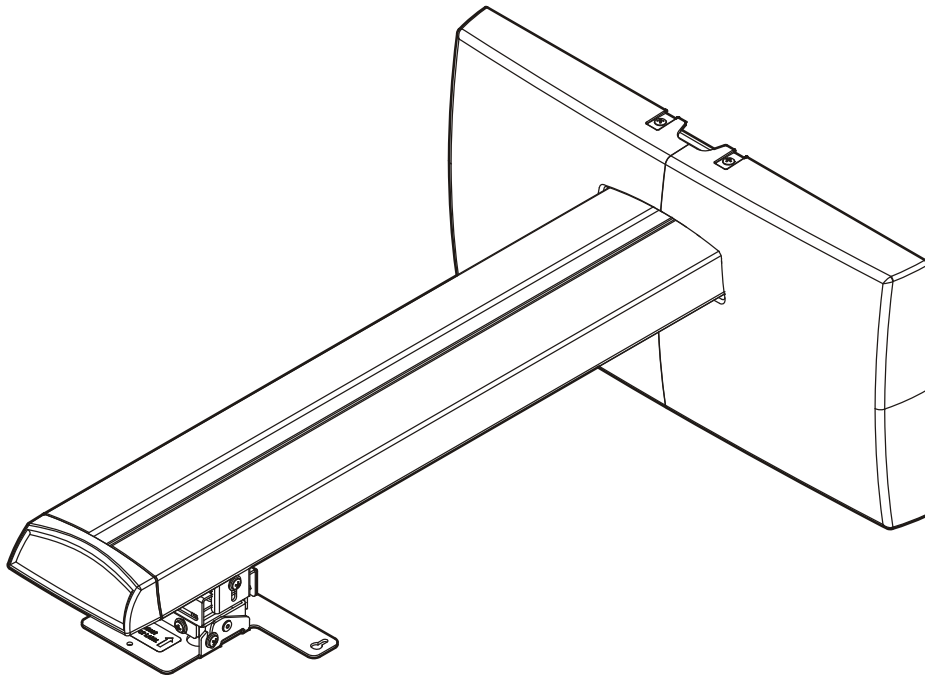


---

# INSTALLATION INSTRUCTIONS

---



---

**Short Throw Wall Mount**

---

---

***InFocus***

**PRJ-WALLKIT-13**

---

## DISCLAIMER

InFocus and its affiliated corporations and subsidiaries (collectively "InFocus"), intend to make this manual accurate and complete. However, InFocus makes no claim that the information contained herein covers all details, conditions or variations, nor does it provide for every possible contingency in connection with the installation or use of this product. The information contained in this document is subject to change without notice or obligation of any kind. InFocus makes no representation of warranty, expressed or implied, regarding the information contained herein. InFocus assumes no responsibility for accuracy, completeness or sufficiency of the information contained in this document.



## IMPORTANT SAFETY INSTRUCTIONS



**WARNING:** A WARNING alerts you to the possibility of serious injury or death if you do not follow the instructions.



**CAUTION:** A CAUTION alerts you to the possibility of damage or destruction of equipment if you do not follow the corresponding instructions.



**WARNING:** Failure to read, thoroughly understand, and follow all instructions can result in serious personal injury, damage to equipment, or voiding of factory warranty! It is the installer's responsibility to make sure all components are properly assembled and installed using the instructions provided.



**WARNING:** Failure to provide adequate structural strength for this component can result in serious personal injury or damage to equipment! It is the installer's responsibility to make sure the structure to which this component is attached can support five times the combined weight of all equipment. Reinforce the structure as required before installing the component. The wall to which the mount is being attached may have a maximum drywall thickness of 5/8" (1.6cm) for wood stud installation, and 1/2" (1.3cm) minimum for steel stud installation.



**WARNING:** Exceeding the weight capacity can result in serious personal injury or damage to equipment! It is the installer's responsibility to make sure the weight of the projector does not exceed 25 lbs (11.3 kg).



**WARNING:** Use this mounting system only for its intended use as described in these instructions. Do not use attachments not recommended by the manufacturer.



**WARNING:** Never operate this mounting system if it is damaged. Return the mounting system to a service center for examination and repair.



**WARNING:** Do not use this product outdoors.

**IMPORTANT ! :** The PRJ-WALLKIT-13 short throw projector mount is designed to be mounted to:

- an 8" thick bare concrete wall;
- an 8"x8"x16" bare concrete block wall;
- a 2"x4" wood stud (16" on center) wall covered with drywall of 5/8" maximum thickness; or
- a steel stud (16" on center) wall covered with drywall of 1/2" minimum thickness.

**--SAVE THESE INSTRUCTIONS--**

**LEGEND**

	<b>Tighten Fastener</b>		
	Apretar elemento de fijación	留め具を締める	
	Befestigungsteil festziehen	上紧紧固件	
	Serrez les fixations	旋緊扣件	
	Serrare il fissaggio	패스너 조이기	
	Apertar fixador	ตึงสายรัดให้แน่น	
	<b>Pencil Mark</b>		
	Marcar con lápiz	鉛筆で印を付ける	
	Stiftmarkierung	鉛筆标记	
	Marquage au crayon	鉛筆標記	
	Segno a matita	연필 표시	
	Marcar com lápis	ดินสอทำเครื่องหมาย	
	<b>Loosen Fastener</b>		
	Afajar elemento de fijación	留め具を緩める	
	Befestigungsteil lösen	松开紧固件	
	Desserrez les fixations	鬆開扣件	
	Allentare il fissaggio	패스너 풀기	
	Soltar fixador	คลายสายรัดให้หลวม	
	<b>Drill Hole</b>		
	Perforar	ドリルで穴を開ける	
	Bohrloch	钻孔	
	Percez un trou	鑽孔	
	Praticare un foro	드릴 구멍	
	Perfurar	เจาะรู	
	<b>Phillips Screwdriver</b>		
	Destornillador Phillips	プラスドライバー	
	Kreuzschlitzschraubendreher	十字螺丝刀	
	Tournevis à pointe cruciforme	十字螺絲起子	
	Cacciavite a stella	십자 나사드라이버	
	Chave de fendas Phillips	ไขควงปากแฉก	
	<b>Adjust</b>		
	Ajustar	調節する	
	Einstellen	调节	
	Ajuster	調整	
	Regolare	조정	
	Regular	ปรับ	
	<b>Open-Ended Wrench</b>		
	Llave de boca	スパナ	
	Gabelschlüssel	开口扳手	
	Clé à fourche	雙頭扳手	
	Chiave a punta aperte	양입 렌치	
	Chave de porcas aberta	ประแจปากตาย	
	<b>Hex-Head Wrench</b>		
	Llave de cabeza hexagonal	六角レンチ	
	Sechskantschlüssel	六头扳手	
	Clé à tête hexagonale	六角扳手	
	Chiave esagonale	육각 렌치	
	Chave sextavada	ประแจหัวหกเหลี่ยม	
	<b>By Hand</b>		
	A mano	手で行う	
	Von Hand	手动	
	À la main	以手操作	
	A mano	손으로	
	À mão	ด้วยมือ	
	<b>Socket Wrench</b>		
	Llave de cubo	ソケットレンチ	
	Steckschlüssel	套筒扳手	
	Clé à douilles	套筒扳手	
	Chiave a brugola	소켓 렌치	
	Chave de tubos	ประแจกระบอก	
	<b>Hammer</b>		
	Martillo	ハンマー	
	Hammer	锤子	
	Marteau	鐵鎚	
	Martello	망치	
	Martelo	ค้อน	
	<b>Measure</b>		
	Medir	メジャー	
	Messen	測量	
	Mesurer	測量	
	Misura	줄자	
	Medir	วัด	

**TOOLS REQUIRED FOR INSTALLATION**

**Hardware required, NOT INCLUDED:**

Steel Stud Install

- 4 - Toggler® 1/4-20 (BB) Snap-Toggle
- 4 - Grade 2 or better 1/4-20 x 1-3/4" Phillips pan head screws
- 4 - Grade 2 or better 1/4" washer

Concrete Install

- 4 - Fischer UX 10 x 60 anchors [P/N 077871], **OR**
- Toggler A8/AF8 anchors

Wood Stud Install and Concrete Install

- 4 - Grade 2 or better 5/16 x 2-1/2" hex head lag screws
- 4 - Grade 2 or better 5/16" washers

1/2" - steel stud  
 3/8" / 5/16" - concrete  
 7/32" - wood stud

**PARTS**

**A (1)**  
[Short throw projector arm]

**B (1)**  
[Wall plate]

**C (1)**  
[Arm adjust plate]

**D (1)**  
[End cap]

**E (1)**  
[Wall cover - right]

**F (1)**  
[Wall cover - left]

**G (2)**  
[Dual stud bracket]

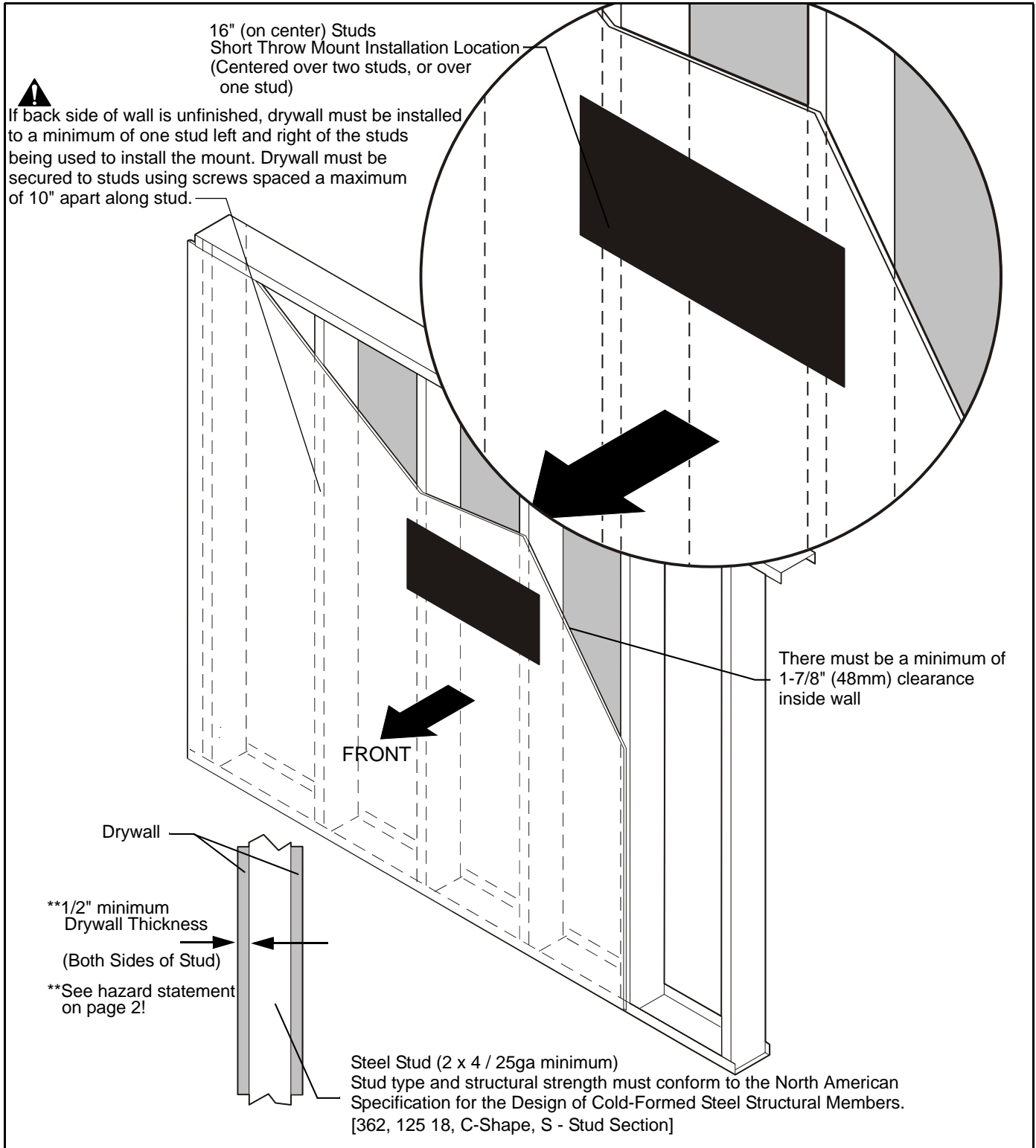
**H (1)** [Hardware kit]

- HA (4) M4 x 8mm [one not used]
- HB (4) 10-24 x 5/8"
- HC (1) 5/32"
- HD (2) 1/4-20 x 3/4"
- HE (1) 1/4-20 x 1-1/4"
- HF (4) 5/16"

### Site Requirements



**WARNING:** IMPROPER INSTALLATION CAN LEAD TO EQUIPMENT FALLING CAUSING SERIOUS PERSONAL INJURY OR DAMAGE TO EQUIPMENT! The figure below identifies the minimum requirements for installation of mount onto a steel stud structure. If the structure or its components do not meet these requirements contact the mount manufacturer for specific instructions before attempting installation. It should also be noted that no other equipment should be mounted to the same stud.



## ASSEMBLY AND INSTALLATION

The PRJ-WALLKIT-13 short throw projector mount is designed to be mounted to solid concrete, hollow concrete block, 2" x 4" wood studs (16" on center), or steel studs (16" on center).

### Assembling Wall Plate to Brackets

**IMPORTANT !** : This step must be taken for **BOTH** single **AND** dual stud installations!

1. Attach wall plate (B) to two dual stud brackets (G) using four 5/16" lock nuts (HF). (See Figure 1)

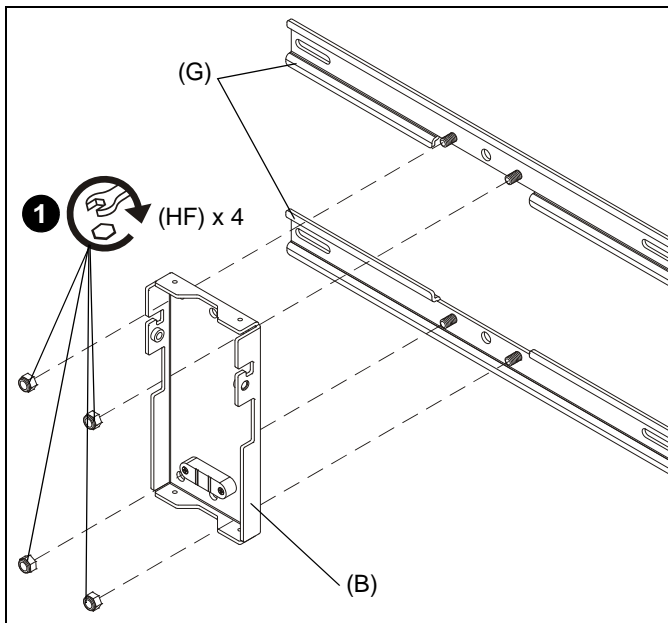


Figure 1

**NOTE:** Proceed to the **Concrete or Concrete Block, Wood Studs or Steel Studs** section, as appropriate for installation.

### Concrete or Concrete Block

1. Using wall plate/bracket assembly, mark four mounting holes (dual stud), or two mounting holes (single stud) in wall plate. (See Figure 2)
2. Drill one 3/8" hole at one of the marked locations in wall. (See Figure 2)
3. Install either one Fischer UX 10 x 60 anchor [Part number 077871] (not included) or one Hilti HUD-L 10x70 anchor (not included) into one of the drilled holes. (See Figure 2)
4. Install one Grade 2 or better 5/16 x 2-1/2" hex head lag screw (not included) through one Grade 2 or better 5/16" washer (not included), one mounting hole in wall bracket and into one Fischer or Hilti anchor (not included). (See Figure 2)
5. Level wall bracket using attached bubble level.
6. Make any necessary corrections to remaining mounting hole marking(s).
7. Repeat Steps 2 through 4 for remaining mounting hole(s).

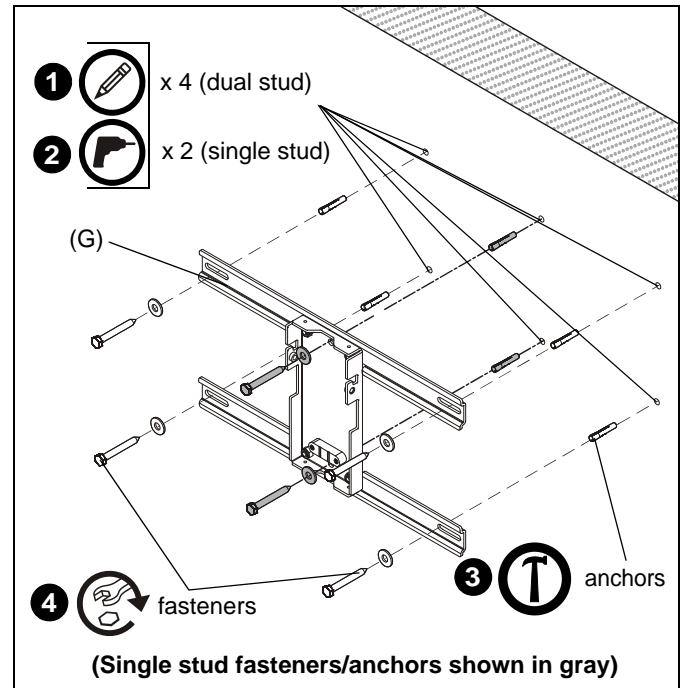
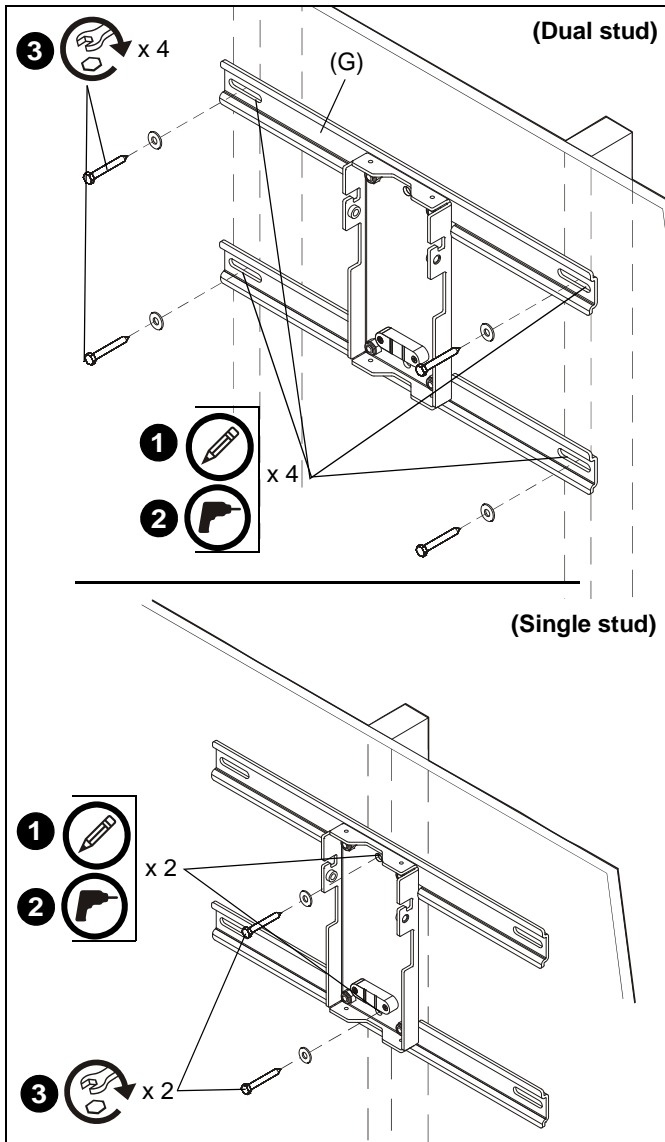


Figure 2

**NOTE:** Proceed to **Installing Short Throw Projector Arm to Bracket** section to continue installation.

**Wood Studs**

1. Using a stud finder and wall plate/bracket assembly, mark four preliminary mounting holes (dual stud) over center of wood studs, or two mounting holes (single stud) in wall plate. (See Figure 3)
2. Drill one 7/32" hole at marked location in wall. (See Figure 3)
3. Install one Grade 2 or better 5/16 x 2-1/2" hex head lag screw (not included) through one Grade 2 or better 5/16" washer (not included), hole in wall bracket and into drilled hole. (See Figure 3)



**Figure 3**

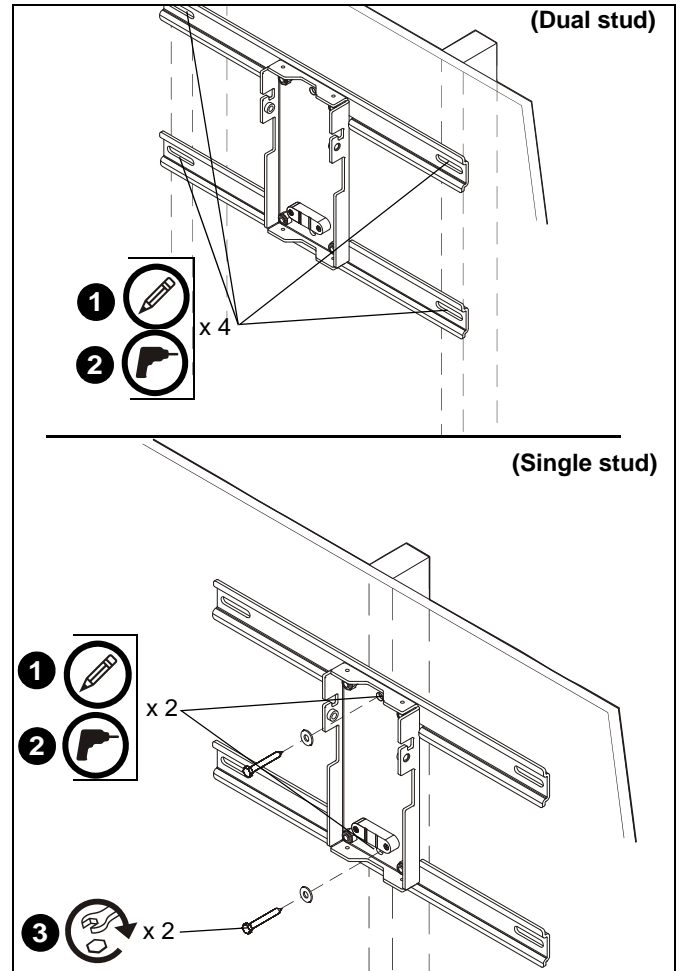
4. Level wall bracket using attached bubble level.
5. Make any necessary corrections to remaining mounting hole marking(s).
6. Repeat Steps 2 and 3 for remaining mounting hole(s).

**NOTE:** Proceed to **Installing Short Throw Projector Arm to Bracket** section to continue installation.

**Steel Studs**

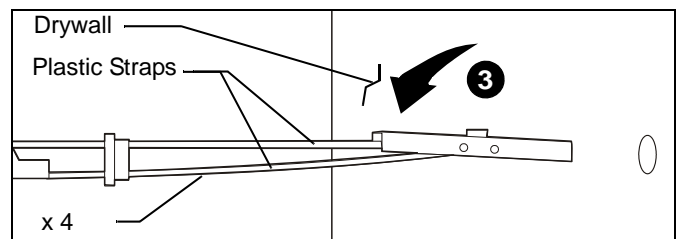
**IMPORTANT ! :** See **Site Requirements** section before proceeding with Steel Studs installation to ensure installation site meets requirements! The drywall must have a minimum thickness of 1/2"!

1. Using a stud finder and wall plate/bracket assembly, mark four preliminary mounting holes over center of steel studs, or two mounting holes (single stud) in wall plate. (See Figure 4)
2. Drill one 1/2" hole at marked location on wall. (See Figure 4)



**Figure 4**

3. Hold metal channel on Toggler® 1/4-20 (BB) Snap-Toggle (not included) flat alongside plastic straps and slide channel through hole. (See Figure 5)



**Figure 5**

4. Holding plastic straps on anchor, pull anchor away from wall until channel rests flush behind wall making sure anchor channel is positioned vertically on stud. (See Figure 6)
5. Slide plastic cap on anchor towards wall until flange of cap is flush with wall. (See Figure 6)

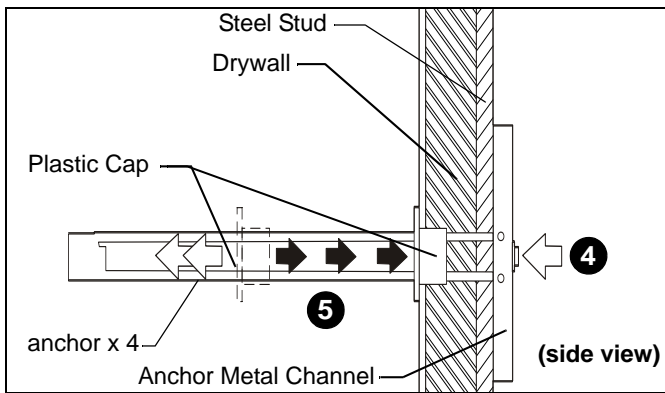


Figure 6

6. Snap off plastic straps on anchor at wall by pushing side to side, snapping off straps level with flange of plastic cap. (See Figure 7)

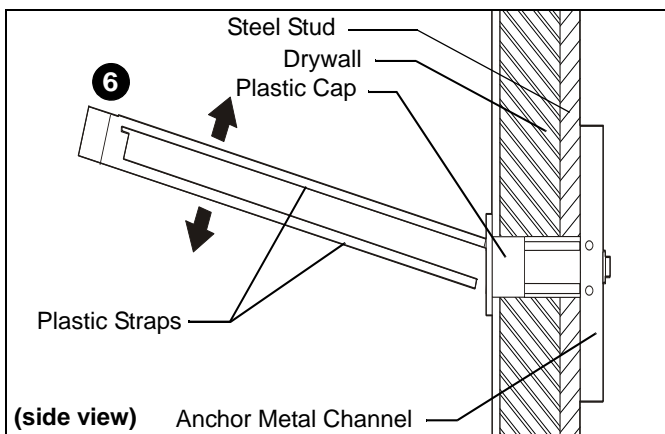


Figure 7

7. Place wall bracket over anchor and align mounting hole in wall bracket with hole in anchor. (See Figure 8)
8. Insert Grade 2 or better 1/4-20 x 1-3/4" Phillips pan head screw (not included) through Grade 2 or better 1/4" washer (not included), corresponding mounting hole on wall bracket and into Snap-Toggle (not included) and tighten until flush against mount. DO NOT overtighten! (See Figure 8)

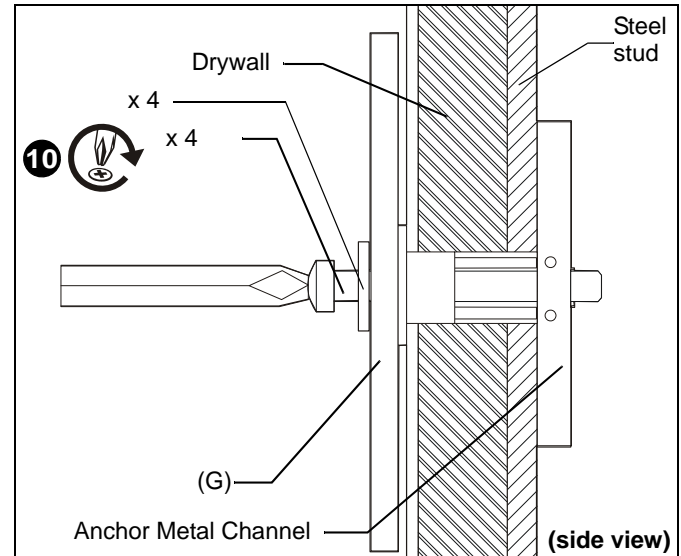


Figure 8

9. Level wall bracket using attached bubble level.
10. Make any necessary corrections to remaining mounting hole marking(s).
11. Repeat Steps 2 through 8 for remaining mounting hole(s).

### Adjusting Projector Mount

Lower projector mount [attached to short throw projector arm (A)] to lowest position. (See Figure 9)

1. Loosen two screws (one on each side of projector mount). (See Figure 9)
2. Turn the button head cap screw on top of mount counterclockwise to lower the mount. (See Figure 9)
3. Loosen four hex head bolts. (See Figure 9)



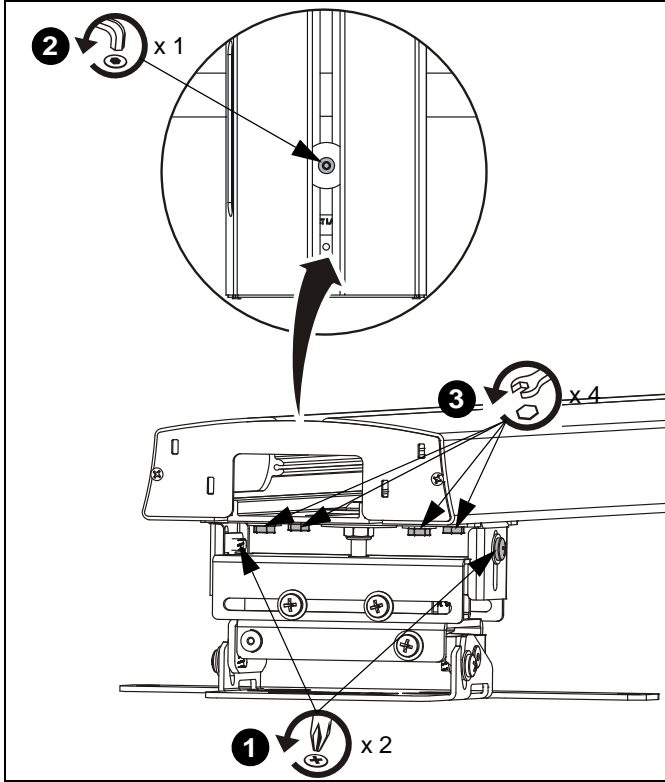


Figure 9

**Installing Short Throw Projector Arm to Bracket**

1. Attach arm adjust plate (C) to wall plate ensuring that adjust plate tabs fit into notches on wall plate. Insert and slightly tighten one 1/4-20 x 1-1/4" button head cap screw (HE). (See Figure 10)

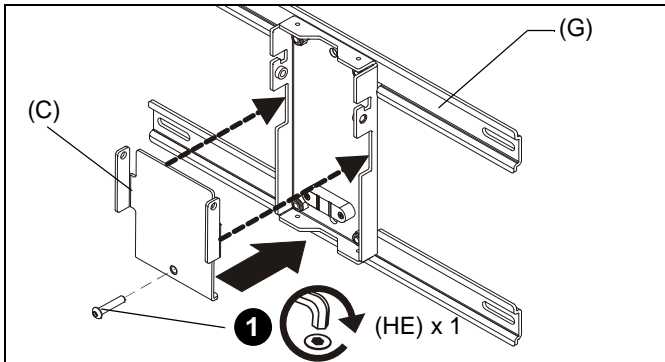


Figure 10

2. Lift short throw projector arm (A) up to wall plate (B) and place projector arm slots over wall plate hooks. (See Figure 11)

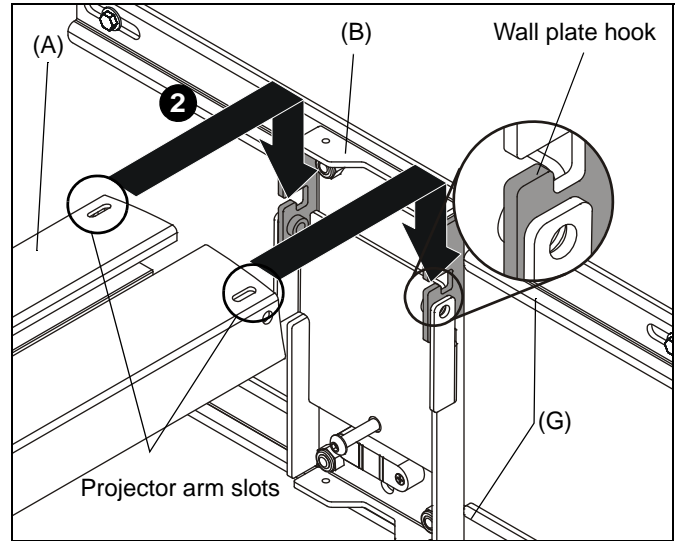


Figure 11

3. Fasten short throw arm (A) to wall plate (B) using two 1/4-20 x 3/4" button head cap screws (HD). (See Figure 12)

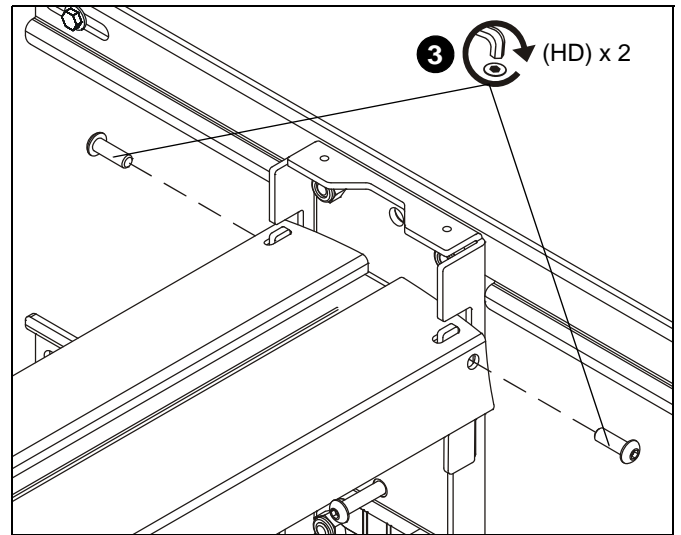


Figure 12

## Projector Installation



**WARNING:** Exceeding the weight capacity can result in serious personal injury or damage to equipment! It is the installer's responsibility to make sure the weight of the projector does not exceed 25 lbs (11.3 kg).

1. Insert and slightly tighten two M4 x 8mm Phillips pan head screws (HA) into the projector threaded inserts. (See Figure 13)

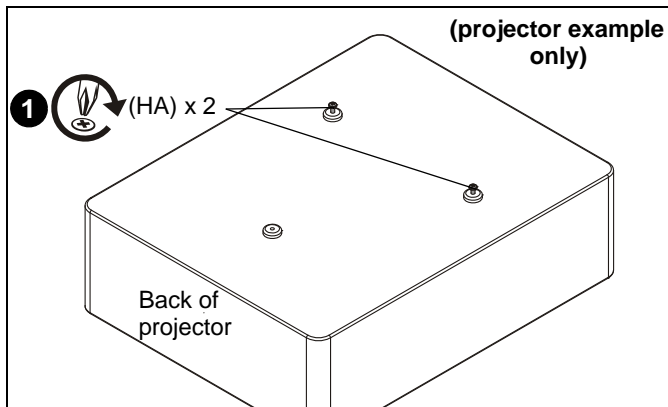


Figure 13

2. Raise the projector up to the projector arm and slide two screws into slots on the projector arm. (See Figure 14)
3. Add one remaining M4 x 8mm Phillips pan head screw (HA) through the projector arm and into the projector. (See Figure 14)
4. Tighten all three fasteners.
5. Slide projector along short throw projector arm until image is the correct size on screen.

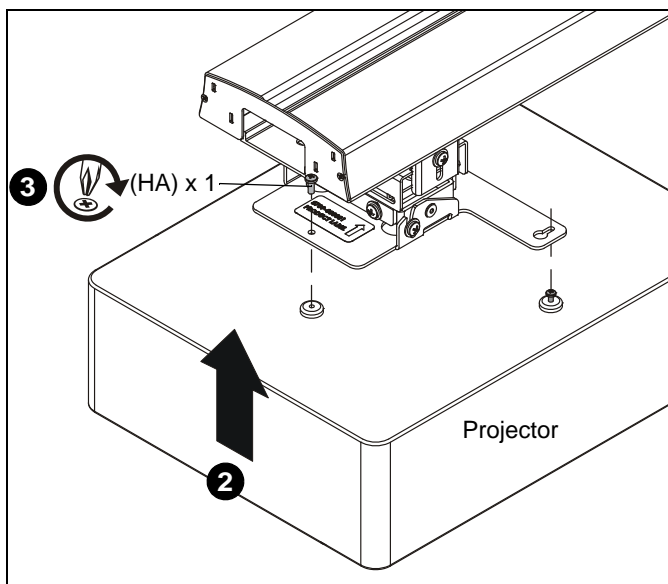


Figure 14

6. Tighten four hex head bolts, making sure image is square with wall. (See Figure 15)

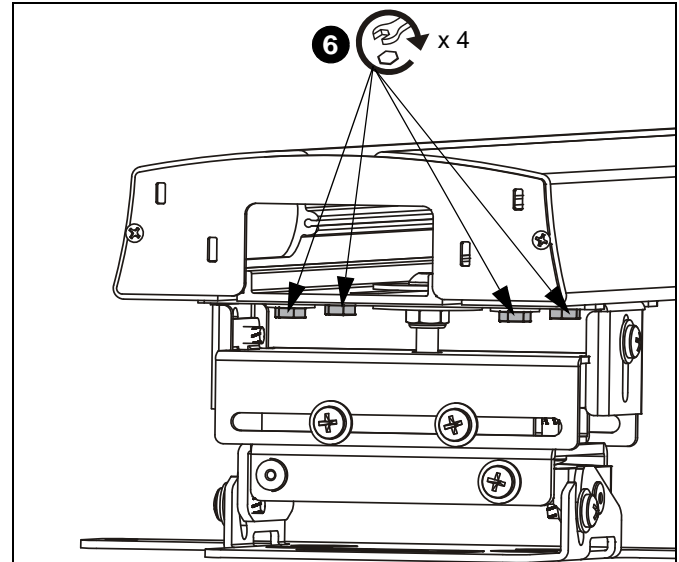


Figure 15

### Leveling the Projector Arm

Tighten the button head cap screw on the arm adjustment plate (C) to level the projector arm. (See Figure 16)

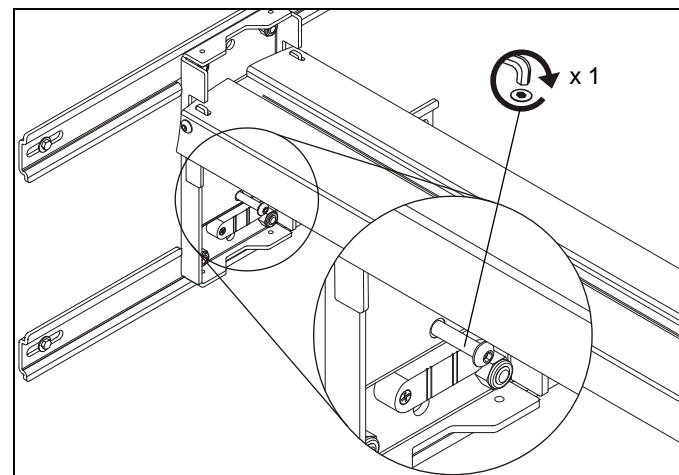


Figure 16

## Adjustments

### Height Adjustment

1. Loosen two Phillips screws (one on left, one on right). (See Figure 17)
2. Turn the button head cap screw on top of mount clockwise to raise the mount (counterclockwise to lower the mount). (See Figure 17)
3. Tighten two Phillips screws. (See Figure 17)

### Pitch Adjustment

**NOTE:** Use a level to make this process easier.

4. Loosen two Phillips screws (one on right, one on left). (See Figure 17)
5. Tip up or down, as required.
6. Tighten two Phillips screws. (See Figure 17)

### Roll Adjustment

**NOTE:** Use a level to make this process easier.

7. Loosen one Phillips screw. (See Figure 17)
8. Adjust horizontal tilt, as required.
9. Tighten one Phillips screw. (See Figure 17)

### Side-to-Side Adjustment

10. Loosen four Phillips screws (two on front, two on back). (See Figure 17)
11. Adjust side-to-side, as required.
12. Tighten four Phillips screws. (See Figure 17)

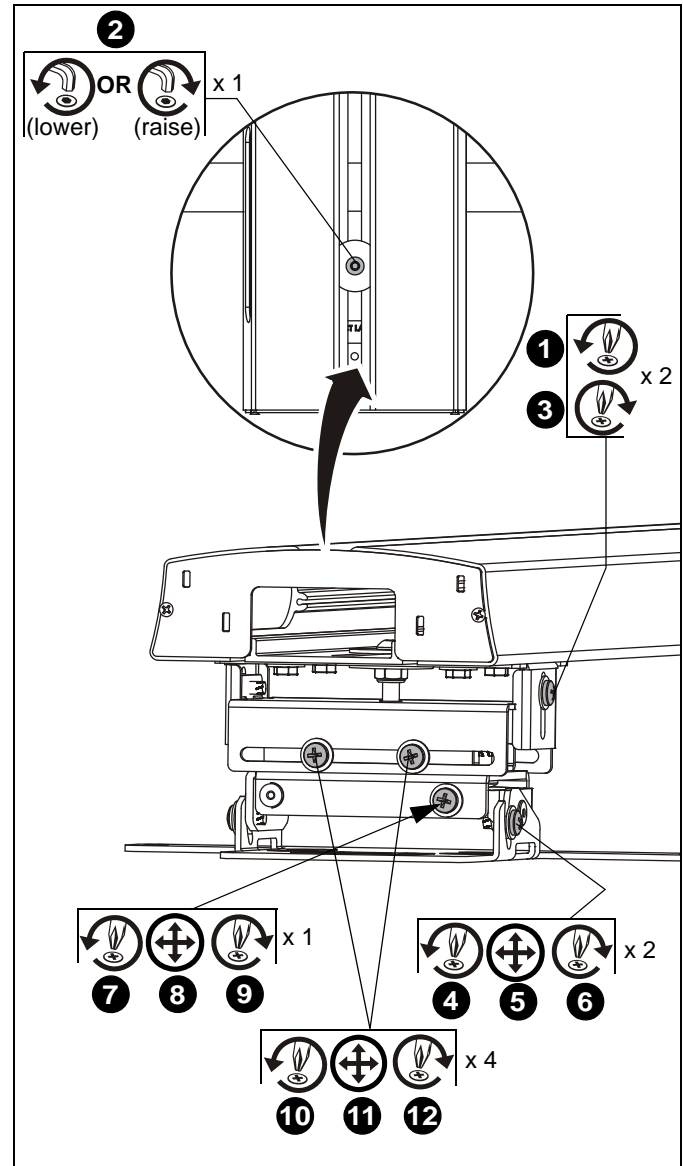
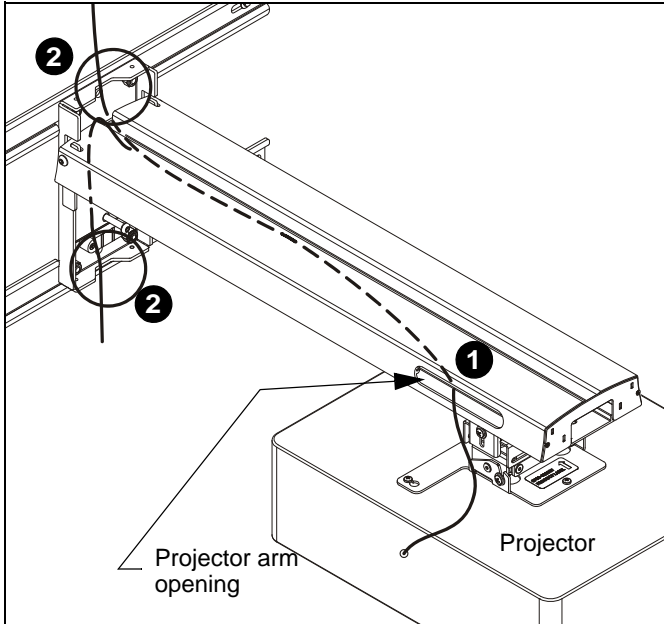


Figure 17

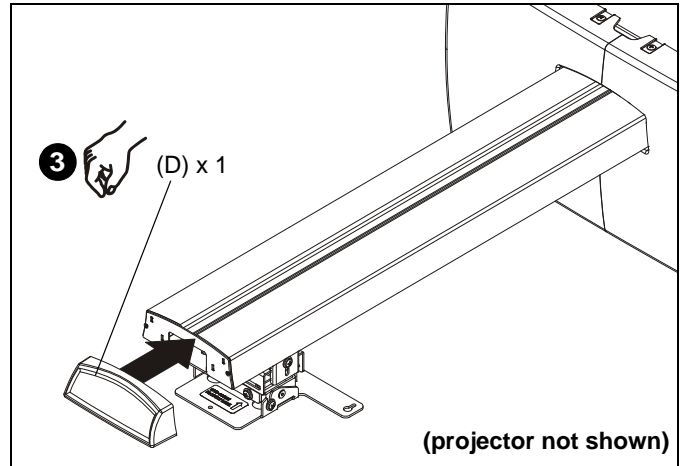
**Cable Management (Optional)**

1. Route cables/cords from projector through opening on projector arm and route to wall. (See Figure 18)
2. Guide cables/cords from wall end of projector arm upward or downward through slots in wall plate. (See Figure 18)



**Figure 18**

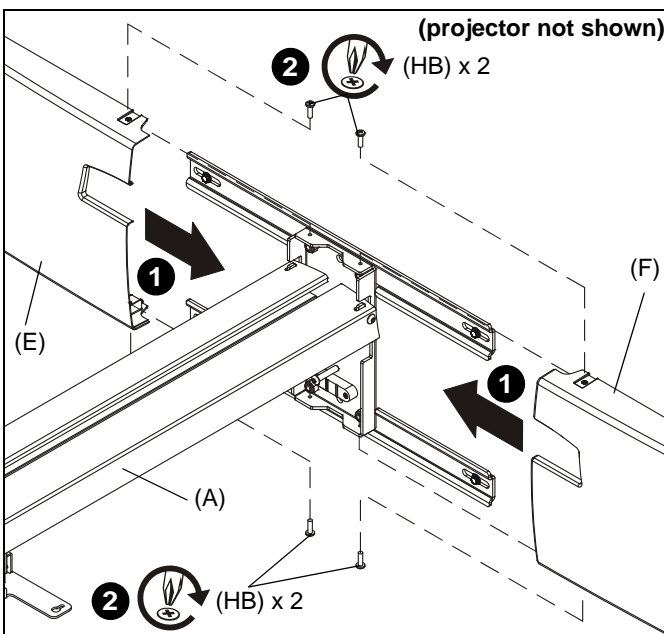
3. Add end cap (D) to end of short throw projector arm. (See Figure 20)



**Figure 20**

**Add Plastic Covers**

1. Add right and left plastic covers (E and F) over brackets. (See Figure 19)
2. Fasten covers using four 10-24 x 5/8" Phillips cap head screws (HB). (See Figure 19)



**Figure 19**







**InFocus**

8800-002462 Rev00  
©2013 InFocus Corporation  
[www.infocus.com](http://www.infocus.com)  
09/13

**InFocus Corporation**

13190 SW 68th Parkway, Ste 200  
Portland, OR 97223

