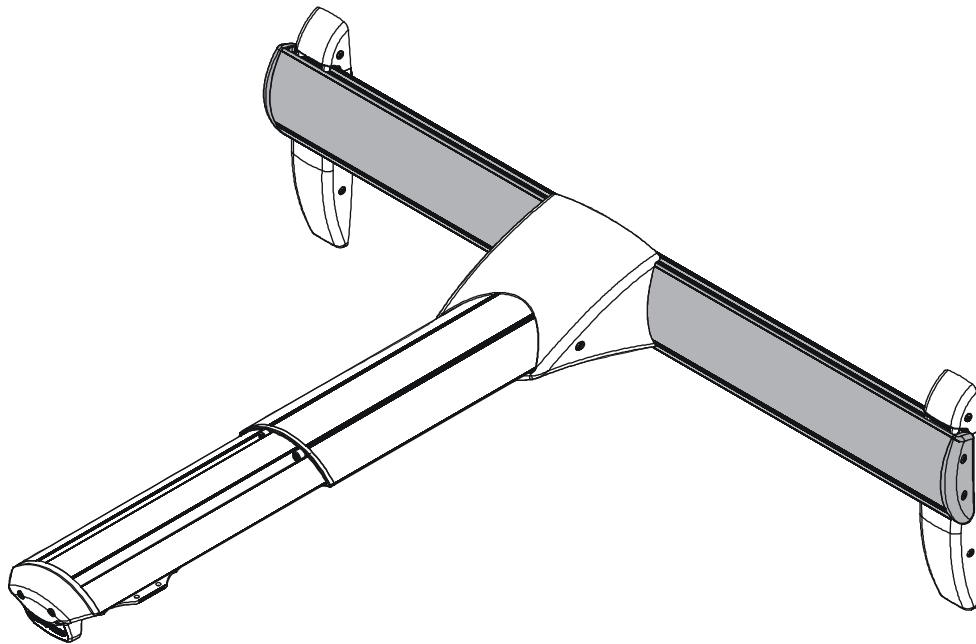

INSTALLATION INSTRUCTIONS



24" Stud Accessory for PRJ-WALLKIT-02

***InFocus* PRJ-WALLADPT-24**

DISCLAIMER

InFocus and its affiliated corporations and subsidiaries (collectively "InFocus"), intend to make this manual accurate and complete. However, InFocus makes no claim that the information contained herein covers all details, conditions or variations, nor does it provide for every possible contingency in connection with the installation or use of this product. The information contained in this document is subject to change without notice or obligation of any kind. InFocus makes no representation of warranty, expressed or implied, regarding the information contained herein. InFocus assumes no responsibility for accuracy, completeness or sufficiency of the information contained in this document.

! IMPORTANT WARNINGS AND CAUTIONS!



WARNING: A WARNING alerts you to the possibility of serious injury or death if you do not follow the instructions.



CAUTION: A CAUTION alerts you to the possibility of damage or destruction of equipment if you do not follow the corresponding instructions.

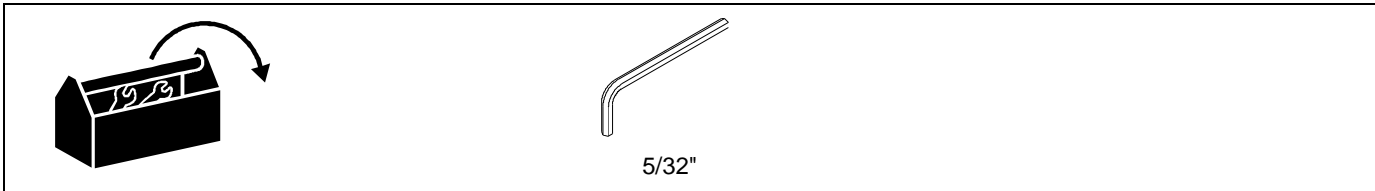


WARNING: Failure to read, thoroughly understand, and follow all instructions can result in serious personal injury, damage to equipment, or voiding of factory warranty! It is the installer's responsibility to make sure all components are properly assembled and installed using the instructions provided.

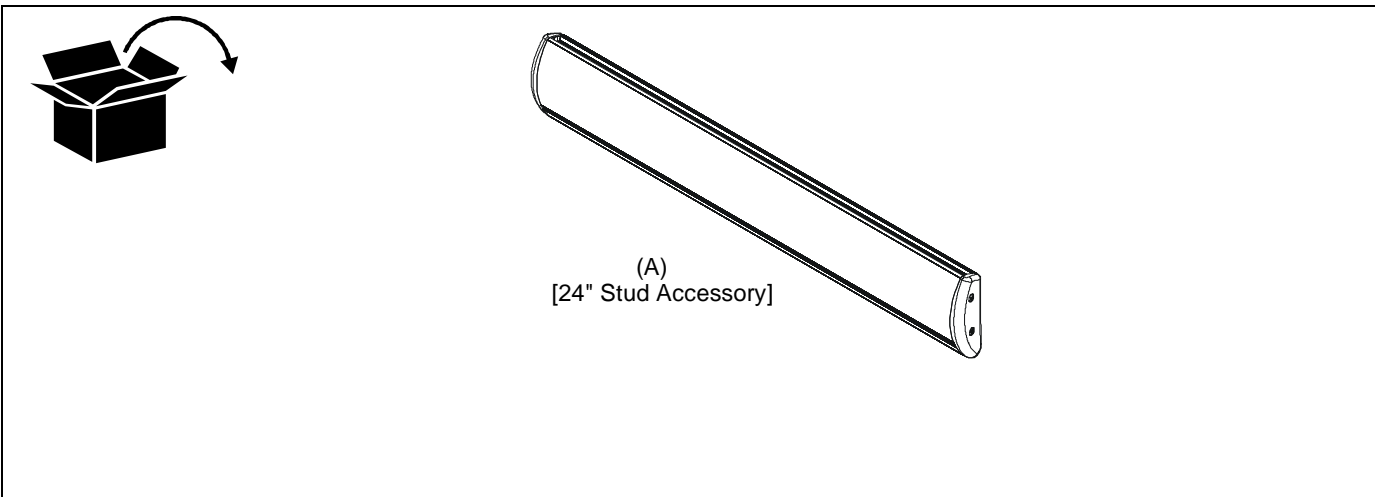


WARNING: Failure to provide adequate structural strength for this component can result in serious personal injury or damage to equipment! It is the installer's responsibility to make sure the structure to which this component is attached can support five times the combined weight of all equipment. Reinforce the structure as required before installing the component. The wall to which the mount is being attached may have a maximum drywall thickness of 5/8" (1.6cm).

TOOLS REQUIRED FOR INSTALLATION



PARTS



Assembly And Installation

1. Remove the two flat head screws from PRJ-WALLKIT-02 mounting assembly. (See Figure 1)

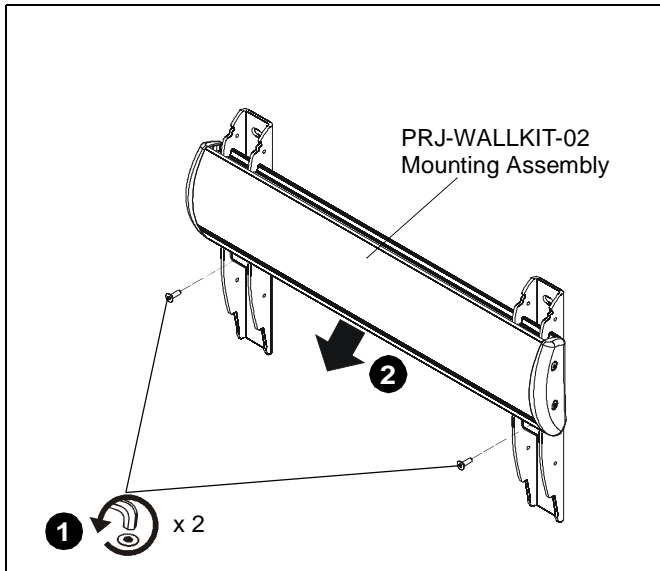


Figure 1

2. Remove the PRJ-WALLKIT-02 cross bar from the vertical mounting brackets. (See Figure 1)
3. Replace the cross bar with the PRJ-WALLADPT-24 cross bar, and adjust the placement of the vertical brackets to match the placement of the wall studs where the mount will ultimately be installed. (See Figure 2)

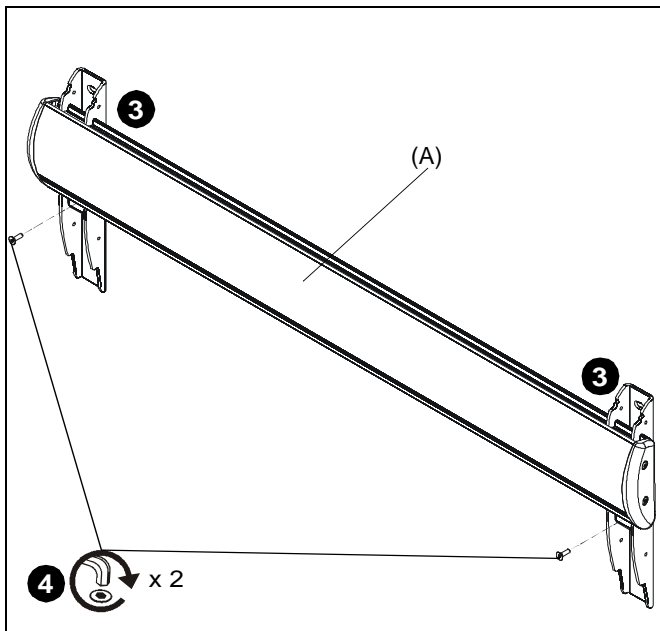


Figure 2

4. Reinstall the two screws removed in Step 2 to secure the vertical brackets to PRJ-WALLADPT-24. (See Figure 2)
5. Complete projector installation according to the PRJ-WALLKIT-02 Installation Instructions.

InFocus

8802-002066 Rev01
©2011 InFocus Corporation
www.infocus.com
08/11

InFocus Corporation

13190 SW 68th Parkway, Ste 200
Portland, OR 97223

