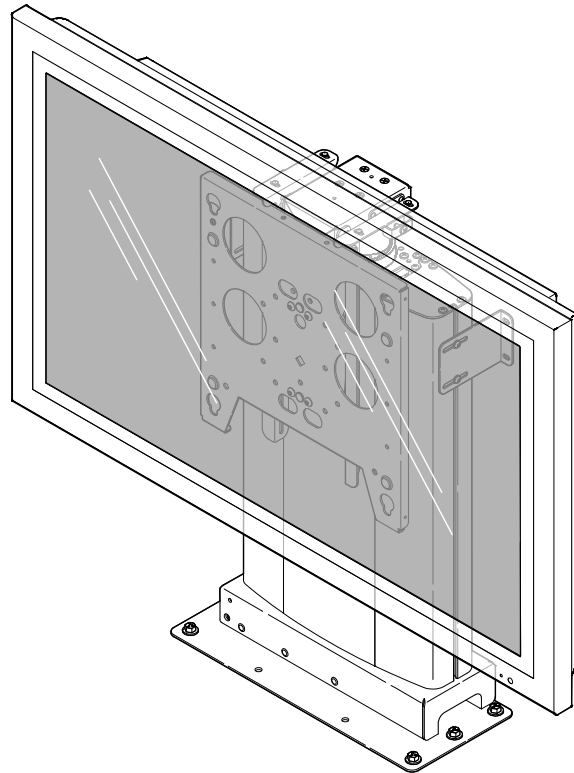


INSTALLATION INSTRUCTIONS



Manual Display Lift

DISCLAIMER

CSAV, Inc., and its affiliated corporations and subsidiaries (collectively, "CSAV"), intend to make this manual accurate and complete. However, CSAV makes no claim that the information contained herein covers all details, conditions or variations, nor does it provide for every possible contingency in connection with the installation or use of this product. The information contained in this document is subject to change without notice or obligation of any kind. CSAV makes no representation of warranty, expressed or implied, regarding the information contained herein. CSAV assumes no responsibility for accuracy, completeness or sufficiency of the information contained in this document.



IMPORTANT WARNINGS AND CAUTIONS!



WARNING: A WARNING alerts you to the possibility of serious injury or death if you do not follow the instructions.



CAUTION: A CAUTION alerts you to the possibility of damage or destruction of equipment if you do not follow the corresponding instructions.



WARNING: Failure to read, thoroughly understand, and follow all instructions can result in serious personal injury, damage to equipment, or voiding of factory warranty! It is the installer's responsibility to make sure all components are properly assembled and installed using the instructions provided.

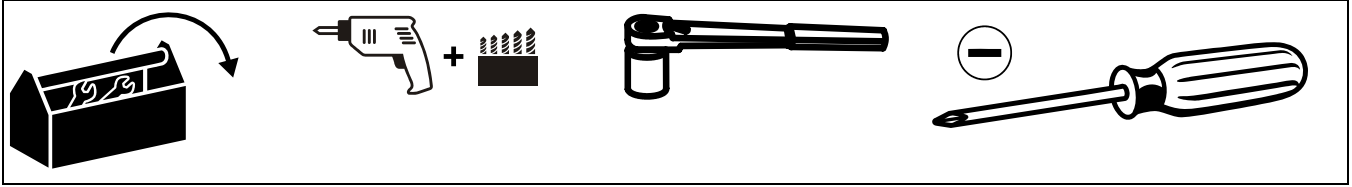


WARNING: Failure to provide adequate structural strength for the installation of this kit can result in serious personal injury or damage to equipment! It is the installer's responsibility to make sure the structure to which this kit is attached can support five times the combined weight of all equipment.

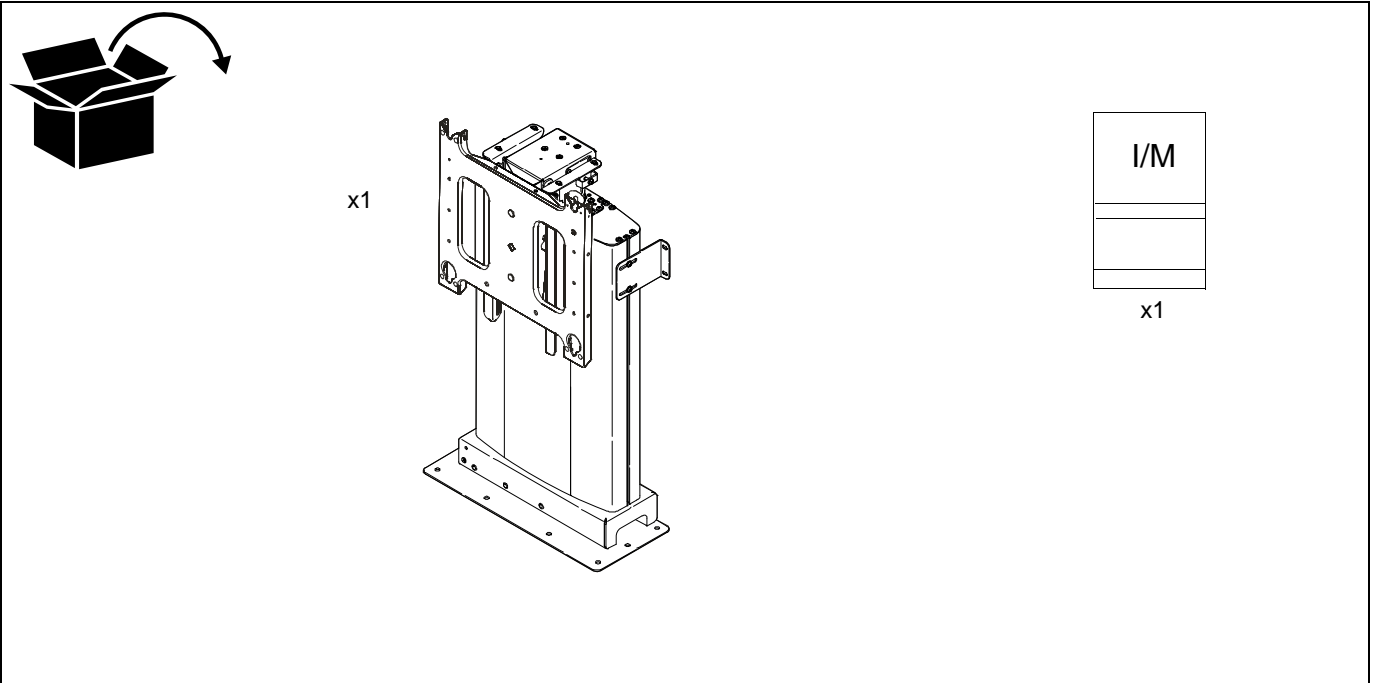


CAUTION: Exceeding the weight capacity can result in serious personal injury or damage to equipment! It is the installer's responsibility to make sure the combined weight of all components attached to this accessory does not exceed 190 lbs (86.18 kg).

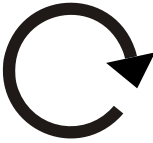
TOOLS REQUIRED FOR INSTALLATION

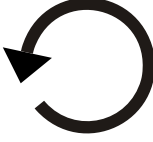



PARTS




LEGEND


	Tighten Fastener
	Apretar elemento de fijación
	Befestigungsteil festziehen
	Apertar fixador
	Serrare il fissaggio
	Bevestiging vastdraaien
Serrez les fixations	


	Loosen Fastener
	Aflojar elemento de fijación
	Befestigungsteil lösen
	Desapertar fixador
	Allentare il fissaggio
	Bevestiging losdraaien
Desserrez les fixations	


	Phillips Screwdriver
	Destornillador Phillips
	Kreuzschlitzschraubendreher
	Chave de fendas Phillips
	Cacciavite a stella
	Kruiskopschroevendraaier
Tournevis à pointe cruciforme	


	Open-Ended Wrench
	Llave de boca
	Gabelschlüssel
	Chave de bocas
	Chiave a punte aperte
	Steeksleutel
Clé à fourche	


	By Hand
	A mano
	Von Hand
	Com a mão
	A mano
	Met de hand
À la main	


	Hex-Head Wrench
	Llave de cabeza hexagonal
	Sechskantschlüssel
	Chave de cabeça sextavada
	Chiave esagonale
	Zeskantsleutel
Clé à tête hexagonale	


	Pencil Mark
	Marcar con lápiz
	Stiftmarkierung
	Marcar com lápis
	Segno a matita
	Potloodmerkteken
Marquage au crayon	

	Drill Hole
	Perforar
	Bohrloch
	Fazer furo
	Praticare un foro
	Gat boren
Percez un trou	

	Adjust
	Ajustar
	Einstellen
	Ajustar
	Regolare
	Afstellen
Ajuster	

	Remove
	Quitar
	Entfernen
	Remover
	Rimuovere
	Verwijderen
Retirez	

	Optional
	Opcional
	Optional
	Opcional
	Opzionale
	Optie
En option	

	Security Wrench
	Llave de seguridad
	Sicherheitsschlüssel
	Chave de segurança
	Chiave di sicurezza
	Veiligheidssleutel
Clé de sécurité	

INSTALLATION REQUIREMENTS

The CM2 has been designed to be mounted into a cabinet or similar type of furnishing.



WARNING: IMPROPER INSTALLATION CAN LEAD TO LIFT TIPPING CAUSING SEVERE PERSONAL INJURY OR DAMAGE TO EQUIPMENT! It is the installers responsibility to make certain the structure to which the lift is being mounted is capable of supporting 4 times the weight of the lift and all attached equipment.

INSTALLATION

Pre-Installation Configuration and Adjustments

Prior to being installed, the mount requires display configuration, cable installation and routing, and the rough adjustment of the top cover mounting bracket.

To prepare the mount for installation:

1. Remove mount from box.
2. Remove two wooden supports from under box.
3. Lay two wooden supports on floor and mount to supports using six 5/16 flat washers and six 5/16 x 1 1/2" lag bolts (hardware not provided). (See figure 1)

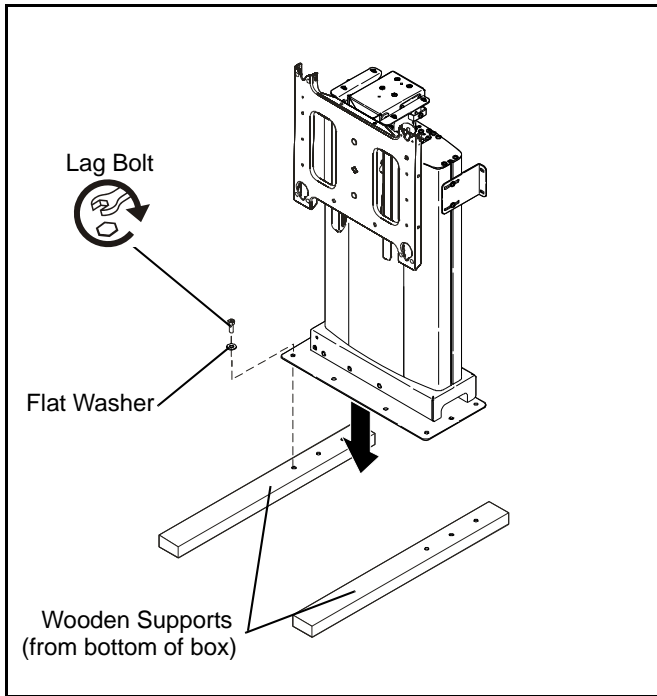


Figure 1

Configuring the Mount for the Display

Prior to installation, the mount needs to be configured for the size of the display being used.

To prepare the mount for the display being installed:

1. Install interface bracket or mounting buttons to display following the instructions provided with bracket.
2. Measure the distance from the center of a bottom mounting button to the lowest point of the display.
3. Record measurement.

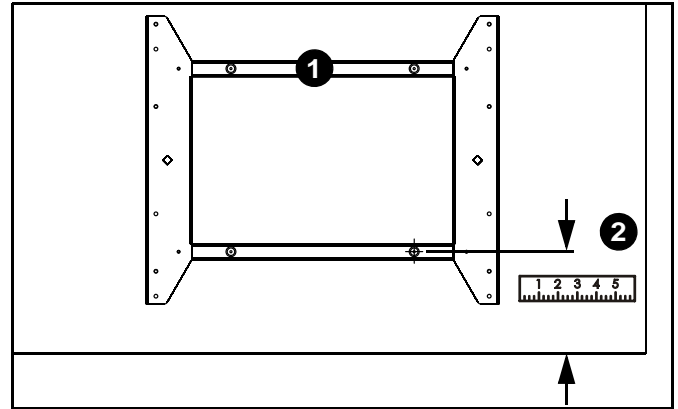


Figure 2

Adjusting Faceplate Location

The lift is designed for the display to lower into a cabinet and allow for 1" or mount overtravel after the bottom of the screen makes contact with the cabinet. This allows the faceplate to float in the middle of the slots preventing shock damage during transit. A 1" high rest should be in place to allow the bottom of the display bottom out. (See figure 3)

The mount is designed to allow up to 2" of faceplate vertical location adjustment by positioning the faceplate on the faceplate mounting bracket, and up to an additional 2.5" by adjusting the position of the faceplate mounting bracket itself.

NOTE: If 2" or less faceplate adjustment is required proceed to step 5. If more than 2" of faceplate adjustment is required proceed to step 6.

If 2" or less faceplate adjustment is required:

1. Raise the mount using a drill and 7/16" socket until locknuts on back side of faceplate can be accessed. (See figure 3)



WARNING: OVERTENSIONING CAN LEAD TO DAMAGE TO EQUIPMENT! Make sure the clutch on drill is set to release tension as soon as lift stops upward or downward travel.

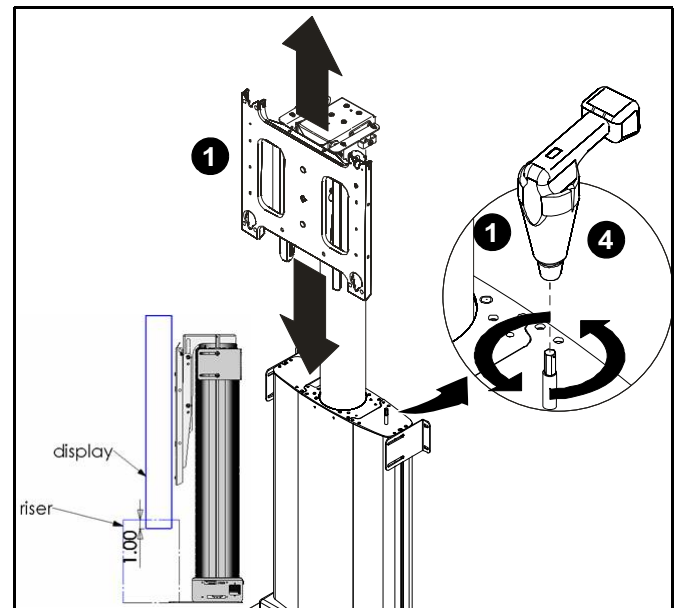


Figure 3

2. Remove two locknuts securing faceplate to faceplate mounting bracket. (See figure 4)
3. Move faceplate up one set of holes to adjust location 1" or two sets of holes to adjust 2". (See figure 4)

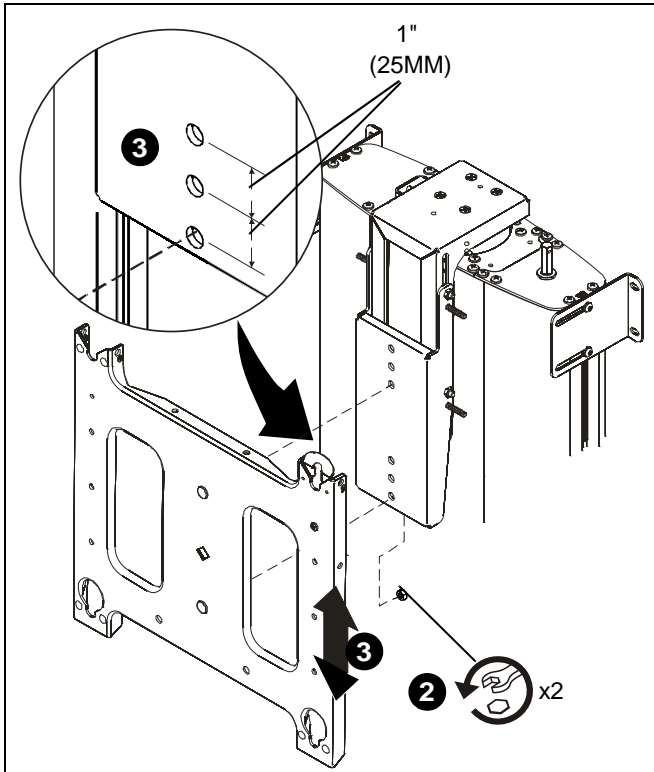


Figure 4

4. Secure faceplate to faceplate mounting bracket using two locknuts. (See figure 6)

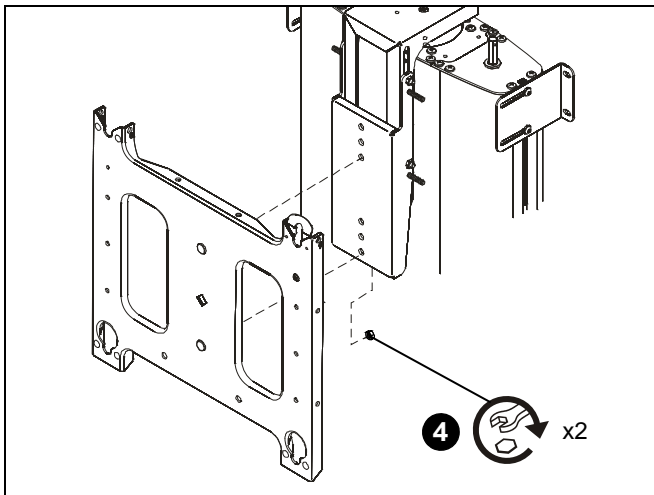


Figure 5

5. Using a drill with a 7/16" socket, lower the mount until it stops. (See figure 3)

WARNING: OVERTENSIONING CAN LEAD TO DAMAGE TO EQUIPMENT! Make sure the clutch on drill is set to release tension as soon as lift stops upward or downward travel.

If more than 2" of faceplate adjustment is required:

6. Raise lift following instructions in step 1. (See figure 3)
7. Loosen four nuts securing faceplate mounting bracket to frame. (See figure 6)
8. Position faceplate mounting bracket in desired location in upper or lower slots. The display can be lowered an additional 2" by moving the faceplate to the lower slots. (See figure 6)
9. Tighten hardware to secure faceplate mounting bracket to frame.

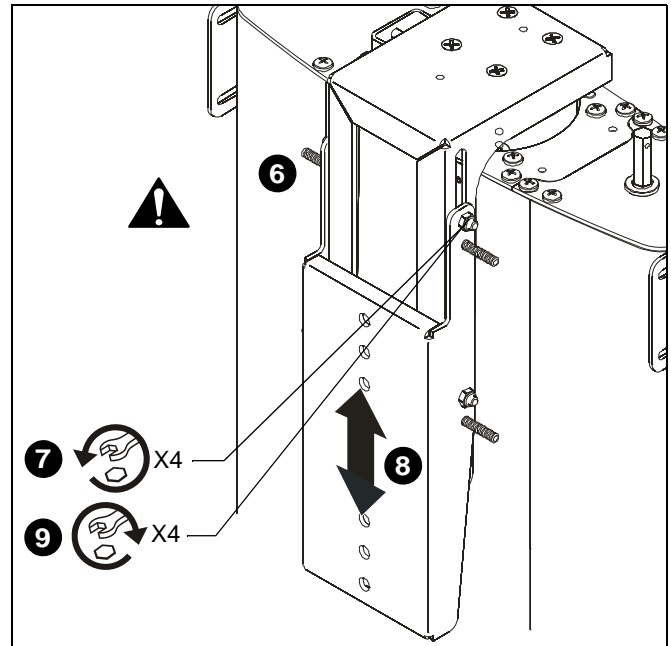


Figure 6

WARNING: IMPROPER INSTALLATION CAN LEAD TO SEVERE PERSONAL INJURY OR DAMAGE TO EQUIPMENT! Make sure all four nuts are tight before continuing installation!

10. Align studs in faceplate with appropriate holes in faceplate mounting bracket and hang faceplate on bracket with studs.
11. Secure faceplate to faceplate mounting bracket using two locknuts. (See figure 7)

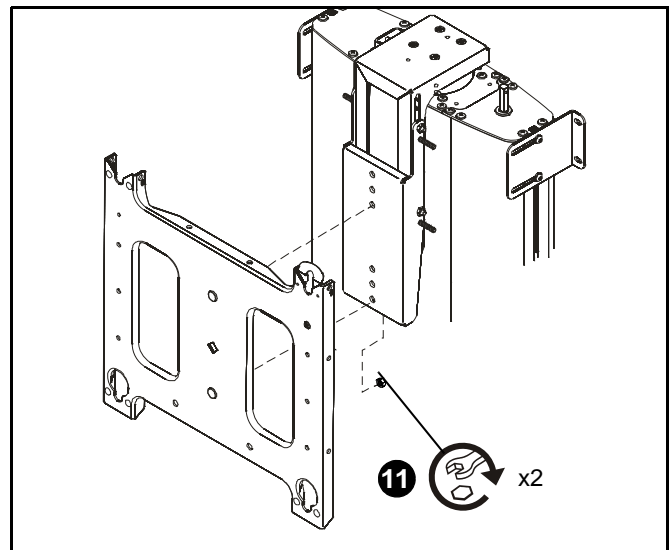


Figure 7

Display Installation



WARNING: EXCEEDING MAXIMUM WEIGHT CAPACITY CAN LEAD TO SERIOUS PERSONAL INJURY OR AMAGE TO EQUIPMENT! It is the installers responsibility to ensure the total amount of weight placed on the mount does not exceed 190lbs (86.18 kg) the maximum capacity of the mount.

1. If lift was raised during faceplate configuration, lower the lift until it stops using a drill and 7/16" socket.

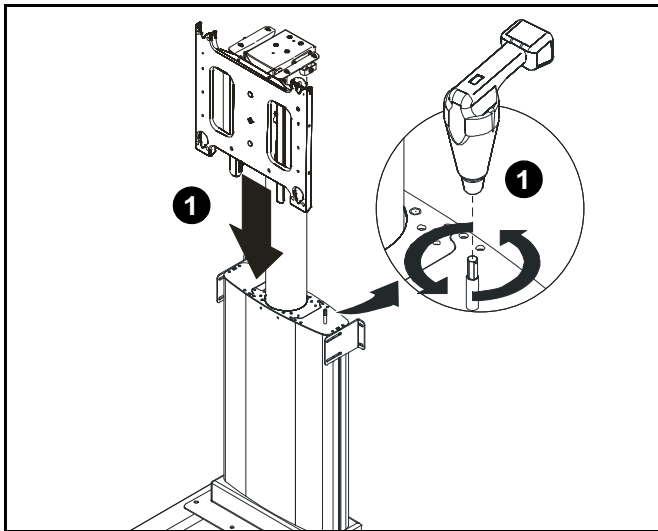


Figure 8



WARNING: IMPROPER INSTALLATION CAN LEAD TO MOUNT FALLING CAUSING SEVERE PERSONAL INJURY OR DAMAGE TO EQUIPMENT. Displays can weigh in excess of 40 lbs (18.1kg). ALWAYS use two people and proper lifting techniques when installing display.



WARNING: IMPROPER INSTALLATION CAN LEAD TO MOUNT FALLING CAUSING SEVERE PERSONAL INJURY OR DAMAGE TO EQUIPMENT. Make sure mounting buttons on display are properly seated in mounting holes in faceplate.

To install display:

1. While supporting both sides of display, align four mounting buttons on display or interface bracket with four mounting holes in faceplate. (See figure 9) and (See figure 10)
2. Lower display into place listening for audible "click" to ensure recessed area of mounting buttons are properly seated in lower area of mounting holes and "click lock" mechanisms have engaged. (See figure 9) and (See figure 10)
3. Install two quick release pins (included) to secure display after installation. (See figure 10)

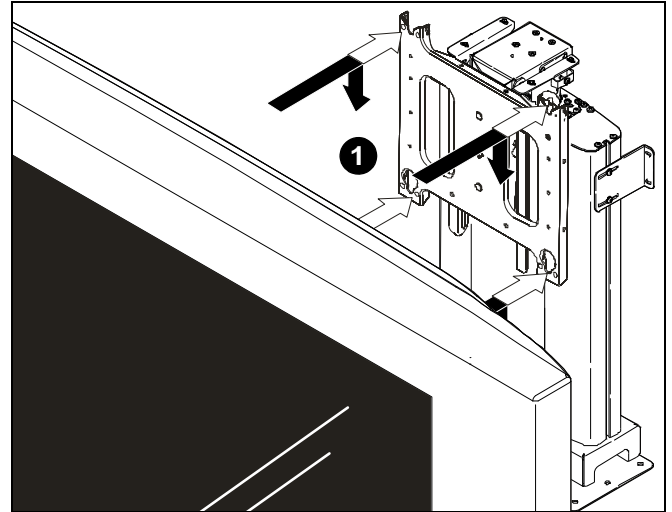


Figure 9:

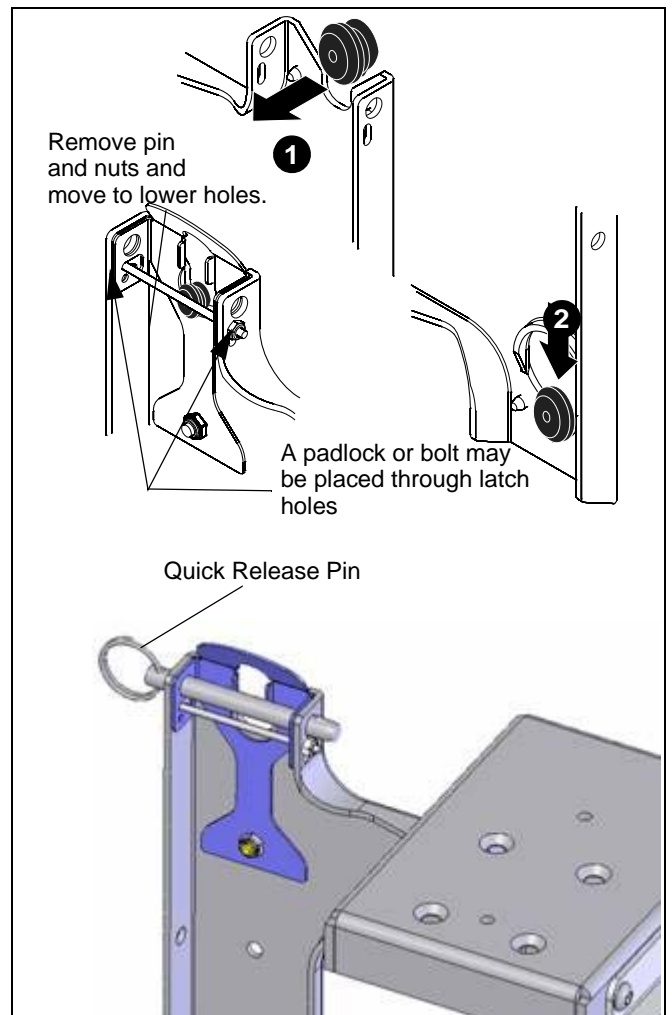


Figure 10

NOTE: Holes are provided in the faceplate for use with a padlock or similar locking device, if desired. In addition, the pin and nut may be removed from the upper holes and moved to the lower holes for use as a more permanent locking device. (See figure 10)

Cable Installation and Routing

The CM2 has an integrated cable management system that allows cables to be automatically "fed out" as the lift raises, and "reeled in" as the lift lowers while maintaining constant cable tension.

IMPORTANT ! : The CM2 requires minimum cable lengths of 8 feet from display through lower mount.

To install cables:

1. Remove five screws securing cable guide top cover to mount and cable guide side cover.
2. Set screws aside for reuse. (See figure 11)

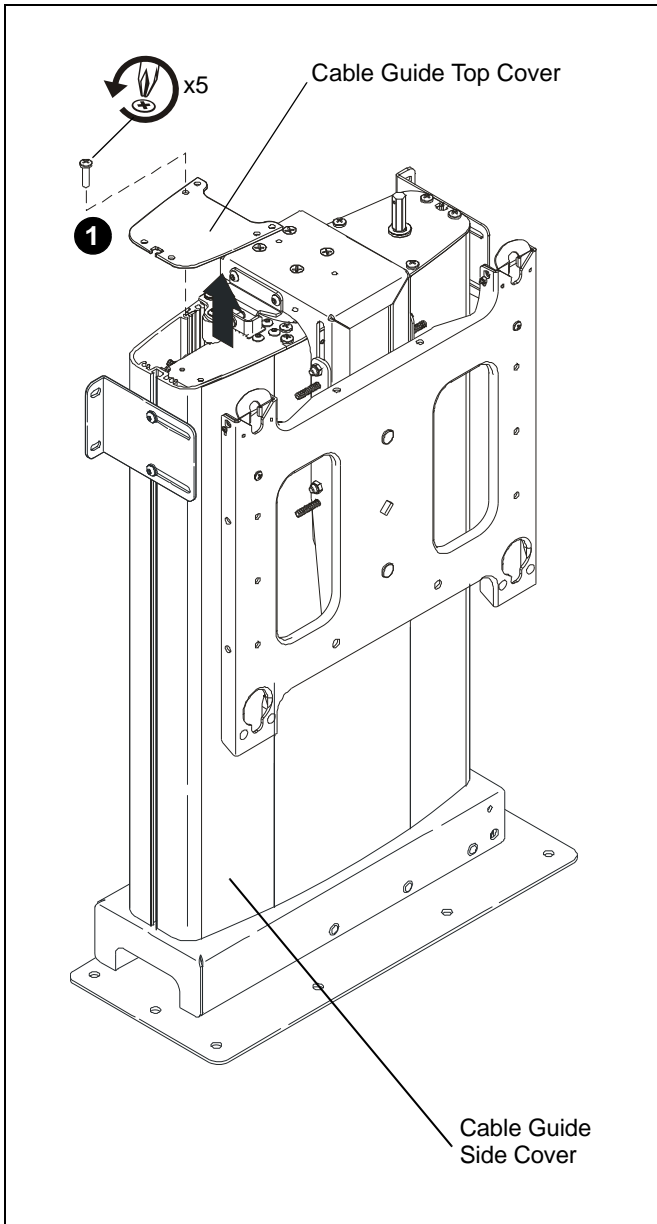


Figure 11

3. Slide cable guide side cover away from mount and carefully set aside.

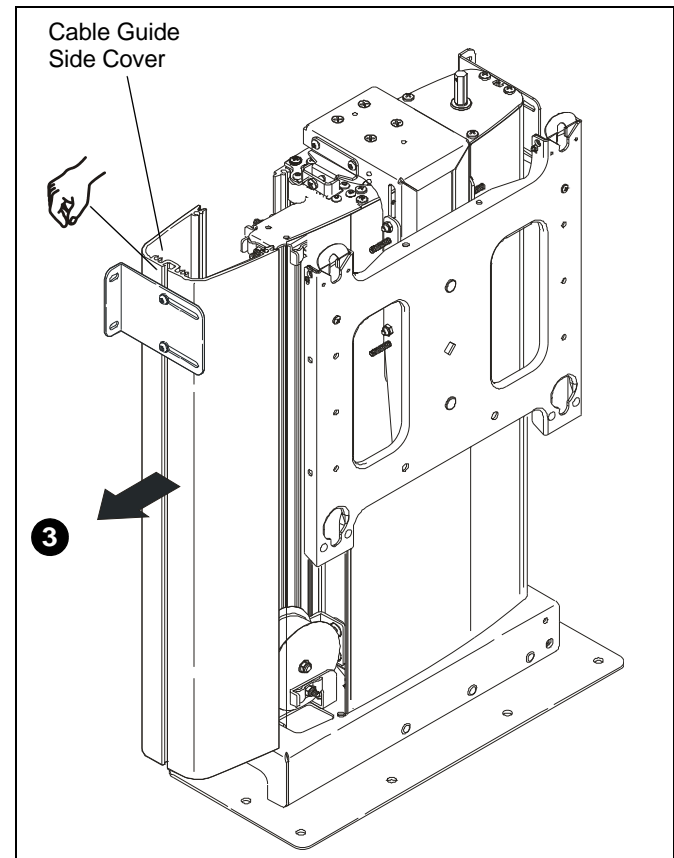


Figure 12

4. Loosen six cable clamps. (See figure 13)
5. Route cable(s) down through upper cable clamp. (See figure 13) and (See figure 14)

IMPORTANT ! : Leave enough cable length available above upper cable clamp to allow the routing and tie-down of cables between upper cable clamp and display.

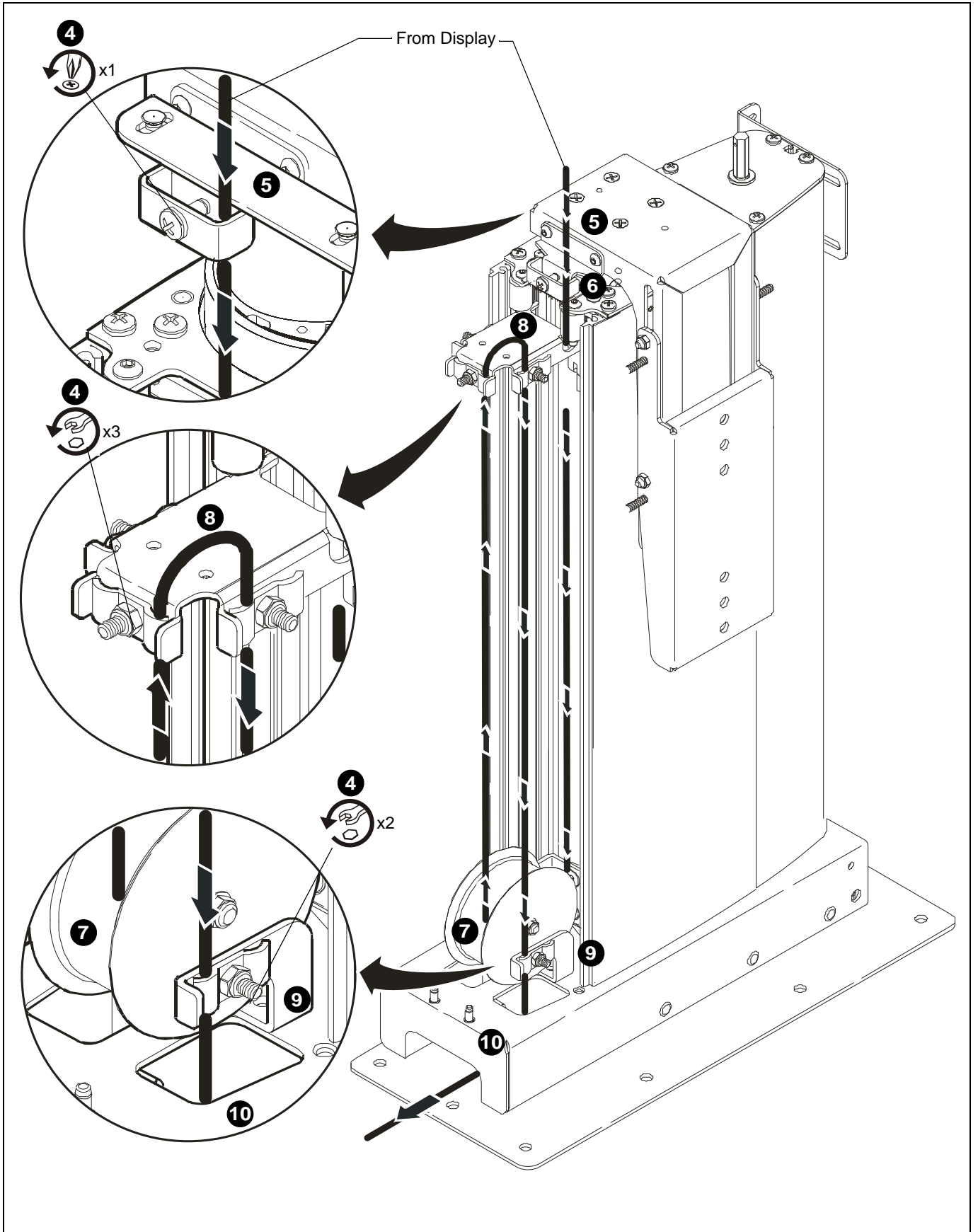


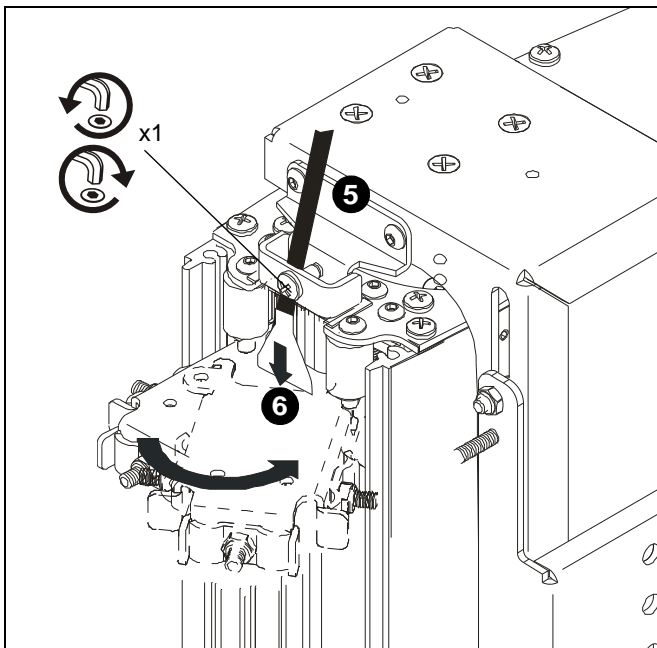
Figure 13

6. Route cable(s) down through opening at rear of middle cable clamp mounting bracket. (See figure 13) and (See figure 14)

NOTE: If plug on cable will not fit through opening loosen or remove one screw securing middle cable clamp mounting bracket to mount frame and pivot middle cable clamp mounting bracket to the side until plug can be routed behind bracket.



CAUTION: Bracket mounting hardware **MUST** be reinstalled and tightened before continuing with cable installation. (See figure 14)

**Figure 14**

7. Route cable under cable pulley and up through front cable clamp on middle cable clamp mounting bracket. (See figure 13)
8. Loop cable and route cable down through side cable clamp(s) on middle cable clamp mounting bracket. (See figure 13)



CAUTION: Cables must not extend higher than 1" (25mm) above cable mounting bracket when looped! (See figure 13)

9. Route cable(s) down through lower cable clamp(s). (See figure 13)
10. Route cable through cable access opening in top of mount base and cable access opening in side of mount base. (See figure 13)
11. Tighten upper cable clamp making certain cables are properly seated in clamp and are not pinched.

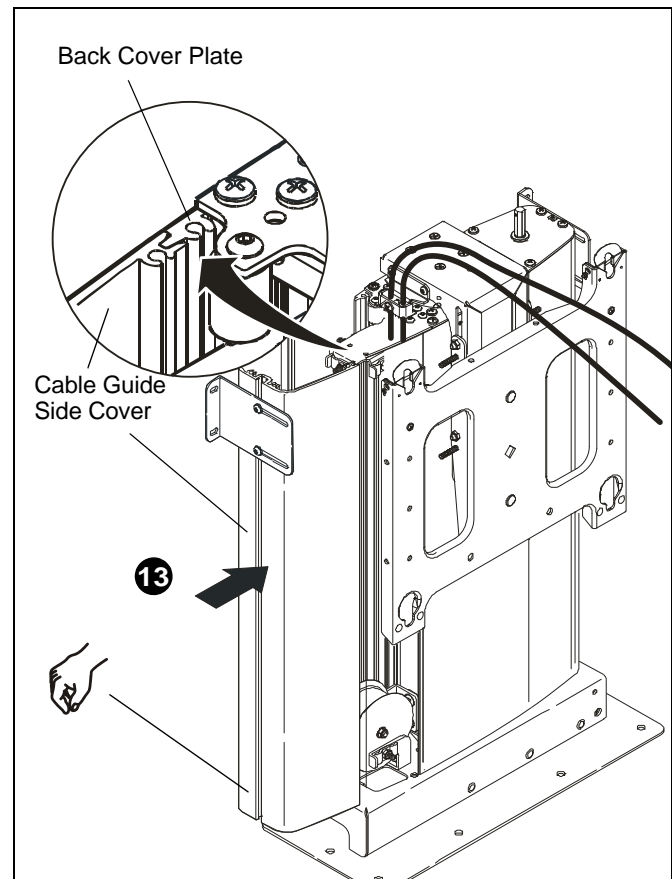


WARNING: OVERTIGHTENING OF CABLE CLAMPS CAN CRUSH CABLES LEADING TO DAMAGE TO EQUIPMENT! DO NOT over tighten cable clamps.

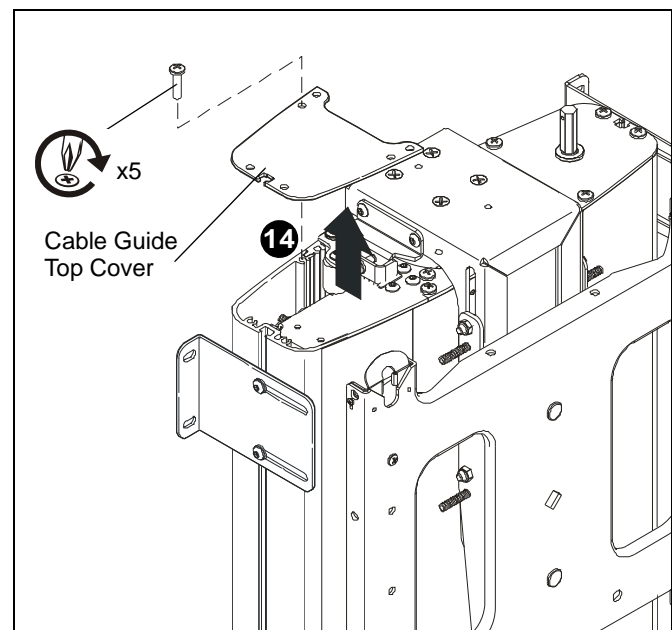
12. Starting at upper cable clamp and working downward, remove slack from all cables and tighten remaining cable

clamps. (See figure 13)

13. Slide cable guide side cover over cable guide making certain lip on back cover plate is fully seated in groove in cable guide side cover. (See figure 15)

**Figure 15**

14. Secure cable guide top cover to mount and cable guide side cover, using five screws.

**Figure 16**

Mount Installation

The CM2 has been designed to be mounted into a cabinet or similar type of furnishing.

The following installation instructions assume a suitable structure and surface exists prior to installation.



WARNING: IMPROPER INSTALLATION CAN LEAD TO LIFT FALLING CAUSING SEVERE PERSONAL INJURY OR DAMAGE TO EQUIPMENT! It is the installers responsibility to make certain the structure to which the lift is being mounted is capable of supporting 4 times the weight of the lift and all attached equipment.

IMPORTANT ! : The finished furniture with display on and mount fully raised must be able to be placed at a 10° angle front and back without tipping.

To install the CM2:

1. If the display is installed and cables routed, disconnect wires and cables from display, uninstall top shelf and display.
2. Remove mount from wooden supports used during mount setup and configuration.



WARNING: MOUNT WEIGHS IN EXCESS OF 40LBS!
Always use two people and proper lifting techniques when installing or positioning mount.

3. Determine base position within furnishing framework.
4. Position mount until base is properly positioned and side mounting brackets are in line with vertical supports. (See figure 17)
5. Loosen four screws securing side mounting brackets to mount and adjust side mounting brackets until properly positioned against vertical mounting surface. (See figure 18)
6. Tighten four screws to hold position of side mounting brackets. (See figure 18)

7. Mark eight base mounting hole locations. (See figure 18)
8. Drill pilot holes at marked locations.
9. Mark four side bracket mounting hole locations. (See figure 29)
10. Drill four pilot holes at marked locations.
11. Secure mount base to mounting surface using eight screws. (See figure 18)
12. Secure mount to vertical mounting surface using four screws. (See figure 18)

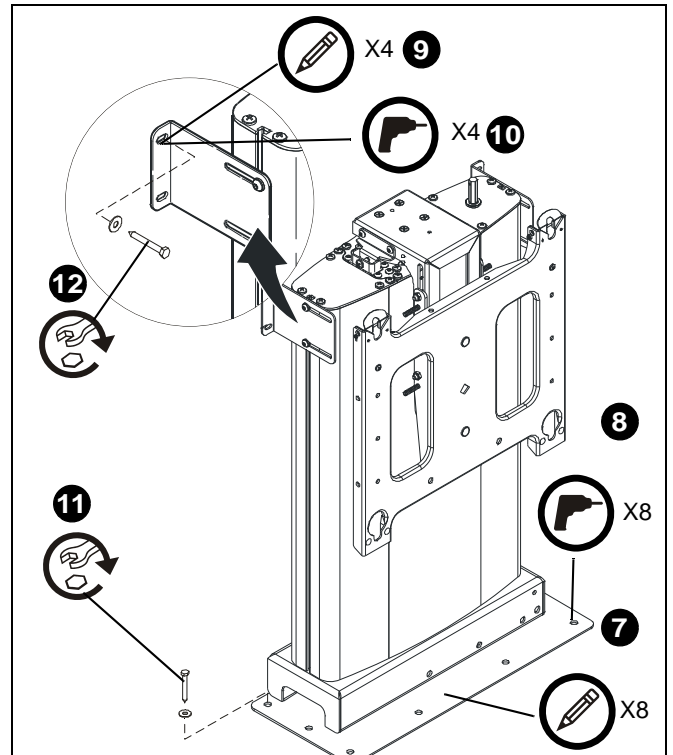


Figure 18

13. Install display following the procedures outlined in *Install Display* section on page 7.

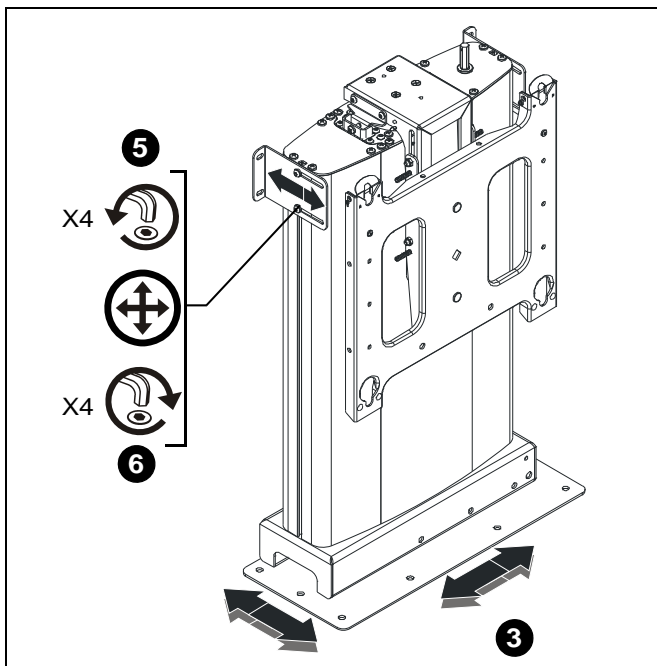


Figure 17

ADJUSTMENTS

Lift Cable Tension Adjustment

Lift cable tension is preset at the factory and should not need adjustment during initial mount installation. However, after extended use it may be necessary to make minor adjustments. If there is visible slack in cables or a rattling sound can be heard in the area of the cable guides, cable tension may need adjustment.

Cable tension is adjusted by turning an adjustment screw located on the top left hand side of the mount using a hex wrench. (See figure 19)

Turning the screw clockwise will increase cable tension and counter-clockwise will decrease cable tension.

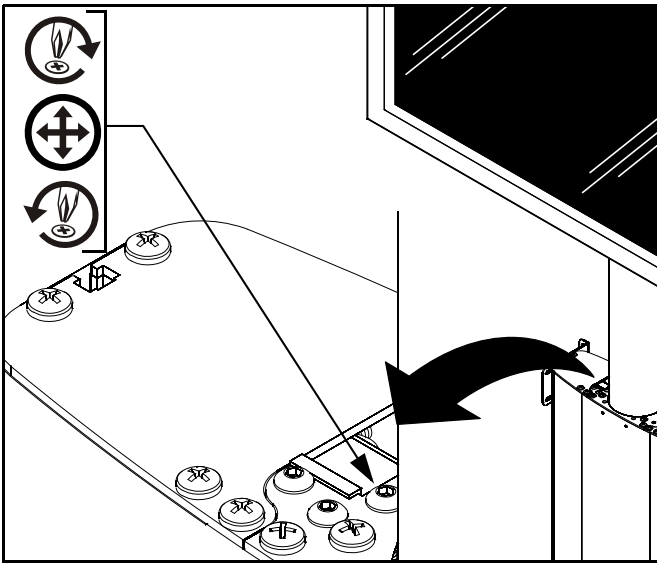


Figure 19

Drive Belt Tension Adjustment

Drive belt tension is preset at the factory and should not need adjustment during initial mount installation or operation. However, after extended use it may be necessary to make minor adjustments to belt tension. (See figure 20)

NOTE: If during operation the lift moves slower than normal or is not raising and lowering smoothly or making unusual noise, belt tension may need to be adjusted.

Drive belt tension is adjusted by turning an adjustment screw located on the lower back side of the mount using a 3/16" hex wrench. (See figure 20)



WARNING: OVERTENSIONING CAN LEAD TO DAMAGE TO EQUIPMENT! DO NOT overtension! Adjust drive belt tension in small increments.

Turning the screw clockwise will increase drive belt tension and counter-clockwise will decrease drive belt tension.

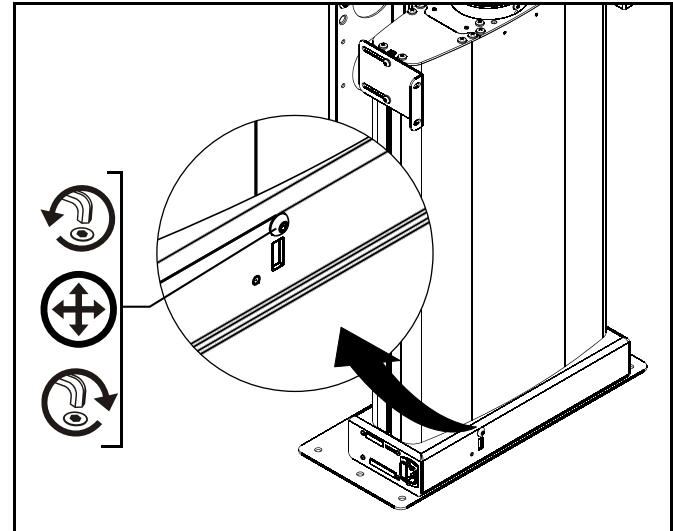


Figure 20

Lift Column Bearing Adjustment

The upper and lower lift columns are aligned using two lift bearings, one upper and one lower.

Bearing adjustment is pre-set at the factory, however, there may be times when it is required to make slight adjustments in bearing tightness to eliminate excess play in lift columns or noise.



WARNING: OVERTENSIONING CAN LEAD TO DAMAGE TO EQUIPMENT! DO NOT overadjust!

IMPORTANT ! : Display should be installed on mount prior to performing lift column bearing adjustment!

To adjust lift column bearings:

1. Determine if it is the upper or lower lift column that requires adjustment.
2. Using a hex wrench, turning in small increments evenly across all adjustment screws, loosen or tighten adjustment screws.
3. Run Display to fully up, and fully down position and verify proper lift column movement.
4. Repeat steps 1 through 3 until desired lift column movement is achieved.

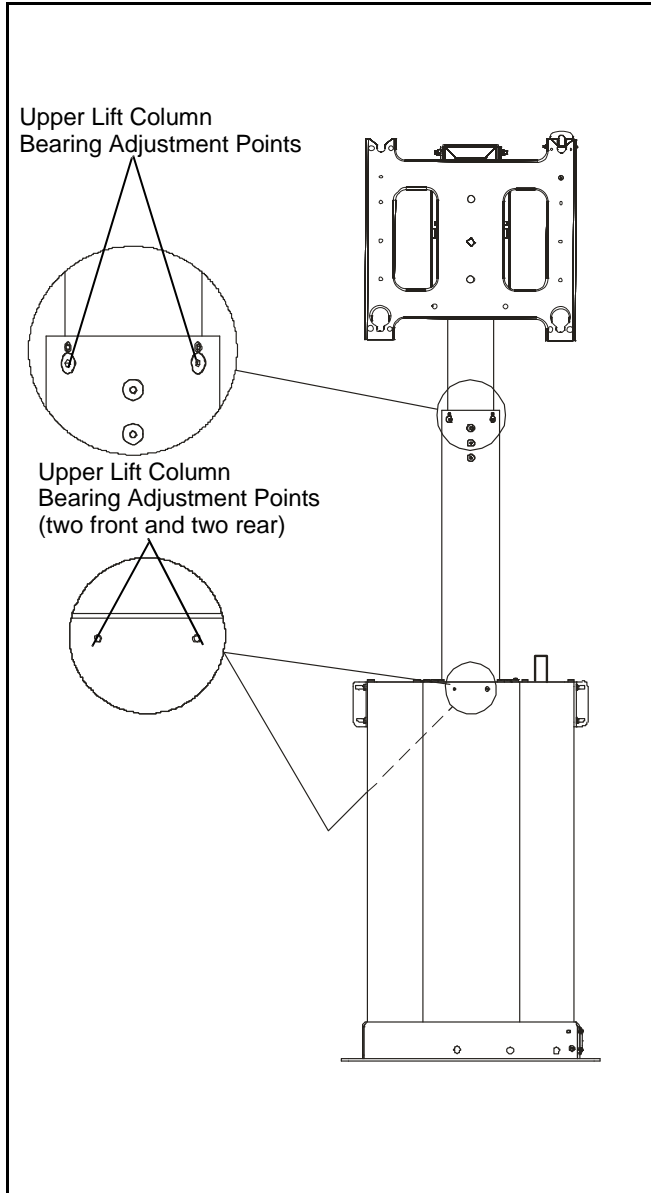


Figure 21



8820-000028
©2007 Chief Manufacturing
www.chiefmfg.com
09/07

USA/International	A 8401 Eagle Creek Parkway, Savage, MN 55378 P 800.582.6480 / 952.894.6280 F 877.894.6918 / 952.894.6918
Europe	A Fellenoord 130 5611 ZB EINDHOVEN, The Netherlands P +31 (0)40 2668620 F +31 (0)40 2668615
Asia Pacific	A Room 30I, Block D, Lily YinDu International Building LuoGang, BuJi Town, Shenzhen, CHINA. Post Code: 518112 深圳市布吉罗岗百合银都国际大厦D栋30I P +86-755-8996 9226 ; 8996 9236 ; 8996 9220 F +86-755-8996 9217