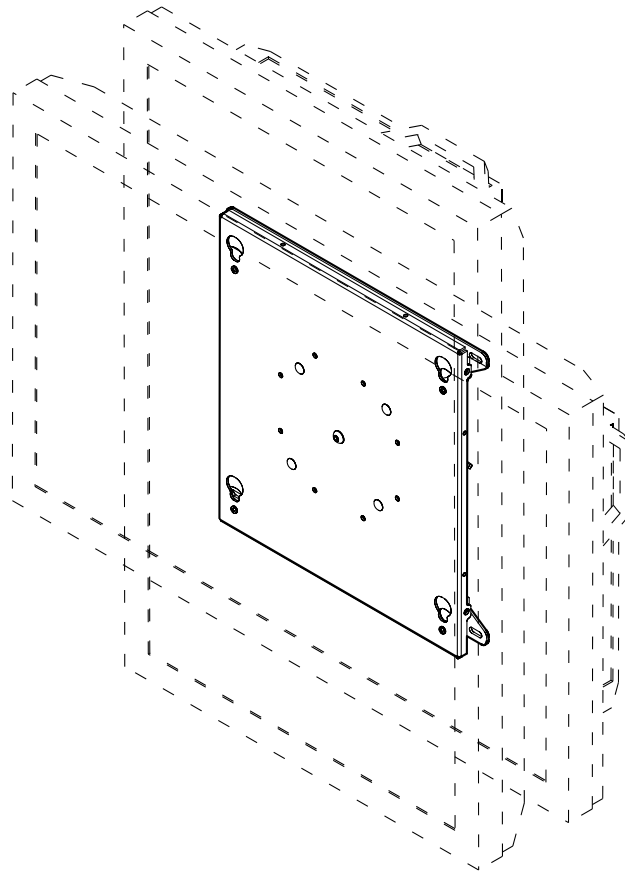

INSTALLATION INSTRUCTIONS

Rotating Wall Mount With Lock

Model: MSP-JELPSW



BEFORE YOU BEGIN

▲ CAUTION!

To prevent damage to the Kit, which could affect or void the Factory warranty, and to the equipment that will be attached to it, thoroughly study all instructions and illustrations before you begin the installation.

▲ WARNING!

Improper installation can result in serious personal injury! Make sure that the mounting surface can support four times the combined weight of the mount, display and all other attached equipment.

- If you have any questions about this installation, contact Chief Manufacturing at 1-800-582-6480.



CHIEF MANUFACTURING INC.
1-800-582-6480 952-894-6280 FAX 952-894-6918
8401 EAGLE CREEK PARKWAY
SAVAGE, MINNESOTA 55378 USA

8832-000145 RevB
©2007 Chief Manufacturing
www.chiefmfg.com
06/07

! IMPORTANT WARNINGS AND CAUTIONS!

WARNING: A WARNING alerts you to the possibility of serious injury or death if you do not follow the instructions.

CAUTION: A CAUTION alerts you to the possibility of damage or destruction of equipment if you do not follow the corresponding instructions.

! WARNING!

IMPROPER INSTALLATION CAN LEAD TO THE MOUNT FALLING. The structure to which the mount is installed must be capable of supporting 4 times the weight of the mount and display. The weight of the display and all attachments must not exceed 200 lbs. (90.71 kg), the maximum load capacity of the mount. If the structural members can not support this weight, reinforce the structural members before installing the mount.

! CAUTION!

Check the unit for shipping damage before you begin the installation.

! CAUTION!

Changes or modifications not approved by Chief Manufacturing could void user's warranty.

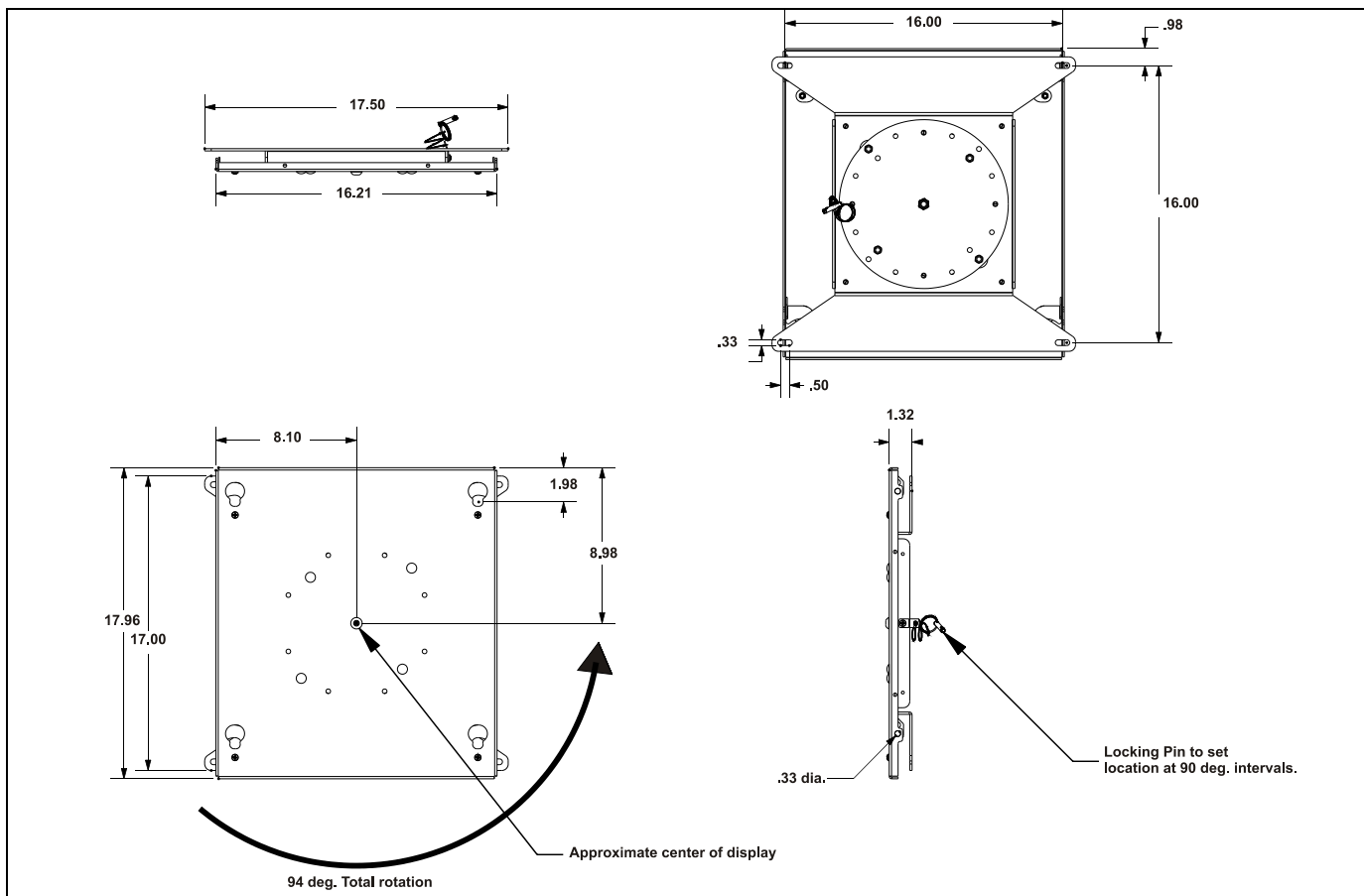


Figure 1: Dimensions

TOOLS REQUIRED FOR INSTALLATION

- Phillips Screw Driver

INSPECT MOUNT BEFORE ASSEMBLY

⚠ CAUTION!

Carefully inspect components for shipping damage. If damage is apparent, call your carrier claims agent and do not continue with installation until the carrier has reviewed the damage.(see Figure 2)

Table 1: Parts

ITEM	DESCRIPTION	QTY*
10	MOUNT, Rotating, Wall	1
20	TIE, Cable (not shown)	1

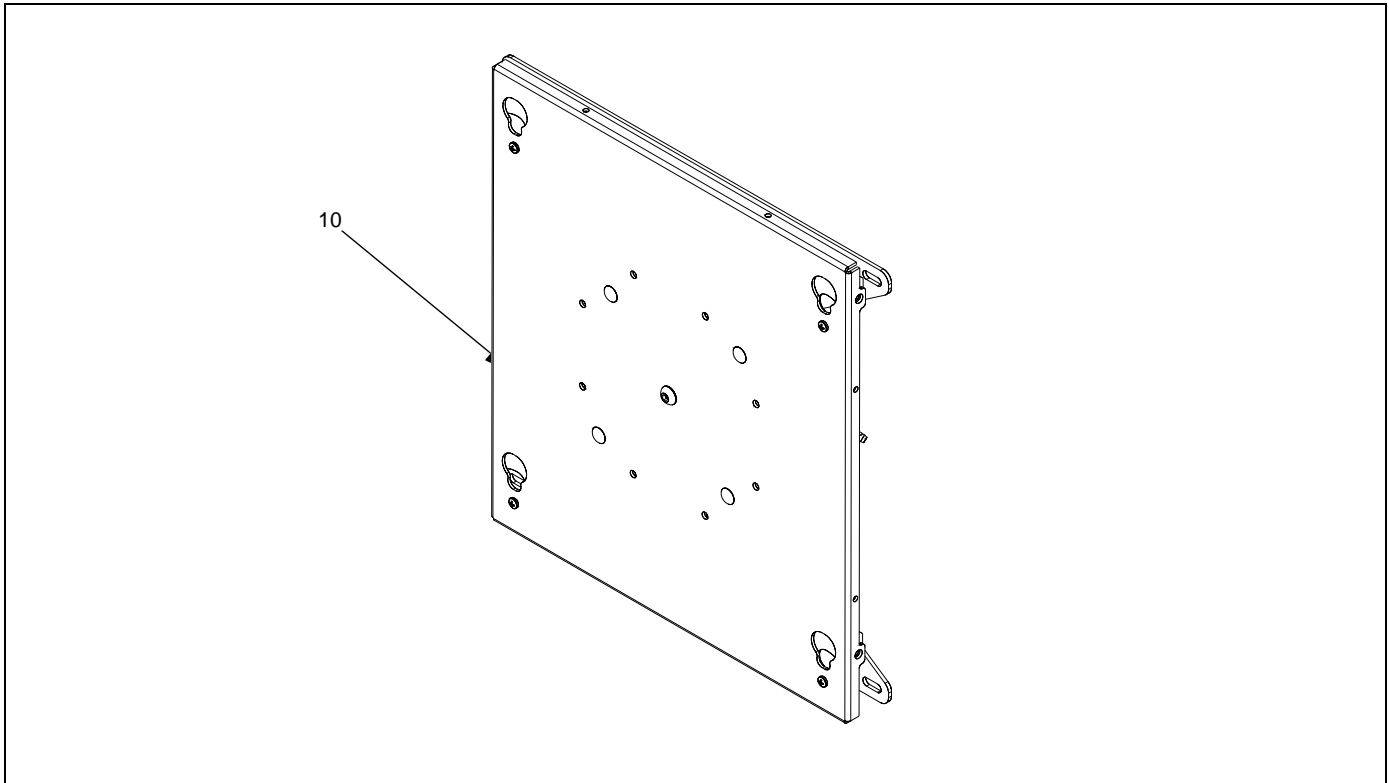


Figure 2: Parts

INSTALLATION

Mount Installation

To install the JELPSW rotating mount:

1. Verify mount is in the proper orientation for mounting. (see Figure 3)

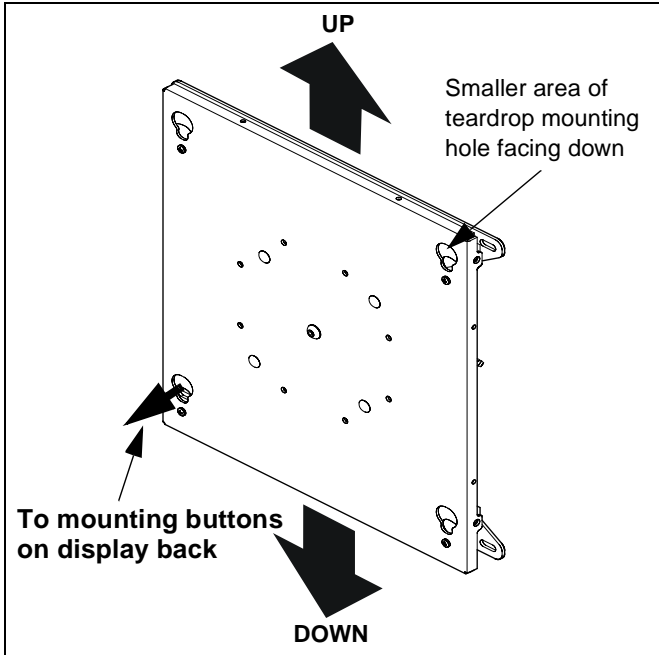


Figure 3: Mount Orientation

2. Install mount to mounting structure using appropriate mounting hardware for Jelco EZ-series mounts.

⚠ WARNING!
 IMPROPER INSTALLATION CAN LEAD TO THE MOUNT FALLING. The structure to which the mount is installed must be capable of supporting 4 times the combined weight of the mount and display.

Display Installation

⚠ CAUTION!
 An interface bracket is required to properly mount a display to the MSP-JELPSW mount. If you did not receive an interface bracket with your mount, or have questions regarding the use of the bracket, immediately contact a Chief Customer Service representative by calling 1-800-582-6480.

⚠ WARNING!
 IMPROPER ENGAGEMENT OF MOUNTING BUTTONS CAN CAUSE DISPLAY TO FALL. DO NOT attempt to modify an interface bracket or install in a manner other than indicated in the directions that are included with the interface bracket.

1. Install interface bracket to display following the instructions provided with interface bracket.
2. Place 4 latching flags in the "OPEN" position. (see Figure 4)

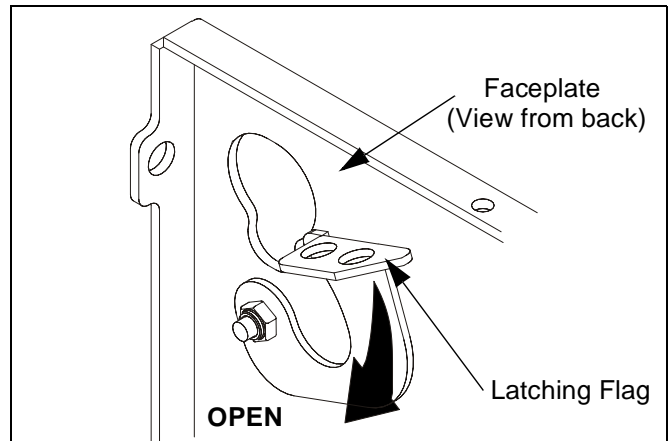


Figure 4: Open Latching Flag

3. Align mounting buttons on display with teardrop holes in faceplate.
4. Slide mounting buttons through teardrop holes until recessed area of mounting buttons is aligned with lower area of teardrop mounting holes. (see Figure 5)

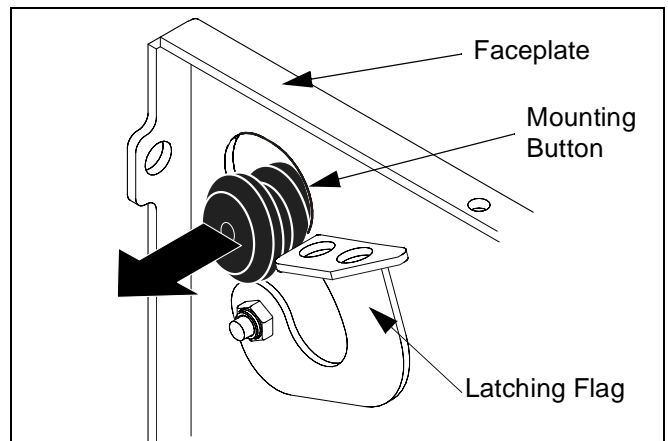


Figure 5: Align Mounting Buttons with Faceplate

5. Lower display until recessed area of mounting buttons seats into lower area of teardrop mounting holes in faceplate. (see Figure 6)

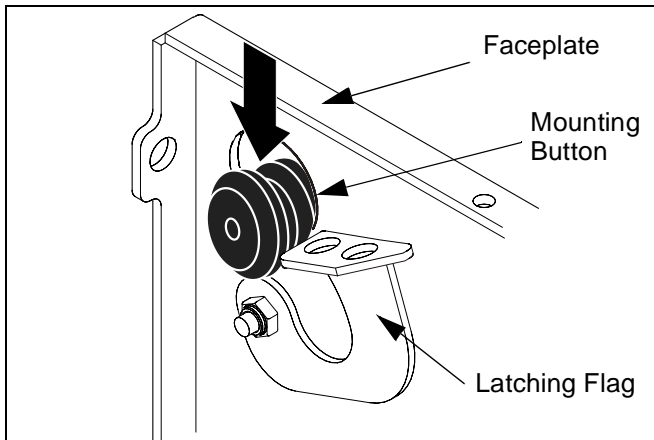


Figure 6: Lower Display onto Faceplate

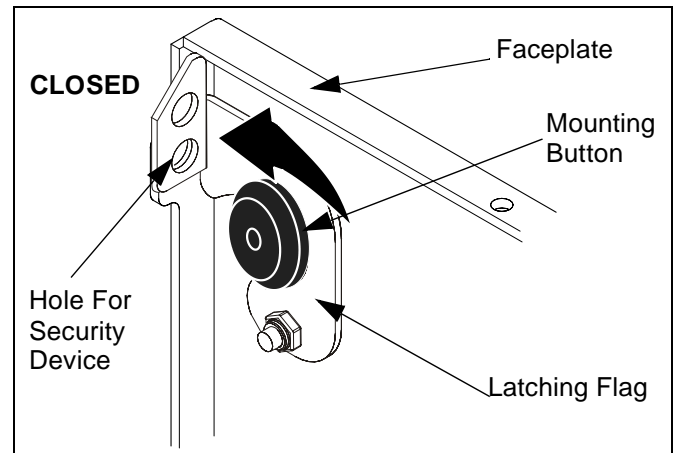


Figure 7: Close Latching Flag

- Place four latching flags in the "Closed" position and properly seated around mounting button. (see Figure 7)

⚠ CAUTION!

IMPROPER ENGAGEMENT OF MOUNTING BUTTONS CAN CAUSE DISPLAY TO FALL. Make certain mounting buttons are properly seated in faceplate mounting holes and ALL latching flags are fully closed.

NOTE: The latching flag and faceplate provide for a Padlock, or similar device, to be used to lock the display to the mount. (see Figure 7)

- If no locking device is use, install zip tie provided through latching flag and security hole to keep flags in CLOSED position. (see Figure 7)

Operation

The JELPSW is designed to easily reposition the display orientation from "Landscape" to "Portrait".

To reposition the display:

- Verify proper clearance is available to allow the display to transition from landscape to portrait.
- Verify existing wires and cables are long enough to make the transition and that there is nothing that will interfere with wires and cables during transition.
- Remove locking pin from mount. (see Figure 8)
- Rotate mount to desired position. (see Figure 8)
- Insert locking pin into mount. (see Figure 8)

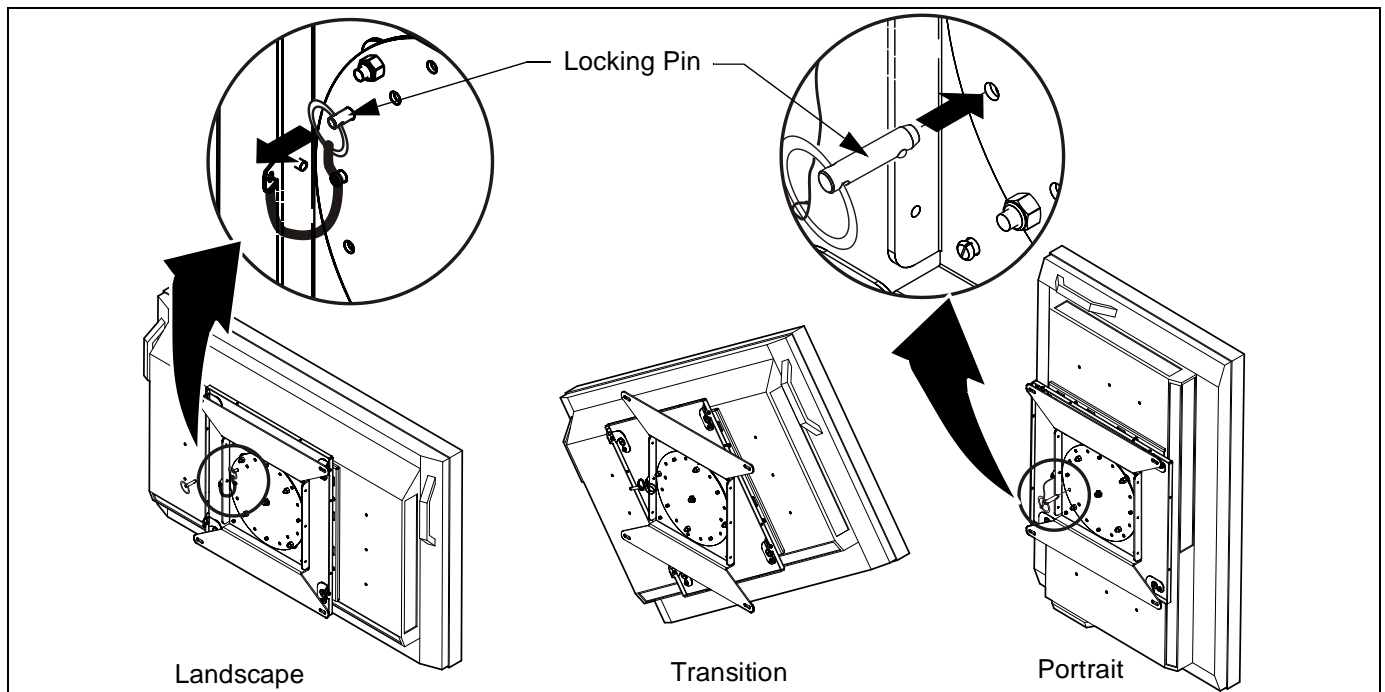


Figure 8: Rotate Display

ADJUSTMENTS

Roll Tension Adjustment

To adjust display roll tension:

1. Locate roll tension adjustment nuts on back of mount.
(see Figure 9)
2. Turn adjustment screw clockwise to increase roll tension, or counter-clockwise to decrease roll tension.

NOTE: When adjusting roll tension, adjust all 5 adjustment nuts evenly.

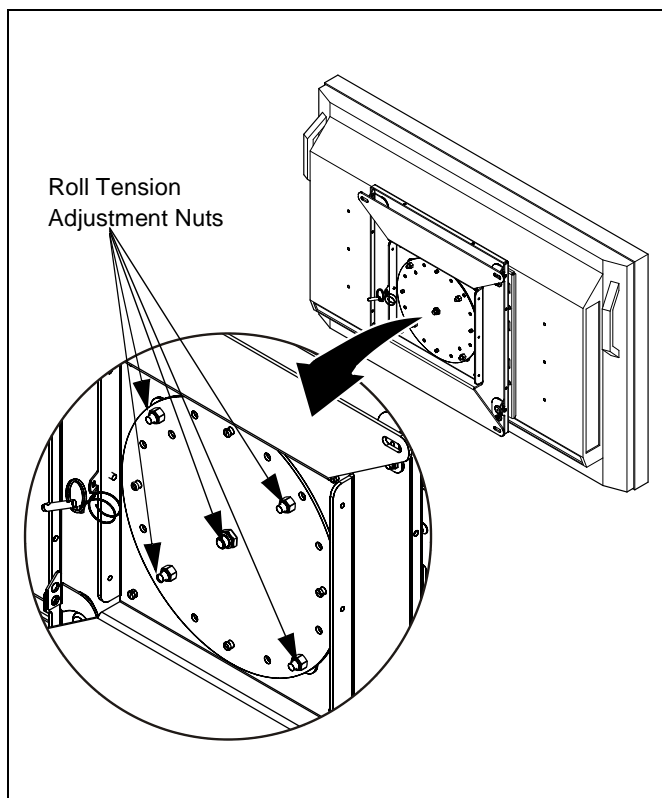


Figure 9: Display Roll Tension Adjustment

