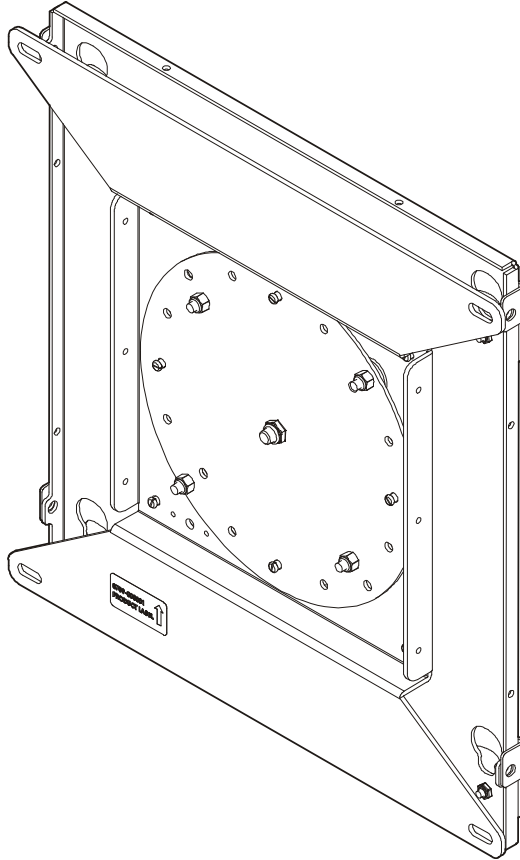


---

# INSTALLATION INSTRUCTIONS

---



---

## Rotating Wall Mount with Lock


---


## DISCLAIMER


Milestone AV Technologies and its affiliated corporations and subsidiaries (collectively "Milestone"), intend to make this manual accurate and complete. However, Milestone makes no claim that the information contained herein covers all details, conditions or variations, nor does it provide for every possible contingency in connection with the installation or use of this product. The information contained in this document is subject to change without notice or obligation of any kind. Milestone makes no representation of warranty, expressed or implied, regarding the information contained herein. Milestone assumes no responsibility for accuracy, completeness or sufficiency of the information contained in this document.


Chief® is a registered trademark of Milestone AV Technologies. All rights reserved.


## IMPORTANT SAFETY INSTRUCTIONS


 **WARNING:** A WARNING alerts you to the possibility of serious injury or death if you do not follow the instructions.


 **CAUTION:** A CAUTION alerts you to the possibility of damage or destruction of equipment if you do not follow the corresponding instructions.


 **WARNING:** Failure to read, thoroughly understand, and follow all instructions can result in serious personal injury, damage to equipment, or voiding of factory warranty! It is the installer's responsibility to make sure all mounting systems/accessories are properly assembled and installed using the instructions provided.

 **WARNING:** Failure to provide adequate structural strength for this mounting system can result in serious personal injury or damage to equipment! It is the installer's responsibility to make sure the structure to which this mounting system is attached can support five times the combined weight of all equipment. Reinforce the structure as required before installing the mounting system.

 **WARNING:** Exceeding the weight capacity can result in serious personal injury or damage to equipment! It is the installer's responsibility to make sure the combined weight of all components attached to the MSP-JELPSW2 does not exceed 150 lbs (68.0 kg).

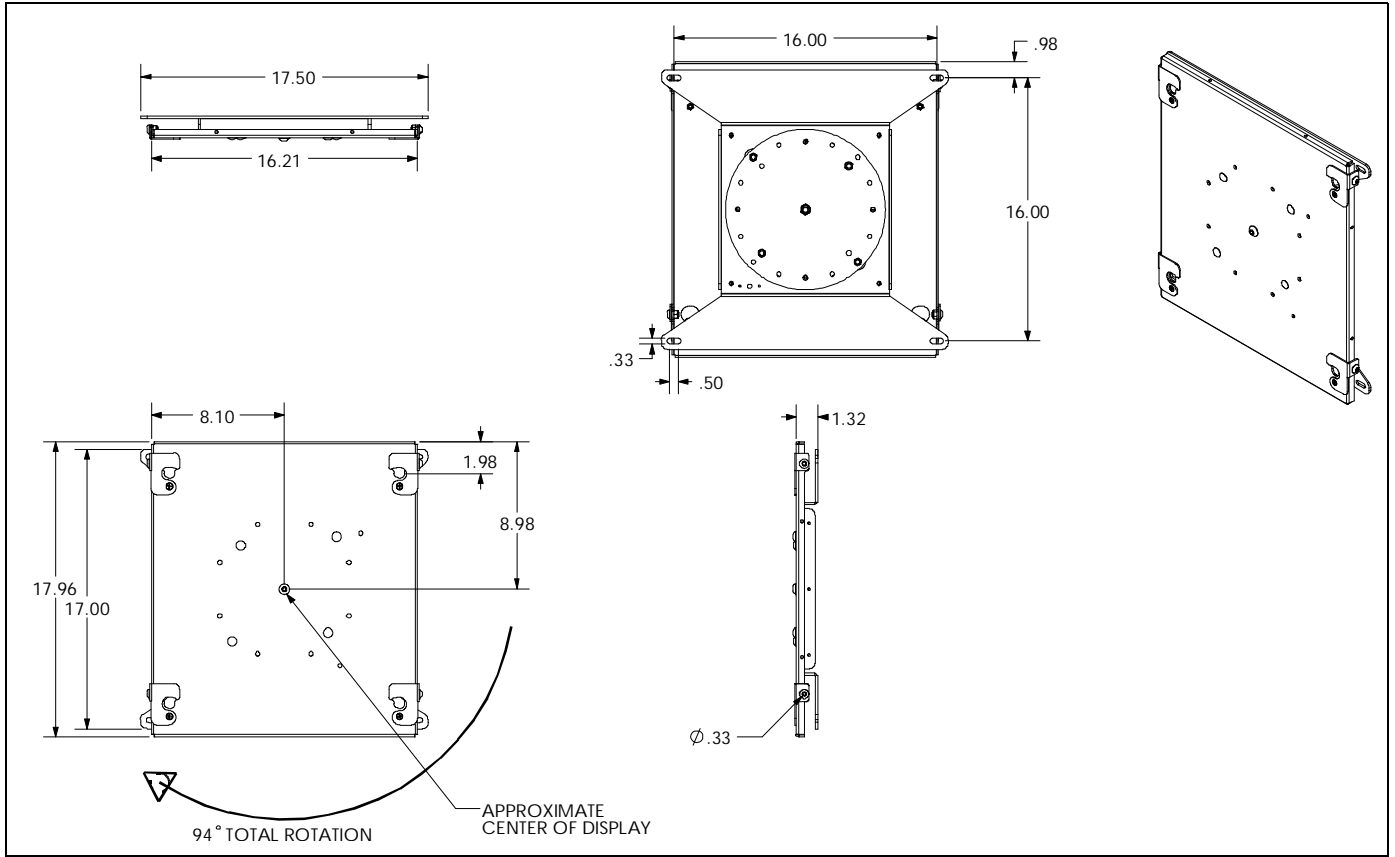
 **WARNING:** Use this mounting system only for its intended use as described in these instructions. Do not use attachments not recommended by the manufacturer.

 **WARNING:** Never operate this mounting system if it is damaged. Return the mounting system to a service center for examination and repair.

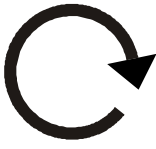

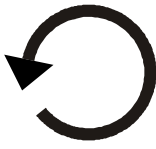


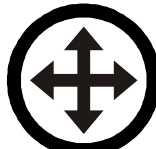


 **WARNING:** Do not use this product outdoors.

**--SAVE THESE INSTRUCTIONS--**

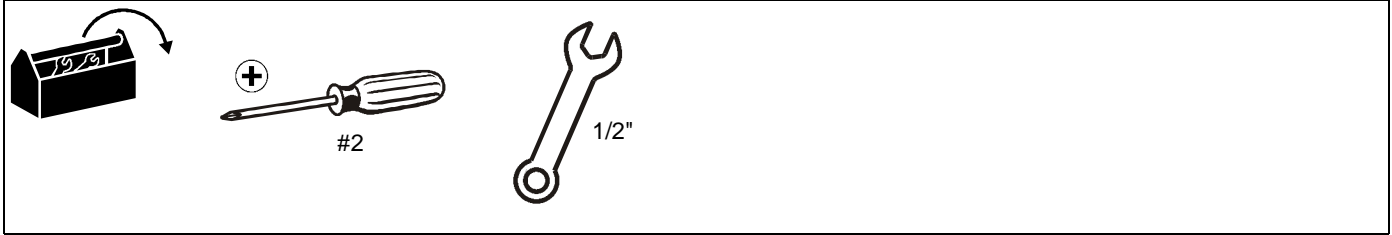
### DIMENSIONS



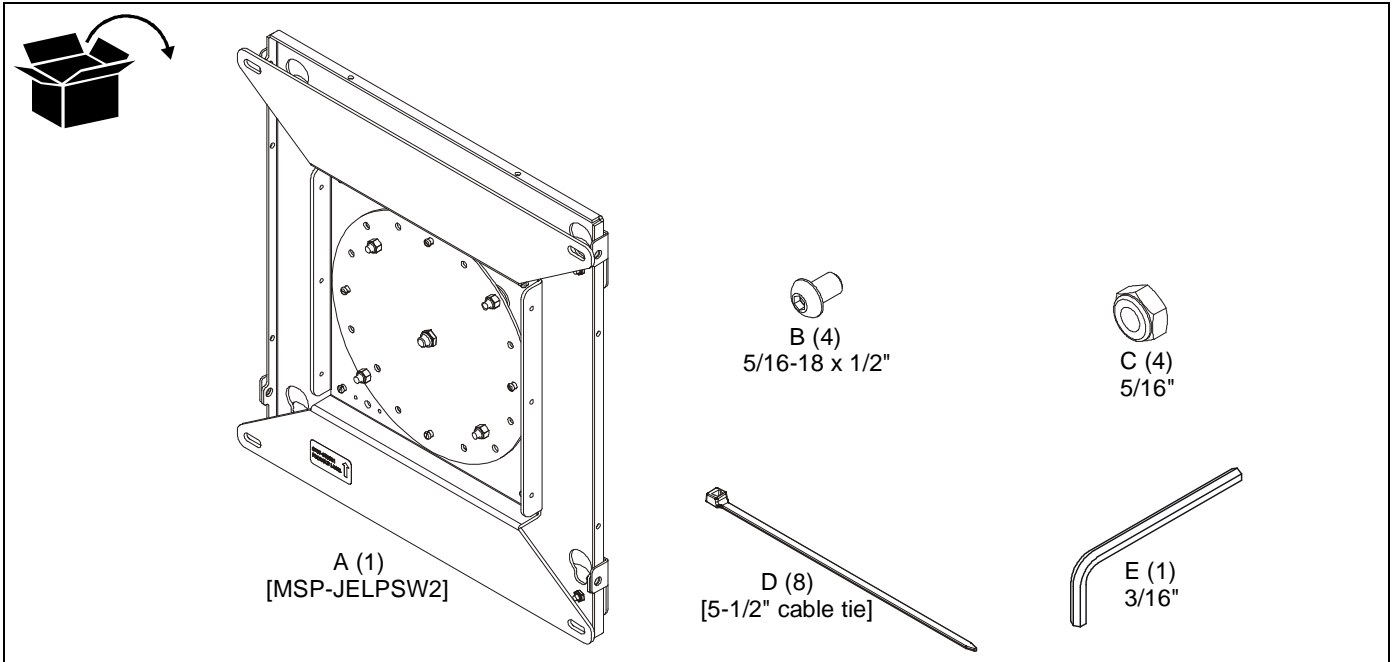
## LEGEND

|   |   |   |   |
|---|---|---|---|
|    | <b>Tighten Fastener</b><br>Apretar elemento de fijación<br>Befestigungsteil festziehen<br>Apertar fixador<br>Serrare il fissaggio<br>Bevestiging vastdraaien<br>Serrez les fixations                  |   | <b>Pencil Mark</b><br>Marcar con lápiz<br>Stiftmarkierung<br>Marcar com lápis<br>Segno a matita<br>Potloodmerkteken<br>Marquage au crayon                             |
|    | <b>Loosen Fastener</b><br>Aflojar elemento de fijación<br>Befestigungsteil lösen<br>Desapertar fixador<br>Allentare il fissaggio<br>Bevestiging losdraaien<br>Desserrez les fixations                 |   | <b>Drill Hole</b><br>Perforar<br>Bohrloch<br>Fazer furo<br>Praticare un foro<br>Gat boren<br>Percez un trou   |
|   | <b>Phillips Screwdriver</b><br>Destornillador Phillips<br>Kreuzschlitzschraubendreher<br>Chave de fendas Phillips<br>Cacciavite a stella<br>Kruiskopschroevendraaier<br>Tournevis à pointe cruciforme |  | <b>Adjust</b><br>Ajustar<br>Einstellen<br>Ajustar<br>Regolare<br>Afstellen<br>Ajuster   |
|  | <b>Open-Ended Wrench</b><br>Llave de boca<br>Gabelschlüssel<br>Chave de bocas<br>Chiave a punte aperte<br>Steeksleutel<br>Clé à fourche   |  | <b>Hex-Head Wrench</b><br>Llave de cabeza hexagonal<br>Sechskantschlüssel<br>Chave de cabeça sextavada<br>Chiave esagonale<br>Zeskantsleutel<br>Clé à tête hexagonale |

### TOOLS REQUIRED FOR INSTALLATION



### PARTS



## MOUNT INSTALLATION

### Installing Mount to Wall



**WARNING:** IMPROPER INSTALLATION CAN LEAD TO MOUNT FALLING CAUSING SERIOUS PERSONAL INJURY OR DAMAGE TO EQUIPMENT! It is the installer's responsibility to make sure the structure to which the mount is being installed is capable of supporting five times the combined weight of the mount and all attachments.

1. Determine mounting location taking into consideration display size and MSP-JELPSW2's range of movement.
2. Verify that mount is oriented properly for mounting. (See Figure 1)

**NOTE:** Make sure the narrower part of the teardrop mounting hole is facing down.

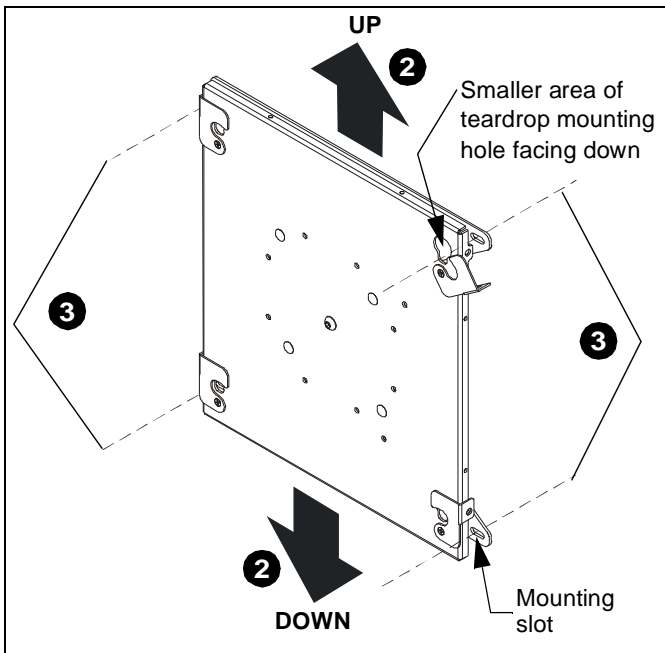


Figure 1

3. Install mount to structure through four corner mounting slots using appropriate mounting hardware (not included) for Jelco EZ-Series mounts.

### Installing Display



**CAUTION:** An interface bracket (not included) is required to properly mount a display to the MSP-JELPSW2 mount.

1. Install interface bracket (not included) to display following instructions included with interface bracket.
2. Open latching flag at each corner of the MSP-JELPSW2 mount to the "Open" position. (See Figure 2)
3. While supporting both sides of the display, align four mounting buttons on interface bracket or display with four mounting holes on MSP-JELPSW2. (See Figure 3)
4. Lower display into place, making sure recessed area of mounting buttons are properly seated in lower area of mounting holes.

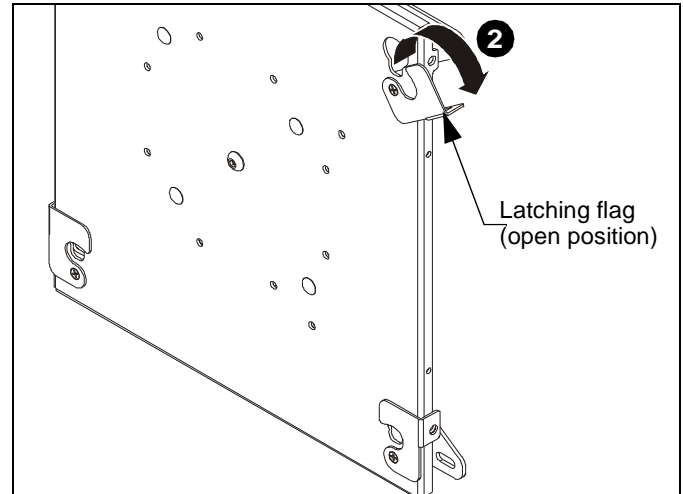


Figure 2

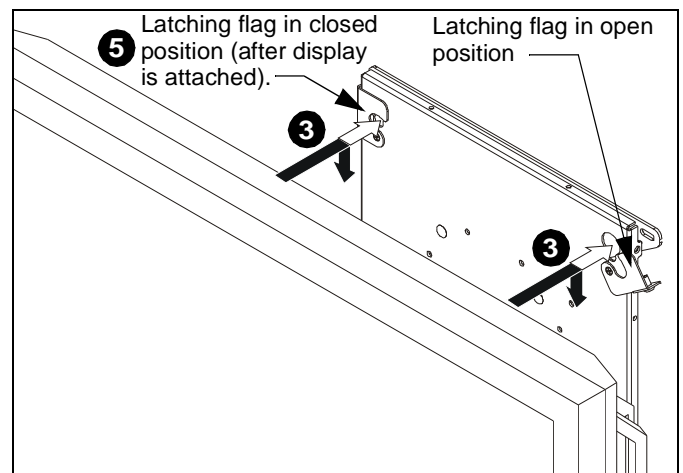


Figure 3

5. Move latching flags to closed position around mounting buttons. (See Figure 3)
6. Lock the display to the mount using one 5/16-18 x 1/2" button head cap screw (B) and one 5/16" lock nut (C) through the latching flag at each corner of mount. (See Figure 4)

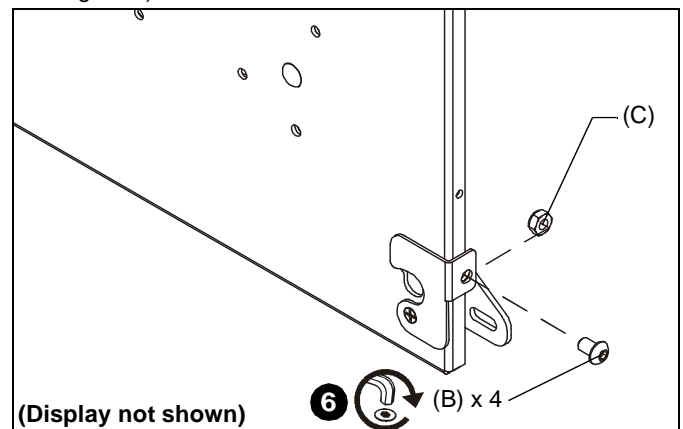


Figure 4

## Repositioning

The MSP-JELPSW2 is designed to reposition the display orientation from "Landscape" or horizontal, to "Portrait" or vertical.

1. Verify that proper clearance is available to allow the display to transition from landscape to portrait.
2. Verify that wires and cables attached to the display are long enough to make the transition and that there is nothing that will interfere with wires and cables during transition.
3. Rotate the mount to the desired position. (See Figure 6)

## Roll Tension Adjustment

**NOTE:** Adjust all adjustment nuts evenly when adjusting roll tension. (See Figure 5)

1. Turn adjustment screws clockwise to increase roll tension.
2. Turn adjustment screws counter-clockwise to decrease roll tension.

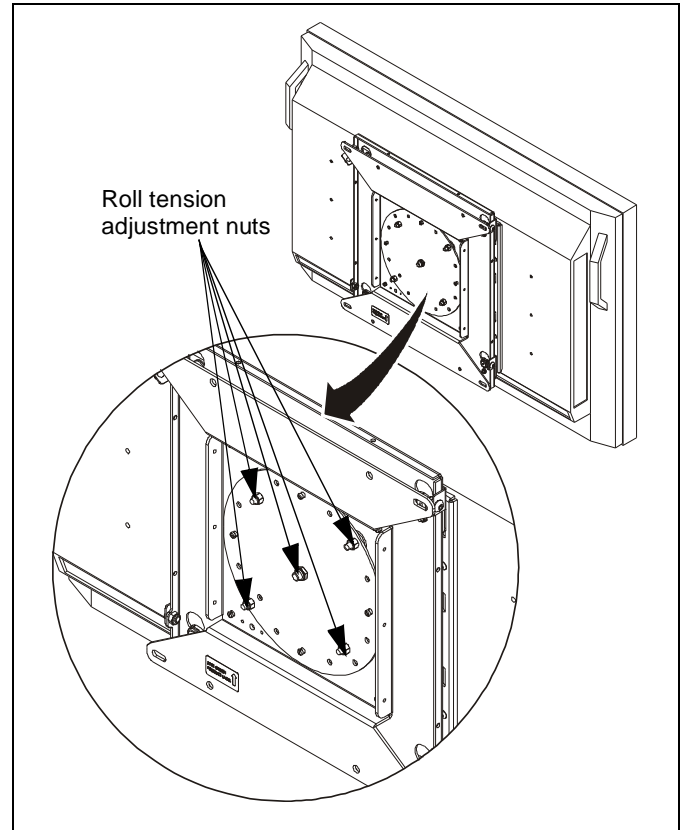


Figure 5

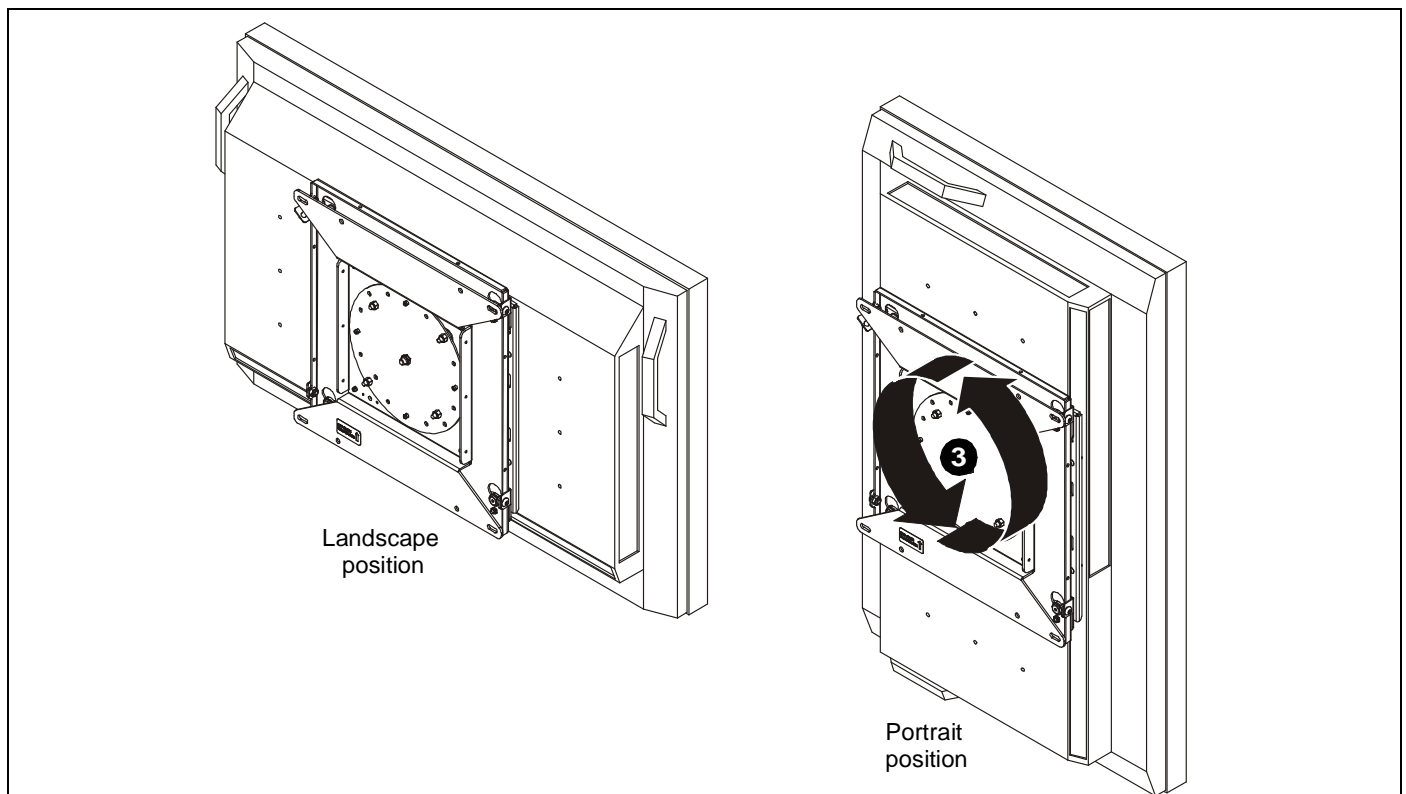


Figure 6



Our Mounts. **Your Vision.**

Chief, a products division of  
Milestone AV Technologies

8800-002550 Rev01  
©2016 Milestone AV Technologies  
[www.milestone.com](http://www.milestone.com)  
03/16

|                          |  |
|--------------------------|--|
| <b>USA/International</b> | <b>A</b> 6436 City West Parkway, Eden Prairie, MN 55344<br><b>P</b> 800.582.6480 / 952.225.6000<br><b>F</b> 877.894.6918 / 952.894.6918                  |
| <b>Europe</b>            | <b>A</b> Franklinstraat 14, 6003 DK Weert, Netherlands<br><b>P</b> +31 (0) 495 580 852<br><b>F</b> +31 (0) 495 580 845                                   |
| <b>Asia Pacific</b>      | <b>A</b> Office No. 918 on 9/F, Shatin Galleria<br>18-24 Shan Mei Street<br>Fotan, Shatin, Hong Kong<br><b>P</b> 852 2145 4099<br><b>F</b> 852 2145 4477 |

