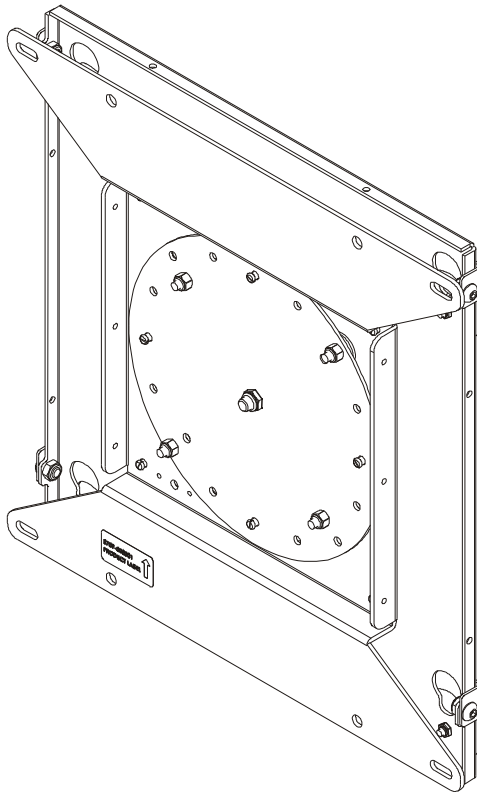

INSTALLATION INSTRUCTIONS



Rotating Wall Mount with Lock

DISCLAIMER

Milestone AV Technologies and its affiliated corporations and subsidiaries (collectively "Milestone"), intend to make this manual accurate and complete. However, Milestone makes no claim that the information contained herein covers all details, conditions or variations, nor does it provide for every possible contingency in connection with the installation or use of this product. The information contained in this document is subject to change without notice or obligation of any kind. Milestone makes no representation of warranty, expressed or implied, regarding the information contained herein. Milestone assumes no responsibility for accuracy, completeness or sufficiency of the information contained in this document.

Chief® is a registered trademark of Milestone AV Technologies. All rights reserved.

DEFINITIONS

MOUNTING SYSTEM: A MOUNTING SYSTEM is the primary Chief product to which an accessory and/or component is attached.

ACCESSORY: AN ACCESSORY is the secondary Chief product which is attached to a primary Chief product, and may have a component attached or setting on it.

COMPONENT: A COMPONENT is an audiovisual item designed to be attached or resting on an accessory or mounting system such as a video camera, CPU, screen, display, projector, etc.



WARNING: A WARNING alerts you to the possibility of serious injury or death if you do not follow the instructions.



CAUTION: A CAUTION alerts you to the possibility of damage or destruction of equipment if you do not follow the corresponding instructions.



IMPORTANT SAFETY INSTRUCTIONS



WARNING: Failure to read, thoroughly understand, and follow all instructions can result in serious personal injury, damage to equipment, or voiding of factory warranty! It is the installer's responsibility to make sure all mounting systems/accessories are properly assembled and installed using the instructions provided.



WARNING: Failure to provide adequate structural strength for this mounting system can result in serious personal injury or damage to equipment! It is the installer's responsibility to make sure the structure to which this mounting system is attached can support five times the combined weight of all equipment. Reinforce the structure as required before installing the mounting system.



WARNING: Exceeding the weight capacity can result in serious personal injury or damage to equipment! It is the installer's responsibility to make sure the combined weight of all components attached to the MSP-JELPSW3 does not exceed 150 lbs (68.0 kg).



WARNING: Use this mounting system only for its intended use as described in these instructions. Do not use attachments not recommended by the manufacturer.



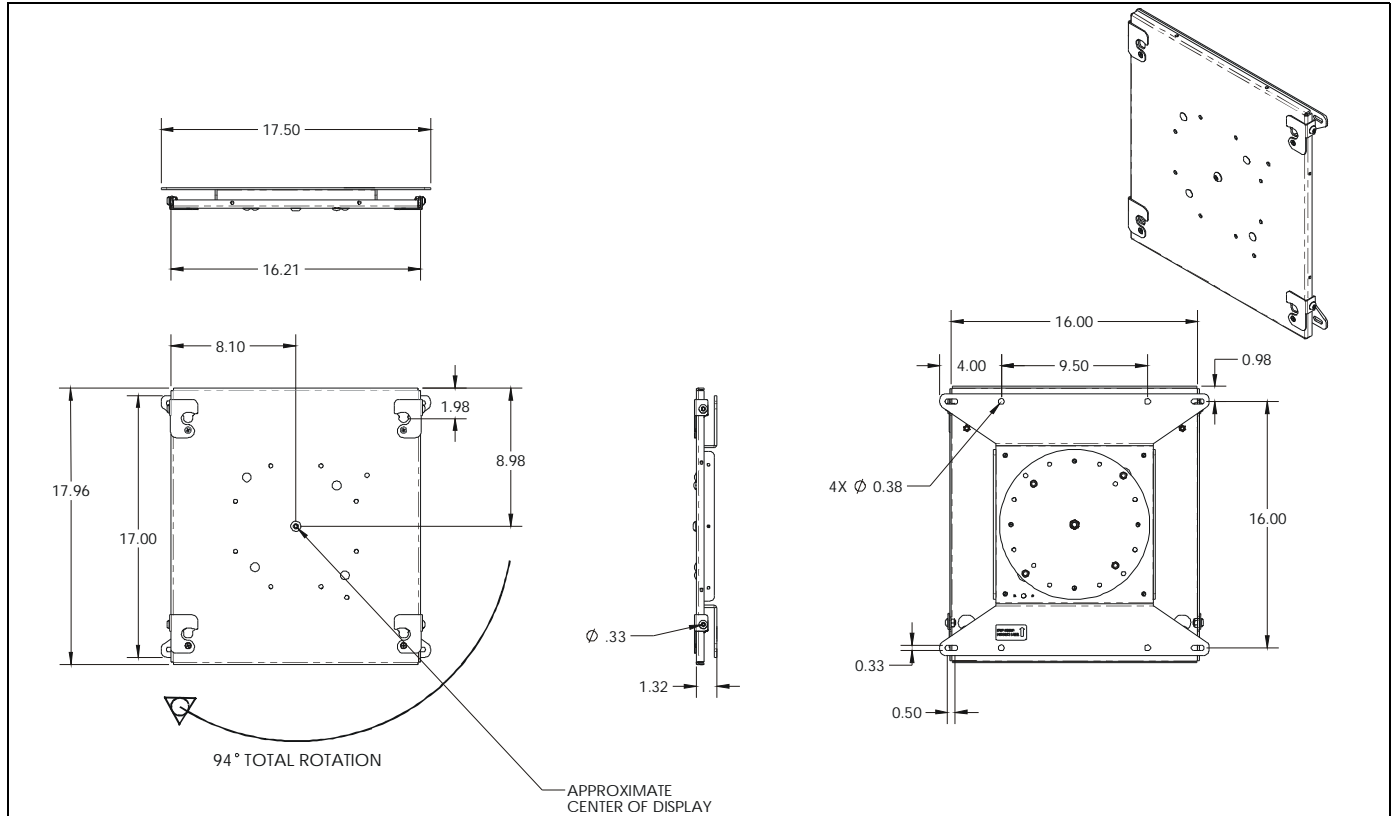
WARNING: Never operate this mounting system if it is damaged. Return the mounting system to a service center for examination and repair.



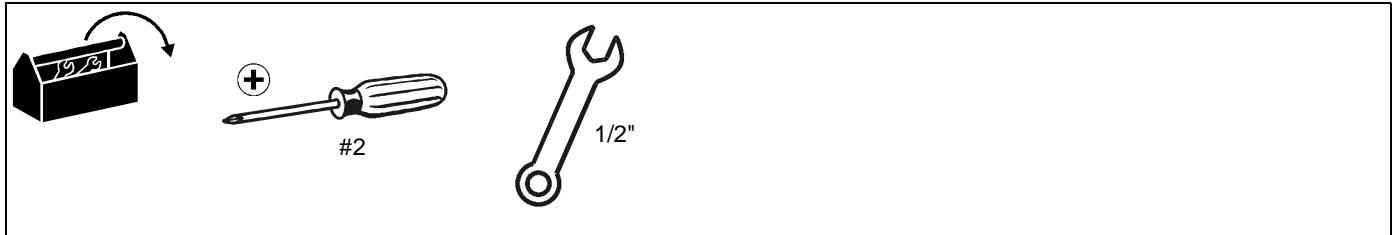
WARNING: Do not use this product outdoors.

--SAVE THESE INSTRUCTIONS--

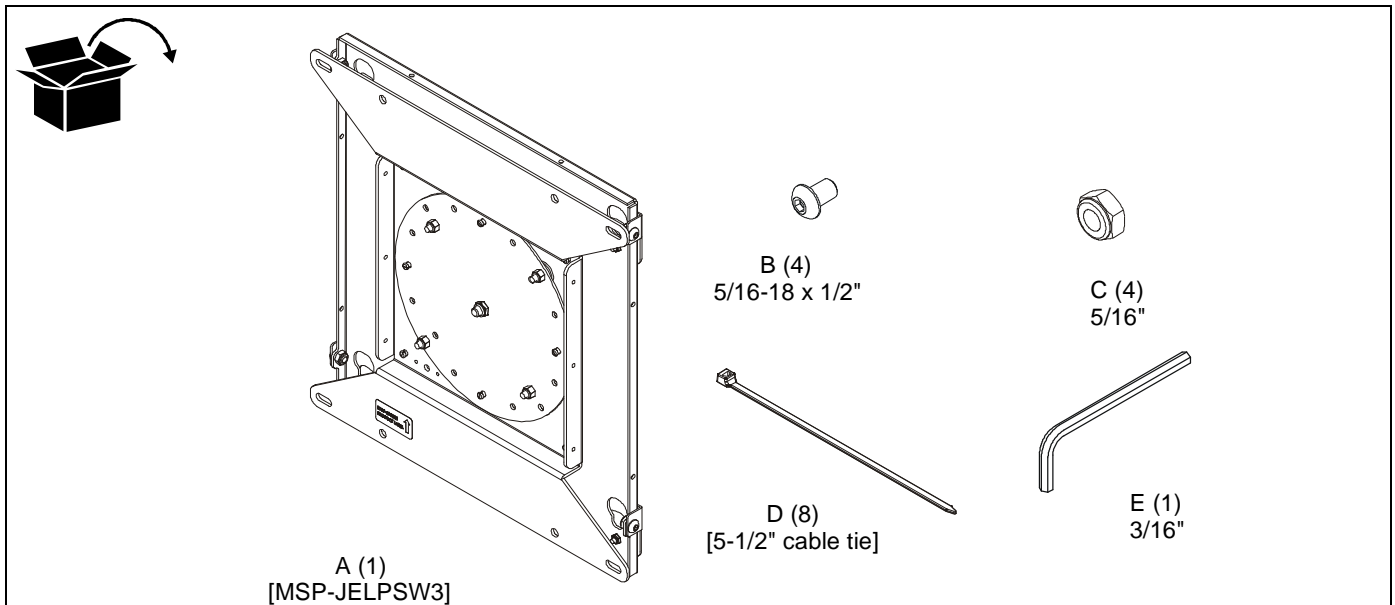
DIMENSIONS



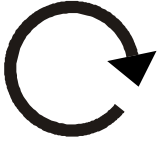

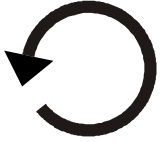





TOOLS REQUIRED FOR INSTALLATION



PARTS



LEGEND

	Tighten Fastener Apretar elemento de fijación Befestigungsteil festziehen Apertar fixador Serrare il fissaggio Bevestiging vastdraaien Serrez les fixations		Pencil Mark Marcar con lápiz Stiftmarkierung Marcar com lápis Segno a matita Potloodmerkteken Marquage au crayon
	Loosen Fastener Aflojar elemento de fijación Befestigungsteil lösen Desapertar fixador Allentare il fissaggio Bevestiging losdraaien Desserrez les fixations		Drill Hole Perforar Bohrloch Fazer furo Praticare un foro Gat boren Percez un trou
	Phillips Screwdriver Destornillador Phillips Kreuzschlitzschraubendreher Chave de fendas Phillips Cacciavite a stella Kruiskopschroevendraaier Tournevis à pointe cruciforme		Adjust Ajustar Einstellen Ajustar Regolare Afstellen Ajuster
	Open-Ended Wrench Llave de boca Gabelschlüssel Chave de bocas Chiave a punte aperte Steeksleutel Clé à fourche		Hex-Head Wrench Llave de cabeza hexagonal Sechskantschlüssel Chave de cabeça sextavada Chiave esagonale Zeskantsleutel Clé à tête hexagonale

MOUNT INSTALLATION

Installing Mount to Wall



WARNING: IMPROPER INSTALLATION CAN LEAD TO MOUNT FALLING CAUSING SERIOUS PERSONAL INJURY OR DAMAGE TO EQUIPMENT! It is the installer's responsibility to make sure the structure to which the mount is being installed is capable of supporting five times the combined weight of the mount and all attachments.

1. Determine mounting location taking into consideration display size and MSP-JELPSW3's range of movement.
2. Verify that mount is oriented properly for mounting. (See Figure 1)

NOTE: Make sure the narrower part of the teardrop mounting hole is facing down.

3. Install mount to structure through four corner mounting slots using appropriate mounting hardware (not included) for Jelco EZ-Series mounts.

NOTE: Alternate mounting holes may be used for certain installations. (See Figure 1)

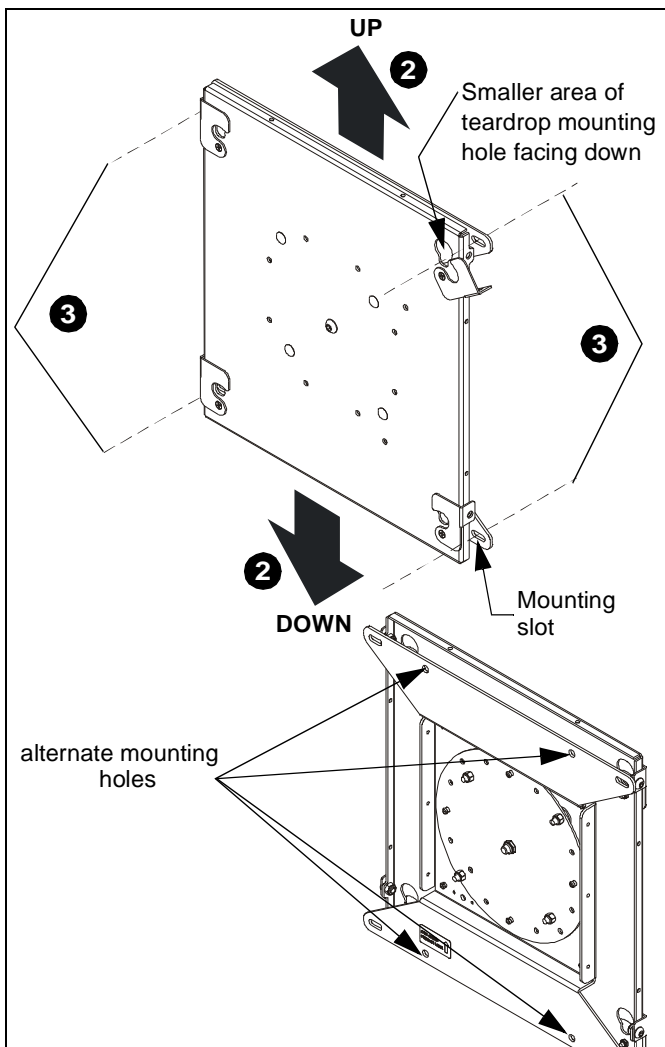


Figure 1

Installing Display



CAUTION: An interface bracket (not included) is required to properly mount a display to the MSP-JELPSW3 mount.

1. Install interface bracket (not included) to display following instructions included with interface bracket.
2. Open latching flag at each corner of the MSP-JELPSW3 mount to the "Open" position. (See Figure 2)
3. While supporting both sides of the display, align four mounting buttons on interface bracket or display with four mounting holes on MSP-JELPSW3. (See Figure 3)
4. Lower display into place, making sure recessed area of mounting buttons are properly seated in lower area of mounting holes.

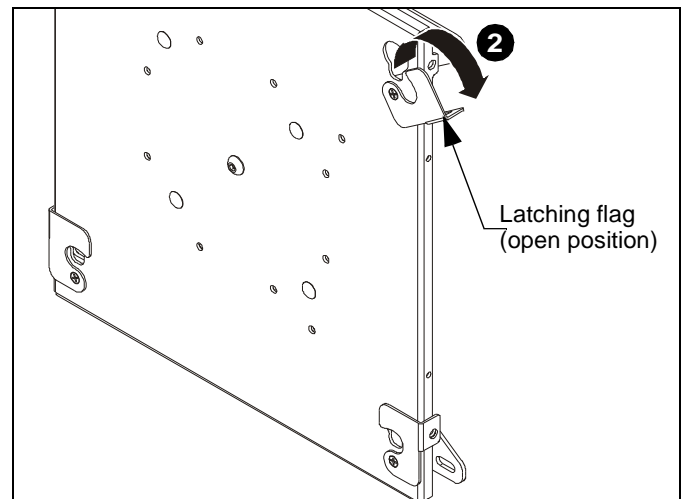


Figure 2

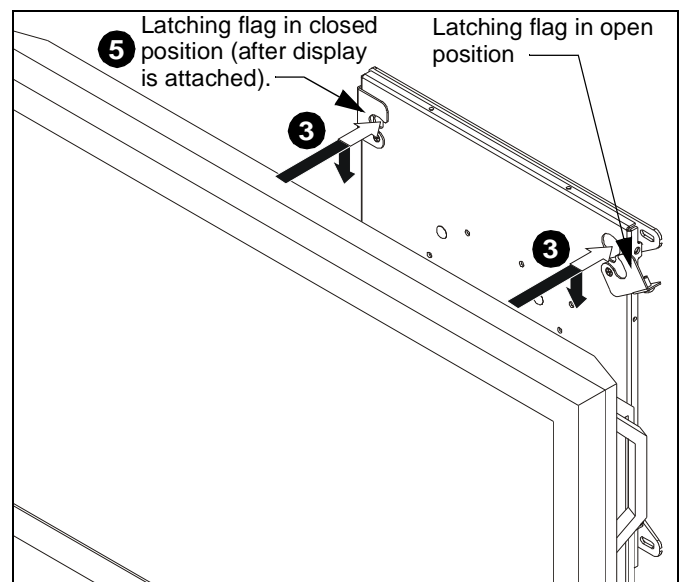


Figure 3

5. Move latching flags to closed position around mounting buttons. (See Figure 3)

- Lock the display to the mount using one 5/16-18 x 1/2" button head cap screw (B) and one 5/16" lock nut (C) through the latching flag at each corner of mount. (See Figure 4)

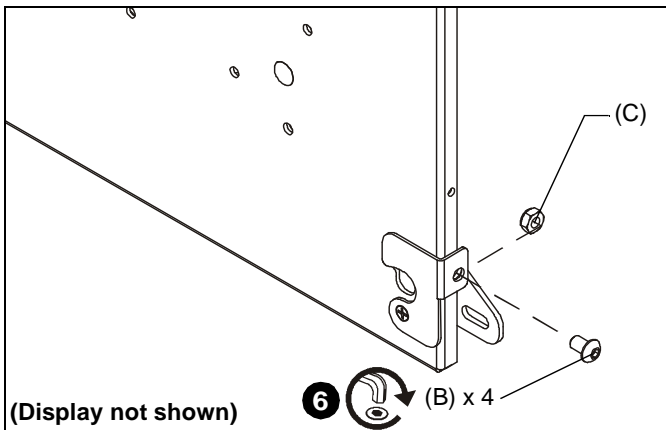


Figure 4

Repositioning

The MSP-JELPSW3 is designed to reposition the display orientation from "Landscape" or horizontal, to "Portrait" or vertical.

- Verify that proper clearance is available to allow the display to transition from landscape to portrait.
- Verify that wires and cables attached to the display are long enough to make the transition and that there is nothing that will interfere with wires and cables during transition.
- Rotate the mount to the desired position. (See Figure 6)

Roll Tension Adjustment

NOTE: Adjust all five adjustment nuts evenly when adjusting roll tension. (See Figure 5)

- Turn adjustment screws clockwise to increase roll tension.
- Turn adjustment screws counter-clockwise to decrease roll tension.

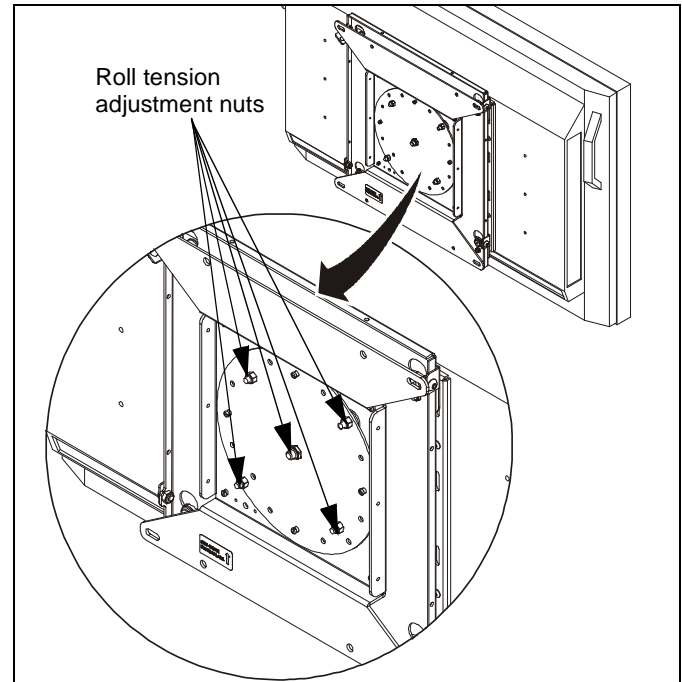


Figure 5

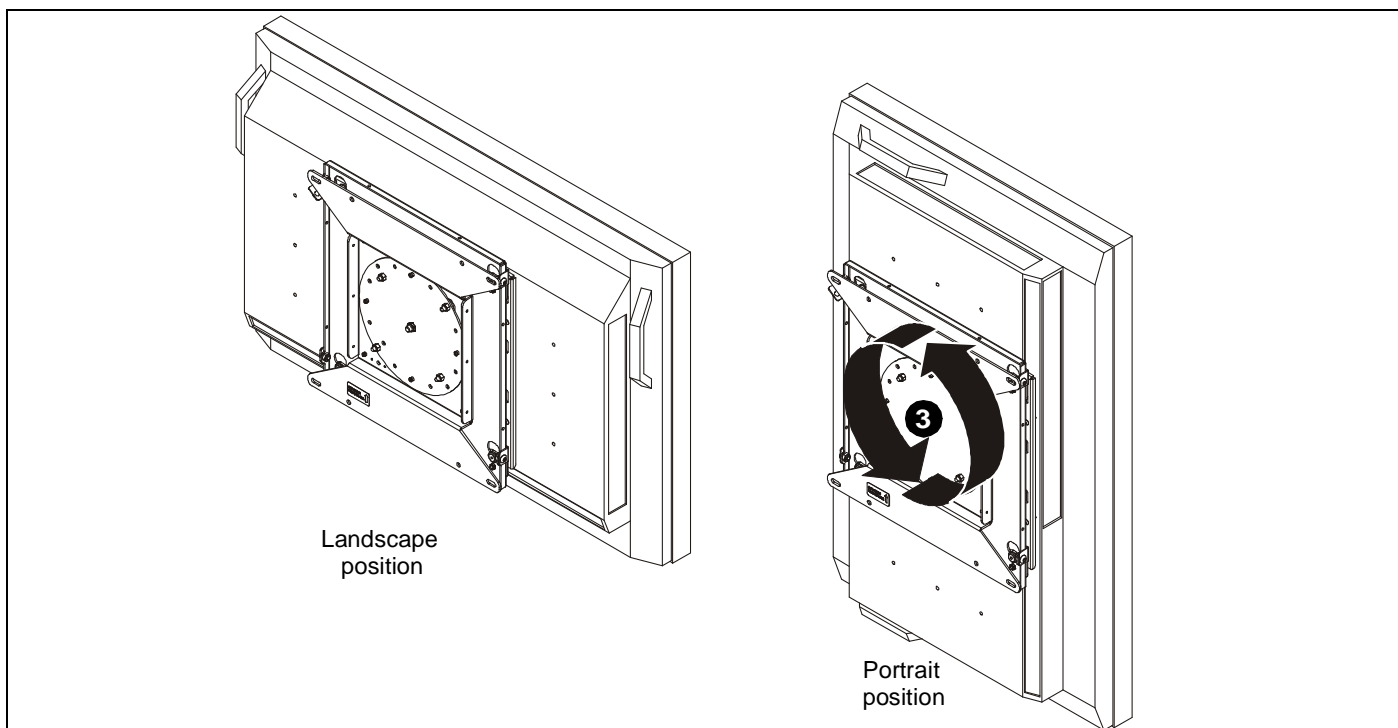


Figure 6



Our Mounts. **Your Vision.**

Chief, a products division of
Milestone AV Technologies

8800-002820 Rev00
©2016 Milestone AV Technologies
www.milestone.com
03/16

USA/International	A 6436 City West Parkway, Eden Prairie, MN 55344 P 800.582.6480 / 952.225.6000 F 877.894.6918 / 952.894.6918
Europe	A Franklinstraat 14, 6003 DK Weert, Netherlands P +31 (0) 495 580 852 F +31 (0) 495 580 845
Asia Pacific	A Office No. 918 on 9/F, Shatin Galleria 18-24 Shan Mei Street Fotan, Shatin, Hong Kong P 852 2145 4099 F 852 2145 4477

