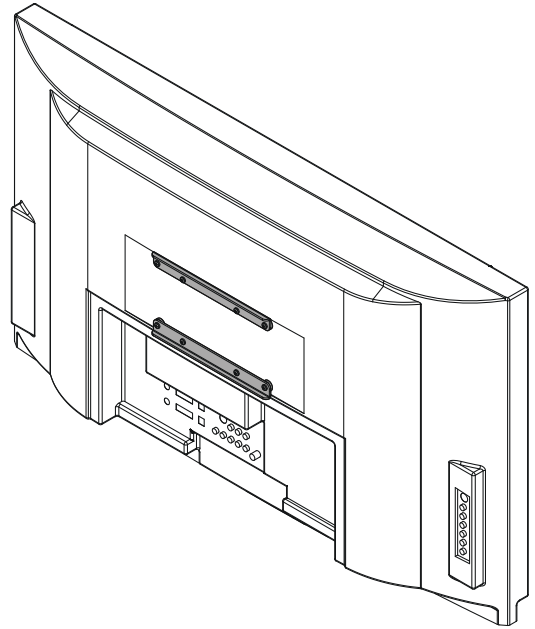

INSTALLATION INSTRUCTIONS

100mm x 200mm Hardware Kit (Included with MSP-LGFSA)

Specifications:

- Designed for installing the LG32LX3DC display to the iC-SP-TP1 wall mount.



Hardware Kit shown installed on LG32LX3DC Display
(Display not included)

BEFORE YOU BEGIN



WARNING: It is the installer's responsibility to make sure all components are properly assembled and installed using the instructions provided. Failure to read, thoroughly understand, and follow all instructions can result in serious personal injury, damage to equipment, or voiding of factory warranty.

- If you have any questions about these instructions or your specific installation, contact Chief Manufacturing at 1-800-582-6480 or 952-894-6280.

! IMPORTANT WARNINGS AND CAUTIONS!

WARNING: A WARNING alerts you to the possibility of serious injury or death if you do not follow the instructions.

CAUTION: A CAUTION alerts you to the possibility of damage or destruction of equipment if you do not follow the corresponding instructions.



WARNING: Exceeding the weight capacity can result in serious personal injury or damage to equipment! It is the installer’s responsibility to make sure the combined weight of all components attached to the iC-SP-TP1 does not exceed the limitations specified in the iC-SP-TP1 Installation Instructions.



CAUTION: Overtightening fasteners may result in improper operation, excessive wear or damage to equipment, and/or voiding of factory warranty!

TOOLS REQUIRED FOR INSTALLATION

- Phillips Screwdriver, #2

NOTE: Other tools may be required depending on your method of installation.

PARTS

After unpacking carton, inspect and verify contents (See Figure 1). If any listed parts are missing or damaged, contact Chief Customer Service at 1-800-582-6480.

Table 1: Parts

Item	Description	Qty
10	BRACKET, Adapter	2
20	SPACER, 1/8" long	4
30	SCREW, Phillips Pan Machine, M4 x 5mm	4
	Mount, iC-SP-TP1 (Required, not included)	1

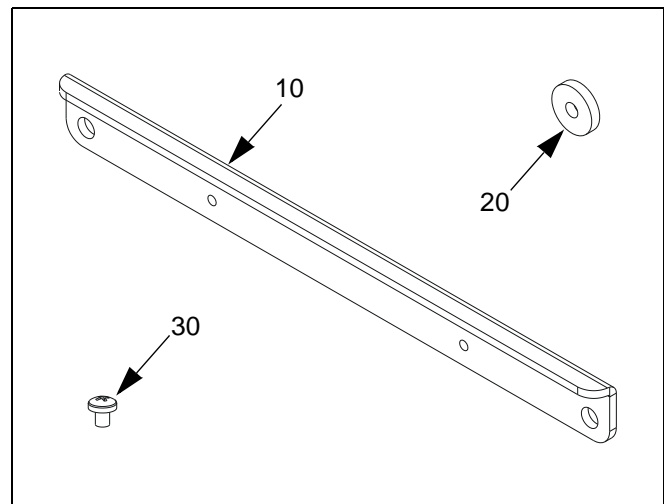


Figure 1: Parts

INSTALLATION

IMPORTANT ! : These Installation Instructions are intended ONLY for installing an LG32LX3DC display to an iC-SP-TP1 wall mount. These instructions do NOT provide all information required to install the iC-SP-TP1 mount. You must follow the iC-SP-TP1 Installation Instructions (included with the iC-SP-TP1 mount) when directed to do so in the following procedure.

NOTE: Specific items referenced in the iC-SP-TP1 Installation Instructions are identified in this procedure by their corresponding callout letter.

1. Install wall bracket ("L") and cover ("M") per the iC-SP-TP1 Installation Instructions Steps 1 and 2.
2. Carefully place display face down on protective surface.



CAUTION: Using screws of improper size may damage your display! Proper screws will easily and completely thread into display mounting holes.

3. Using Phillips screwdriver, carefully install four M4 x 20mm screws ("B") through brackets (10) and spacers (20) into display mounting holes (See Figure 2). Tighten screws. Ensure proper orientation of brackets (10).

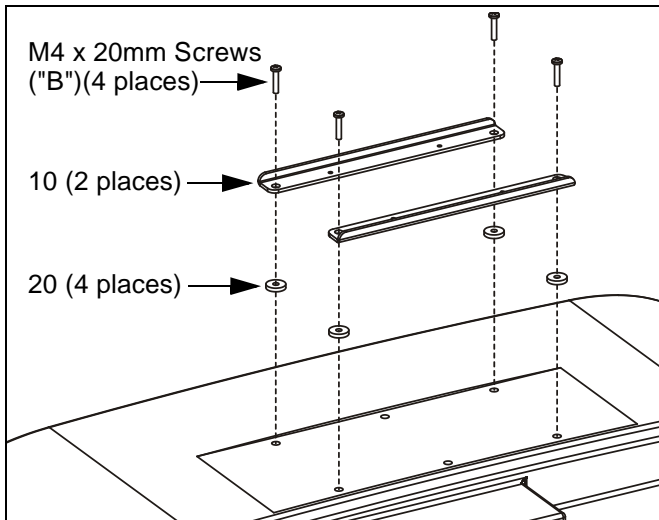


Figure 2: Install Adapter Brackets

4. Rotate plate on Centris head ("J") so that teardrop mounting holes in plate are horizontal (See Figure 3).

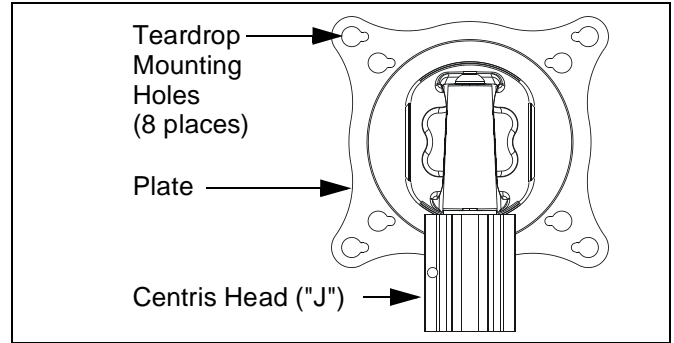


Figure 3: Rotate Plate

5. Using Phillips screwdriver, install four screws (30) through plate into brackets (10) (See Figure 4). Tighten screws.

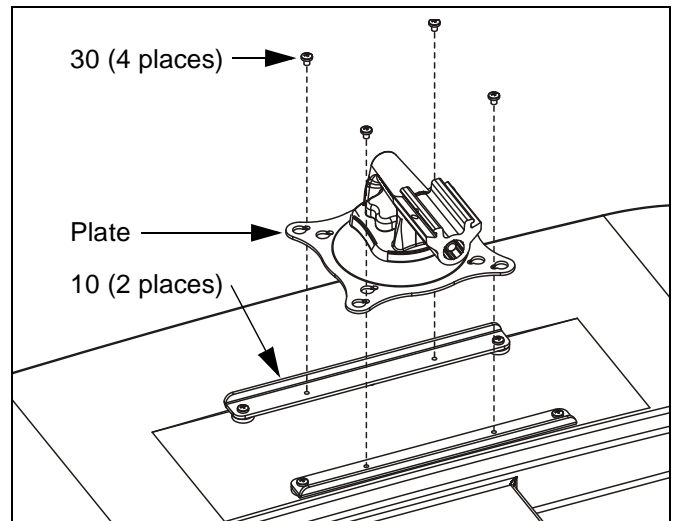


Figure 4: Install Centris Head



CAUTION: Failure to properly secure Centris head ("J") to wall bracket ("L") with set screw ("G") can result in serious personal injury or damage to equipment!

6. Install and secure Centris head ("J"), with attached display, to wall bracket ("L") per iC-SP-TP1 Installation Instructions Step 3.
7. Install caps ("K") per iC-SP-TP1 Installation Instructions Step 4.

NOTE: iC-SP-TP1 Installation Instructions Steps 5 and 5a are deleted when installing this 100mm x 200mm Hardware Kit.

8. Install display cables per iC-SP-TP1 Installation Instructions Step 6.
9. Installation is complete.

