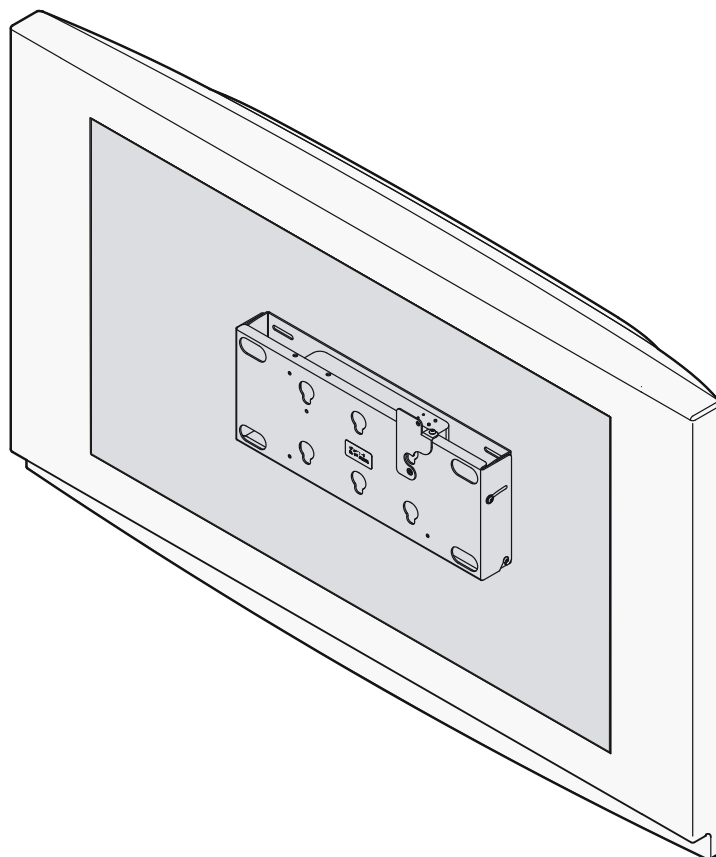

INSTALLATION INSTRUCTIONS



Pitch Adjustable Wall Mount

DISCLAIMER

CSAV, Inc., and its affiliated corporations and subsidiaries (collectively, "CSAV"), intend to make this manual accurate and complete. However, CSAV makes no claim that the information contained herein covers all details, conditions or variations, nor does it provide for every possible contingency in connection with the installation or use of this product. The information contained in this document is subject to change without notice or obligation of any kind. CSAV makes no representation of warranty, expressed or implied, regarding the information contained herein. CSAV assumes no responsibility for accuracy, completeness or sufficiency of the information contained in this document.



WARNING: Failure to read, thoroughly understand, and follow all instructions can result in serious personal injury, damage to equipment, or voiding of factory warranty! It is the installer's responsibility to make sure all components are properly assembled and installed using the instructions provided.



WARNING: Failure to provide adequate structural strength for this component can result in serious personal injury or damage to equipment! It is the installer's responsibility to make sure the structure to which this component is attached can support five times the combined weight of all equipment. Reinforce the structure as required before installing the component.



WARNING: Exceeding the weight capacity can result in serious personal injury or damage to equipment! It is the installer's responsibility to make sure the combined weight of all components, including CPU, does not exceed 75 lbs (34 kg).

! IMPORTANT WARNINGS AND CAUTIONS!



WARNING: A WARNING alerts you to the possibility of serious injury or death if you do not follow the instructions.



CAUTION: A CAUTION alerts you to the possibility of damage or destruction of equipment if you do not follow the corresponding instructions.

DIMENSIONS

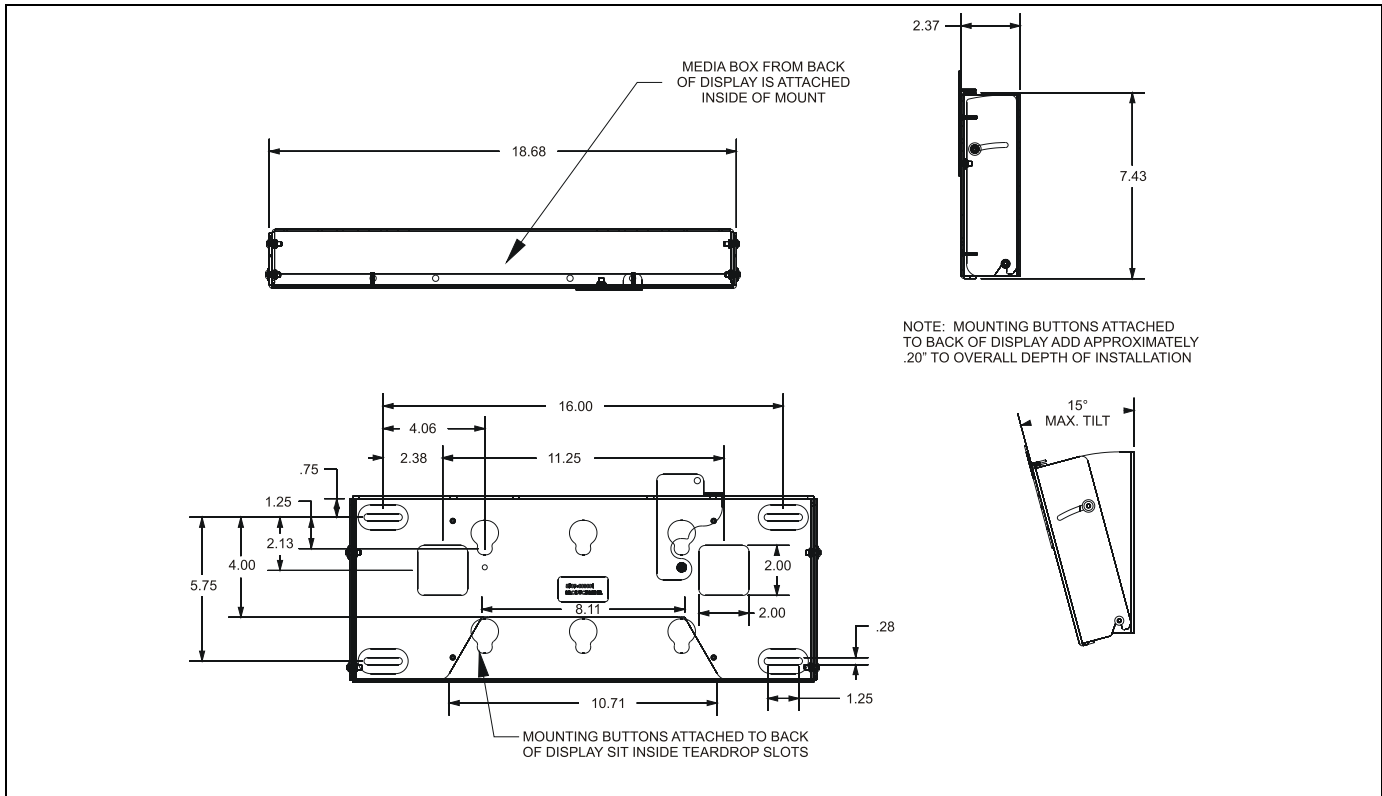


Figure 1

LEGEND

	Tighten Fastener
	Apretar elemento de fijación
	Befestigungsteil festziehen
	Apertar fixador
	Serrare il fissaggio
	Bevestiging vastdraaien
Serrez les fixations	

	Pencil Mark
	Marcar con lápiz
	Stiftmarkierung
	Marcar com lápis
	Segno a matita
	Potloodmerkten
Marquage au crayon	

	Loosen Fastener
	Aflojar elemento de fijación
	Befestigungsteil lösen
	Desapertar fixador
	Allentare il fissaggio
	Bevestiging losdraaien
Desserrez les fixations	

	Drill Hole
	Perforar
	Bohrloch
	Fazer furo
	Praticare un foro
	Gat boren
Percez un trou	

	Phillips Screwdriver
	Destornillador Phillips
	Kreuzschlitzschraubendreher
	Chave de fendas Phillips
	Cacciavite a stella
	Kruiskopschroevendraaier
Tournevis à pointe cruciforme	

	Adjust
	Ajustar
	Einstellen
	Ajustar
	Regolare
	Afstellen
Ajuster	

	Open-Ended Wrench
	Llave de boca
	Gabelschlüssel
	Chave de bocas
	Chiave a punte aperte
	Steeksleutel
Clé à fourche	

	Remove
	Quitar
	Entfernen
	Remover
	Rimuovere
	Verwijderen
Retirez	

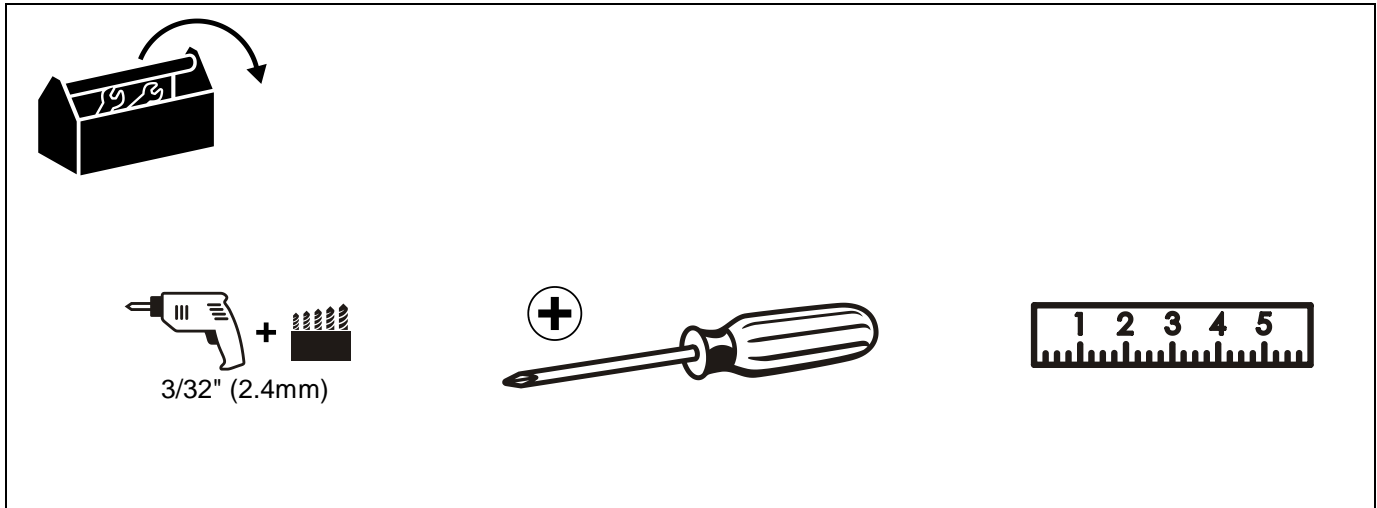
	By Hand
	A mano
	Von Hand
	Com a mão
	A mano
	Met de hand
À la main	

	Optional
	Opcional
	Optional
	Opcional
	Opzionale
	Optie
En option	

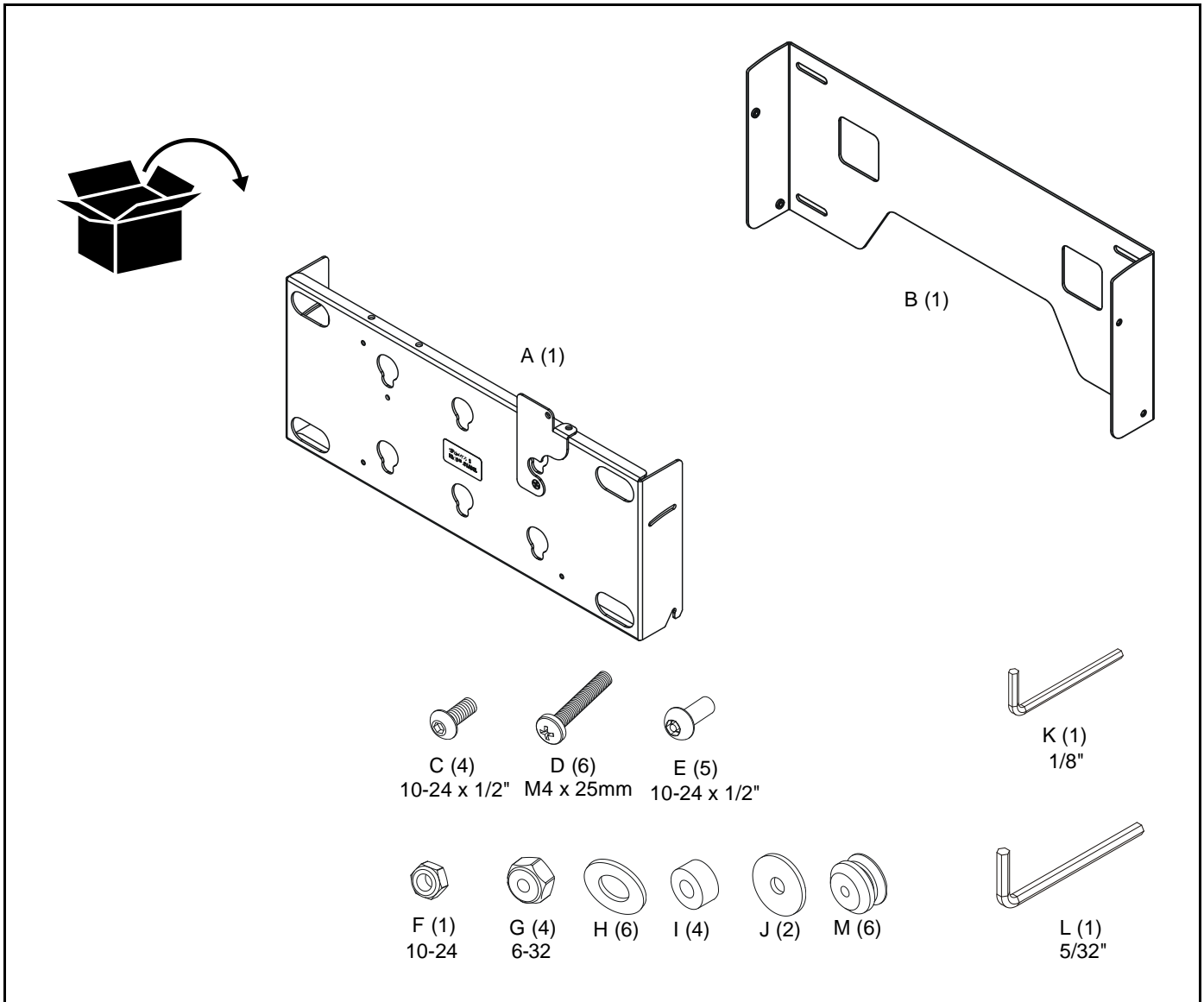
	Hex-Head Wrench
	Llave de cabeza hexagonal
	Sechskantschlüssel
	Chave de cabeça sextavada
	Chiave esagonale
	Zeskantsleutel
Clé à tête hexagonale	

	Security Wrench
	Llave de seguridad
	Sicherheitsschlüssel
	Chave de segurança
	Chiave di sicurezza
	Veiligheidssleutel
Clé de sécurité	

TOOLS REQUIRED FOR INSTALLATION



PARTS



MOUNT INSTALLATION

1. Carefully place display face down on a clean dry surface.
2. Disconnect all cables routed from display to CPU.
3. Remove 4 screws securing CPU to display. (See Figure 2)
4. Remove CPU from display and set aside.

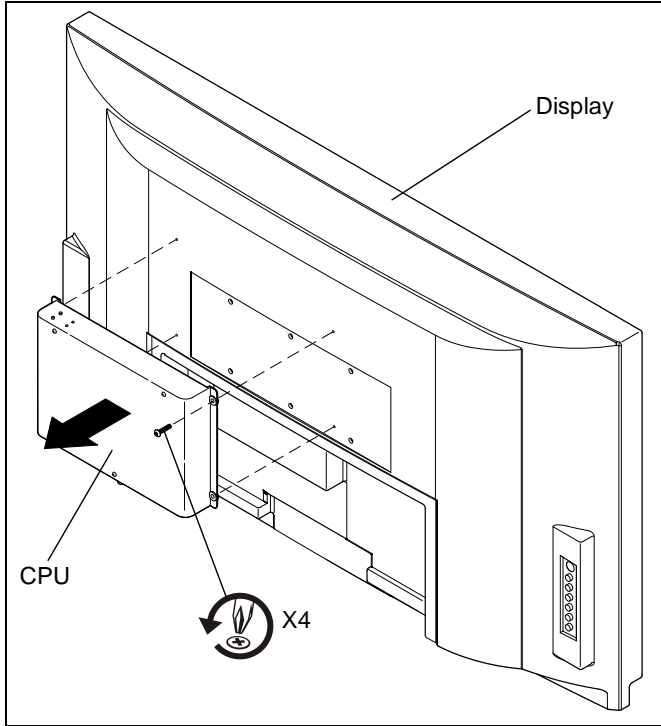


Figure 2

5. Install six mounting buttons to back of display using six M4 x 25mm Phillips button head machine screws. (See Figure 3)

NOTE: If mount is being used with an LG Model 32LX3DC display, it is necessary to install six spacers (provided) between each mounting button and the back of display. (See Figure 3)

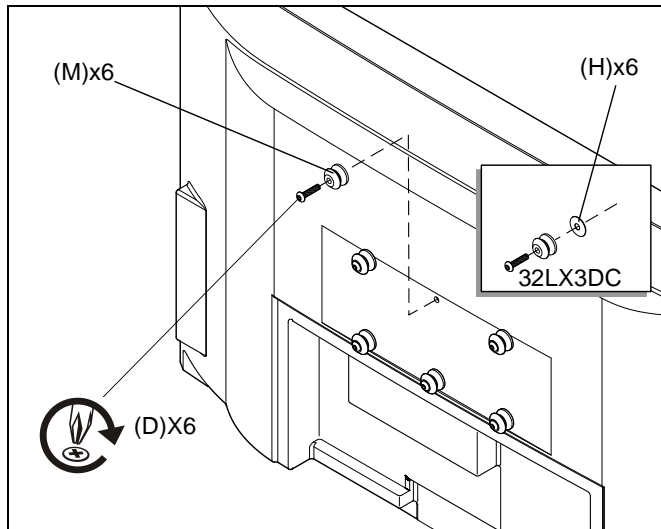


Figure 3

6. Secure CPU to four studs on back of front bracket using four spacers and four #6-32 lock nuts. (See Figure 4)

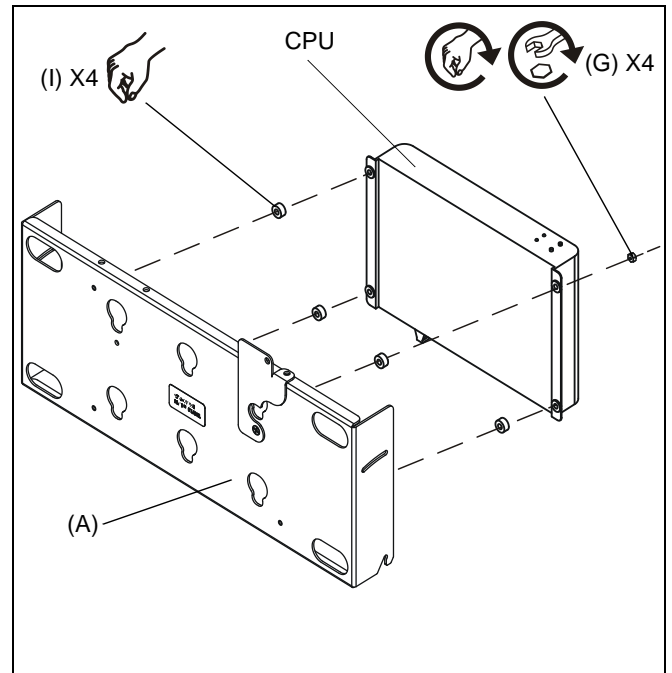


Figure 4

7. Identify desired mounting location.

NOTE: The mount is designed to be installed on wood studs 16" on center.

8. Locate studs and desired mounting height.
9. Place back bracket against wall and level aligning slots in bracket with studs.



WARNING: IMPROPER INSTALLATION CAN LEAD TO MOUNT FALLING CAUSING SERIOUS PERSONAL INJURY OR DAMAGE TO EQUIPMENT! The installer is responsible for verifying that the structure to which the mount is anchored will safely support five times the combined load of the mount and all attached components.

10. Mark center of each slot in back bracket.
11. Drill four 3/32" dia. (2.5mm) pilot holes at marks. (See Figure 5)
12. Secure back bracket to studs using four 1/4" flat washers and four 1/4 x 2" lag bolts. **(This hardware is required for proper installation but is not provided with mount)**



WARNING: IMPROPER INSTALLATION CAN LEAD TO MOUNT FALLING CAUSING SERIOUS PERSONAL INJURY OR DAMAGE TO EQUIPMENT! DO NOT substitute hardware. Use only hardware provided or recommended by manufacturer.

CAUTION: OVERTIGHTENING CAN DAMAGE THE MOUNTING SURFACE! DO NOT overtighten hardware.

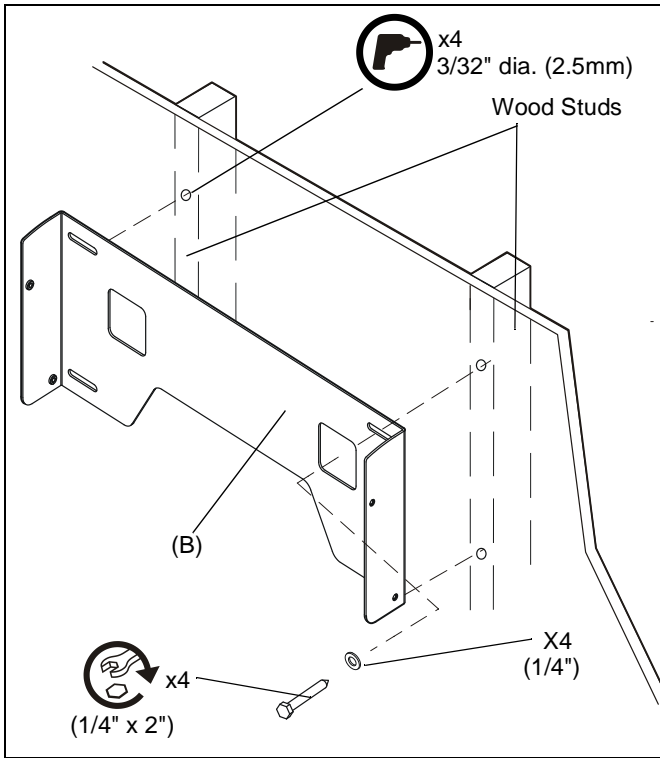


Figure 5

13. Hand-tighten one 10-24 x 1/2" button head security screw into the bottom hole on each end of the back bracket. (See Figure 6)

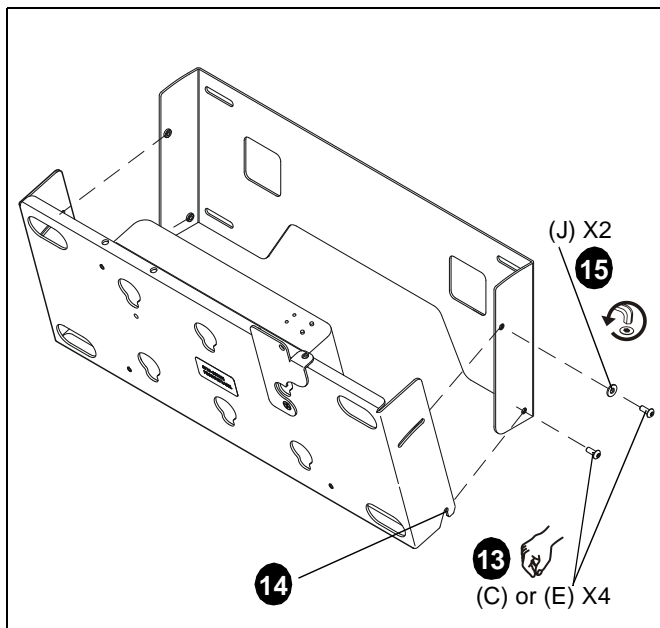


Figure 6

14. Hook the front bracket onto the back bracket at the button head or button head security screw.

15. Push the front bracket over the back bracket so that they are both in an upright position. Insert one 10-24 x 1/2" button head or button head security screw through a flat washer into the upper hole on each end of the bracket assembly and hand-tighten.

DISPLAY INSTALLATION

1. Move latching flag to the **OPEN** position. (See Figure 7)
2. Lower display until the recessed area of all six mounting buttons is seated in the lower area of teardrop mounting holes. (See Figure 7)
3. Move latching flag to the **LATCHED** position to secure display to mounting bracket. (See Figure 7)

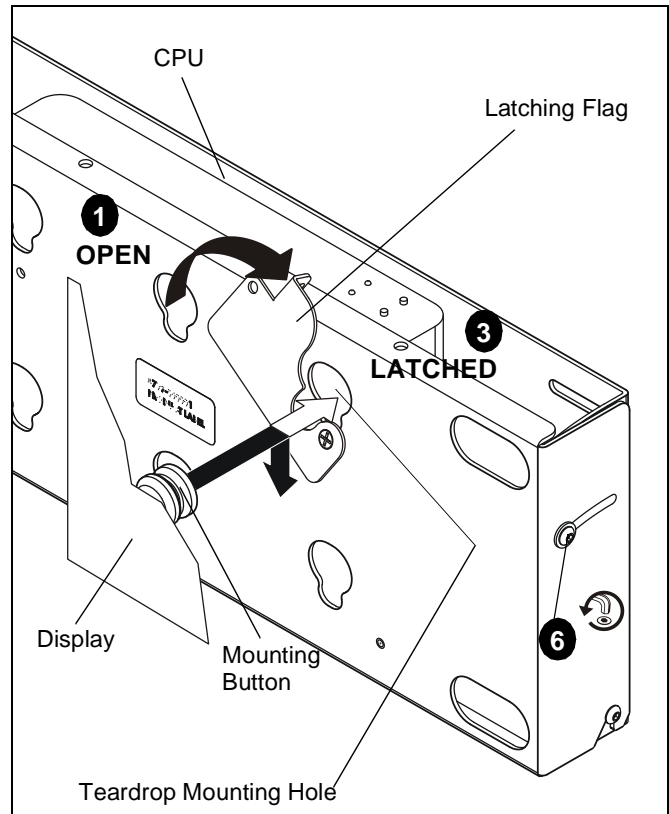


Figure 7

WARNING: IMPROPER INSTALLATION CAN LEAD TO DISPLAY FALLING CAUSING SERIOUS PERSONAL INJURY OR DAMAGE TO EQUIPMENT! Make sure mounting buttons are properly seated in teardrop mounting holes and latching flag is fully closed.

4. Insert padlock or 10-24 x 1/2" security screw and 10-24 nylock nut (F) into latching flag to secure flag, if desired.
5. Connect all cable.
6. Loosen the one button head or button head security screw at each end of the bracket and adjust the front bracket with display to the desired angle. (See Figure 7)
7. Tighten the screws.



8832-000175
©2006 Chief Manufacturing
www.chiefmfg.com
11/06

USA/International	A 8401 Eagle Creek Parkway, Savage, MN 55378 P 800.582.6480 / 952.894.6280 F 877.894.6918 / 952.894.6918
Europe	A Fellenoord 130 5611 ZB EINDHOVEN, The Netherlands P +31 (0)40 2668620 F +31 (0)40 2668615
Asia Pacific	A Room 30I, Block D, Lily YinDu International Building LuoGang, BuJi Town, Shenzhen, CHINA. Post Code: 518112 深圳市布吉罗岗百合银都国际大厦D栋30I P +86-755-8996 9226 ; 8996 9236 ; 8996 9220 F +86-755-8996 9217