

INSTALLATION INSTRUCTIONS

MODEL: MSP-LVSKIT1

ConnexSys Replacement Latch

IMPORTANT ! : Before proceeding, verify that part needs replacement. (See Figure 1)

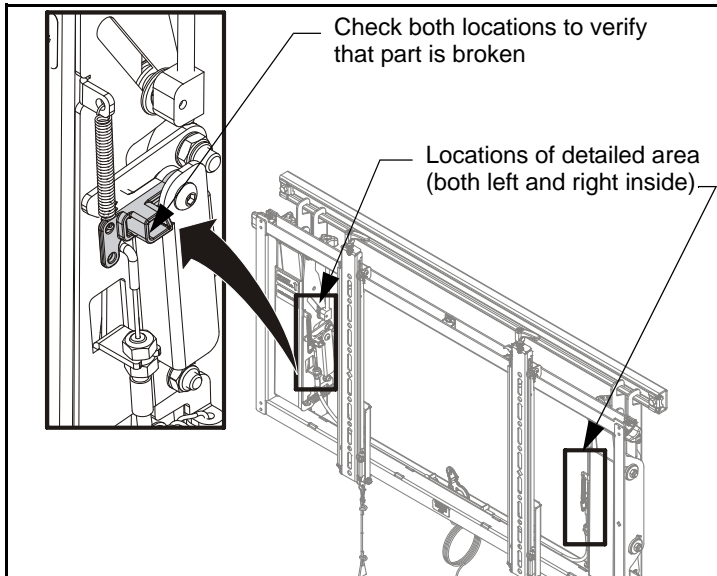


Figure 1

1. Unpack carton and verify contents (See Figure 2)

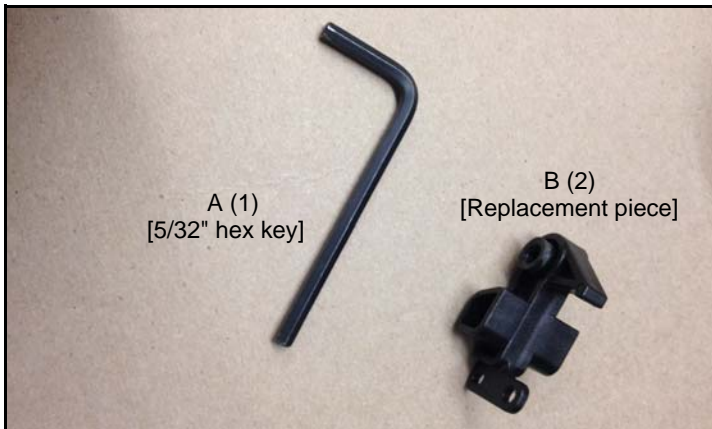


Figure 2

NOTE: The best way to perform this piece replacement is with the ConnexSys mount extended in the service position on a table. If the ConnexSys mount is installed on a wall, remove any weight that may be on it and open it to service position before continuing with the replacement.

2. Remove and save the button head screw holding the piece in place. (See Figure 3)

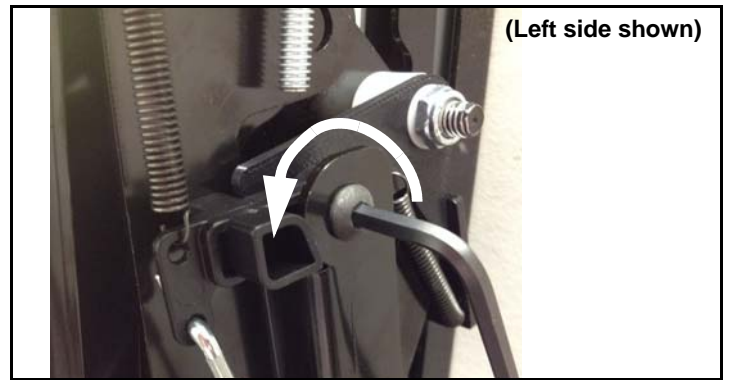


Figure 3

3. Disconnect spring from top and pull cable from the bottom, and discard broken piece. (See Figure 4)

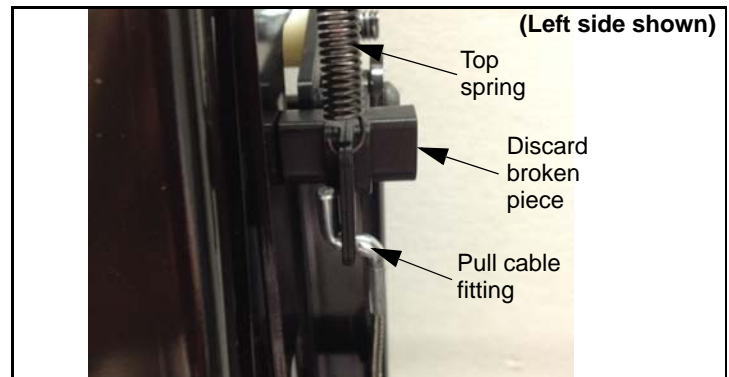


Figure 4

4. Align new piece (B) with opening, and install pull cable fitting through hole. (See Figure 4) and (See Figure 5)

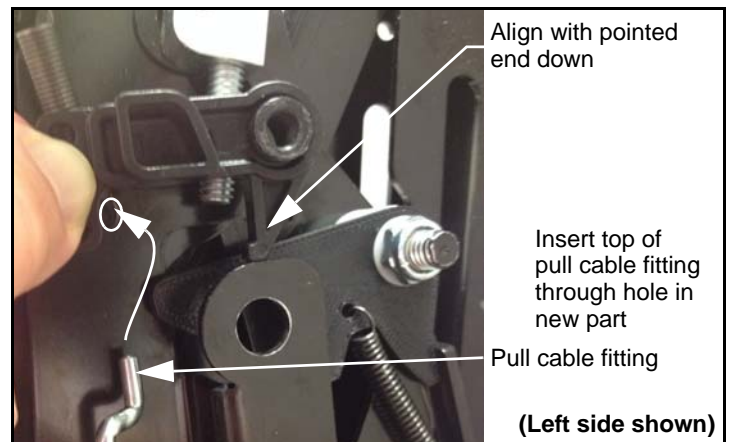


Figure 5

Continued . . .

Milestone AV Technologies, Inc., and its affiliated corporations and subsidiaries (collectively, "Milestone"), intend to make this manual accurate and complete. However, Milestone makes no claim that the information contained herein covers all details, conditions or variations, nor does it provide for every possible contingency in connection with the installation or use of this product. The information contained in this document is subject to change without notice or obligation of any kind. Milestone makes no representation of warranty, expressed or implied, regarding the information contained herein. Milestone assumes no responsibility for accuracy, completeness or sufficiency of the information contained in this document.

INSTALLATION INSTRUCTIONS

5. Reattach top spring. (See Figure 6)
6. Insert the plastic collar into fastener hole. (See Figure 6)

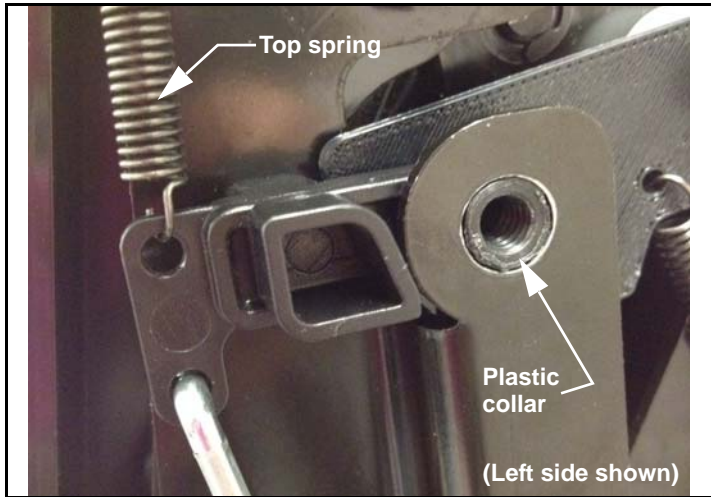


Figure 6

7. Replace button head screw removed in Step 2.

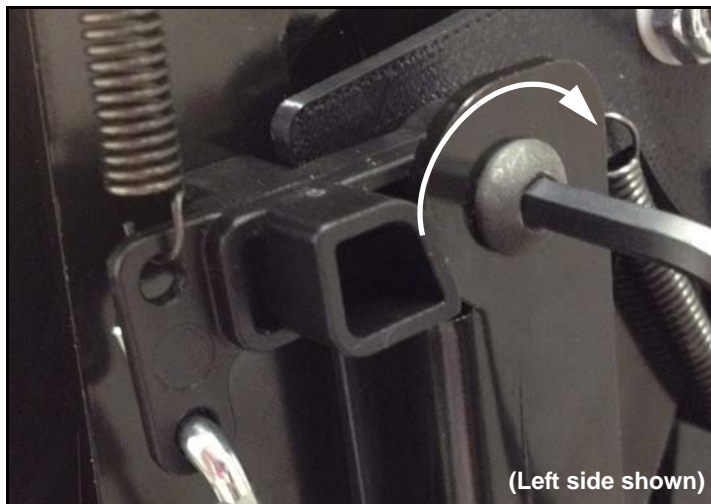


Figure 7

IMPORTANT ! : Do not tighten the button head screw too tight. If it is tightened too much, it will not allow the mount to close.

8. Verify pull cable and new part are functioning/latching correctly by closing, opening and closing the mount again.

