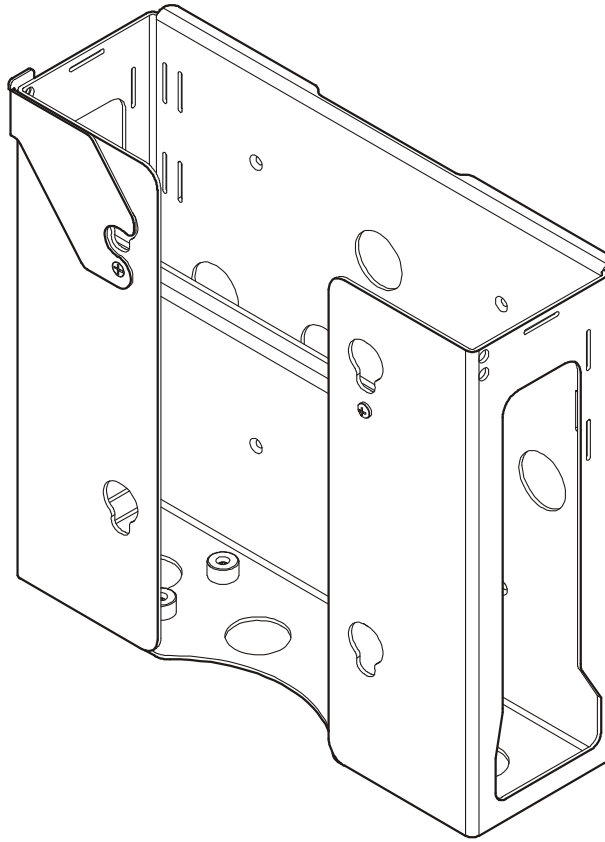


INSTALLATION INSTRUCTIONS



CPU Adapter

DISCLAIMER

Milestone AV Technologies and its affiliated corporations and subsidiaries (collectively "Milestone"), intend to make this manual accurate and complete. However, Milestone makes no claim that the information contained herein covers all details, conditions or variations, nor does it provide for every possible contingency in connection with the installation or use of this product. The information contained in this document is subject to change without notice or obligation of any kind. Milestone makes no representation of warranty, expressed or implied, regarding the information contained herein. Milestone assumes no responsibility for accuracy, completeness or sufficiency of the information contained in this document.

Chief® is a registered trademark of Milestone AV Technologies. All rights reserved.

! IMPORTANT WARNINGS AND CAUTIONS!

! WARNING: A WARNING alerts you to the possibility of serious injury or death if you do not follow the instructions.

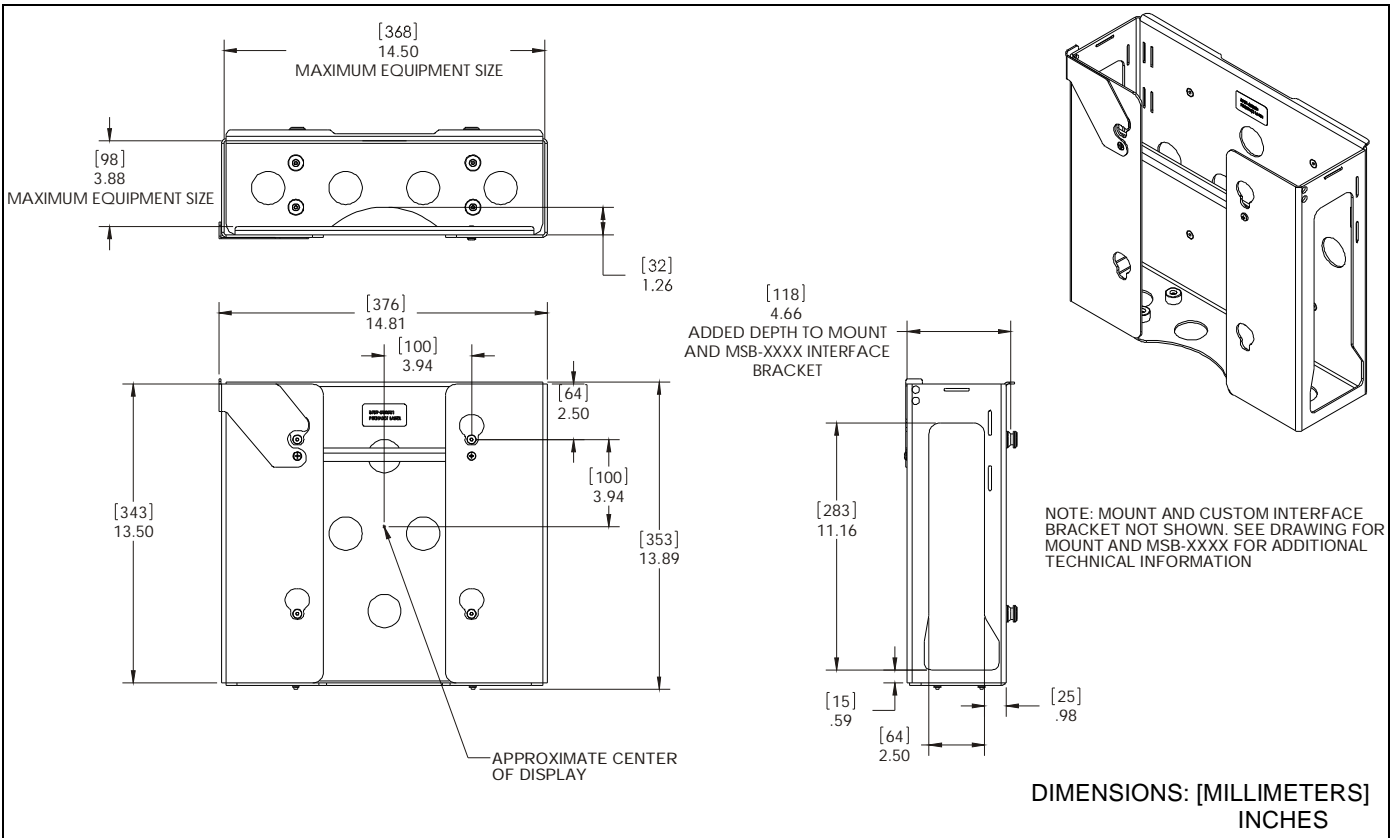
! CAUTION: A CAUTION alerts you to the possibility of damage or destruction of equipment if you do not follow the corresponding instructions.

! WARNING: Failure to read, thoroughly understand, and follow all instructions can result in serious personal injury, damage to equipment, or voiding of factory warranty! It is the installer's responsibility to make sure all components are properly assembled and installed using the instructions provided.



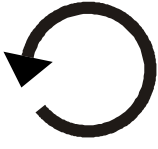

! WARNING: Failure to provide adequate structural strength for this component can result in serious personal injury or damage to equipment! It is the installer's responsibility to make sure the structure to which this component is attached can support five times the combined weight of all equipment. Reinforce the structure as required before installing the component. The wall to which the mount is being attached may have a maximum drywall thickness of 5/8" (1.6cm).

! WARNING: Exceeding the weight capacity can result in serious personal injury or damage to equipment! It is the installer's responsibility to make sure the combined weight of all components (including CPU) attached to the MSP-MAC251W does not exceed 100 lbs (45.4 kg). [NOTE: Weight of CPU only not to exceed 45 lbs (20.4 kg)]. Use with products heavier than the maximum weight indicated may result in collapse of the mount and its accessories causing possible injury.

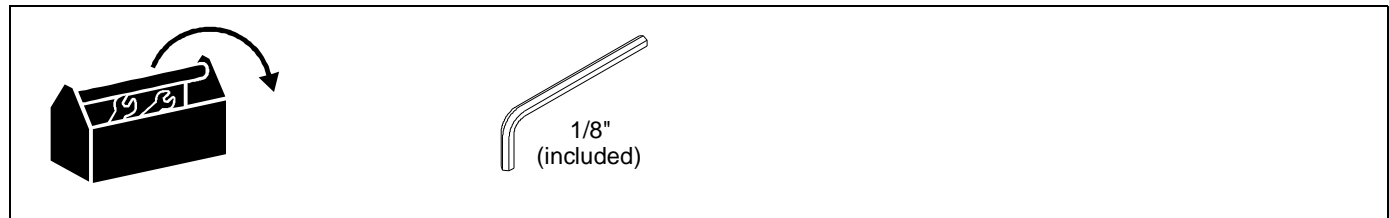
DIMENSIONS



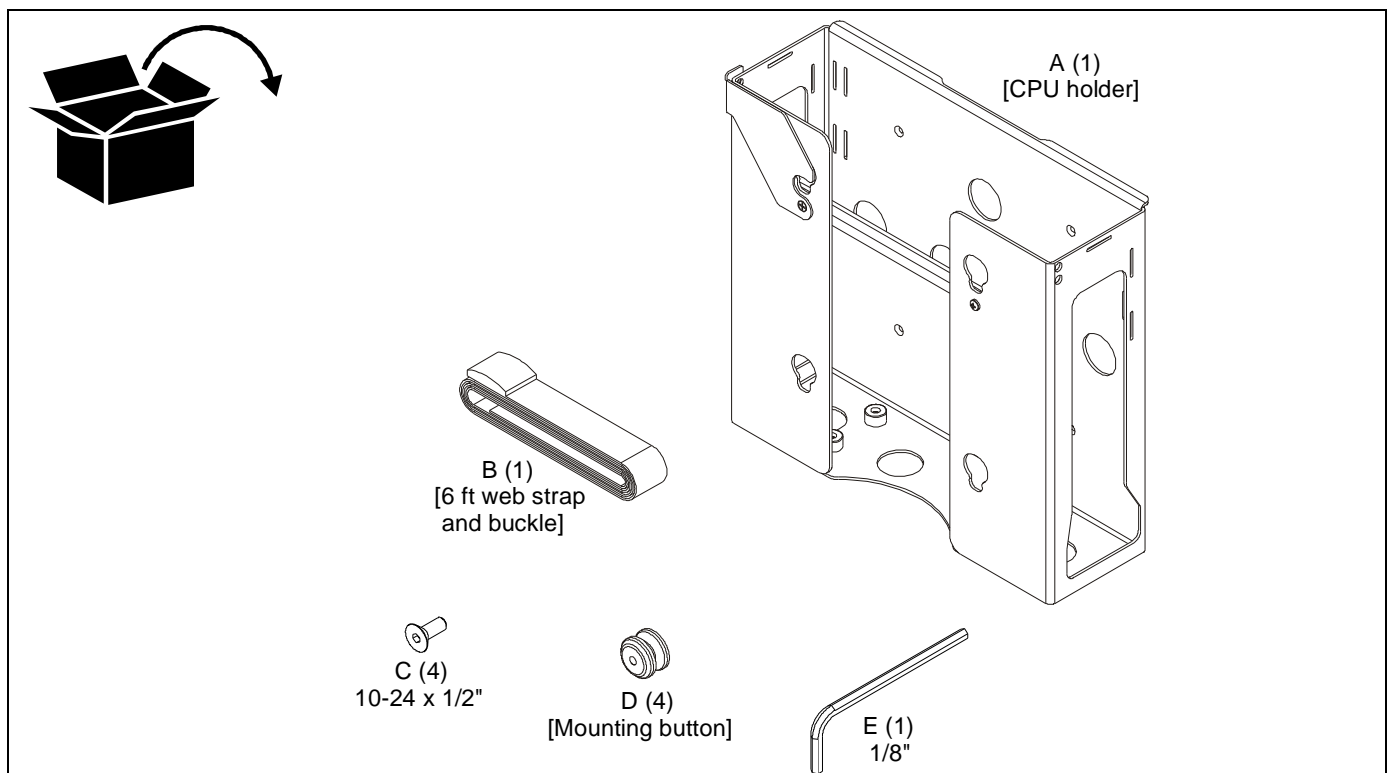
LEGEND

	Tighten Fastener		Hex-Head Wrench
	Apretar elemento de fijación		Llave de cabeza hexagonal
	Befestigungsteil festziehen		Sechskantschlüssel
	Apertar fixador		Chave de cabeça sextavada
	Serrare il fissaggio		Chiave esagonale
	Bevestiging vastdraaien		Zeskantsleutel
Serrez les fixations	Clé à tête hexagonale		
	Loosen Fastener		By Hand
	Aflojar elemento de fijación		A mano
	Befestigungsteil lösen		Von Hand
	Desapertar fixador		Com a mão
	Allentare il fissaggio		A mano
	Bevestiging losdraaien		Met de hand
Desserrez les fixations	À la main		

TOOLS REQUIRED FOR INSTALLATION



PARTS



ASSEMBLY

Attaching Mounting Buttons



WARNING: IMPROPER INSTALLATION CAN LEAD TO CPU HOLDER FALLING! Mounting buttons must be securely fastened to CPU holder.

1. Install four mounting buttons (D) to CPU holder (A) using four 10-24 x 1/2" flat head cap screws (C), and 1/8" hex wrench (E). (See Figure 1)

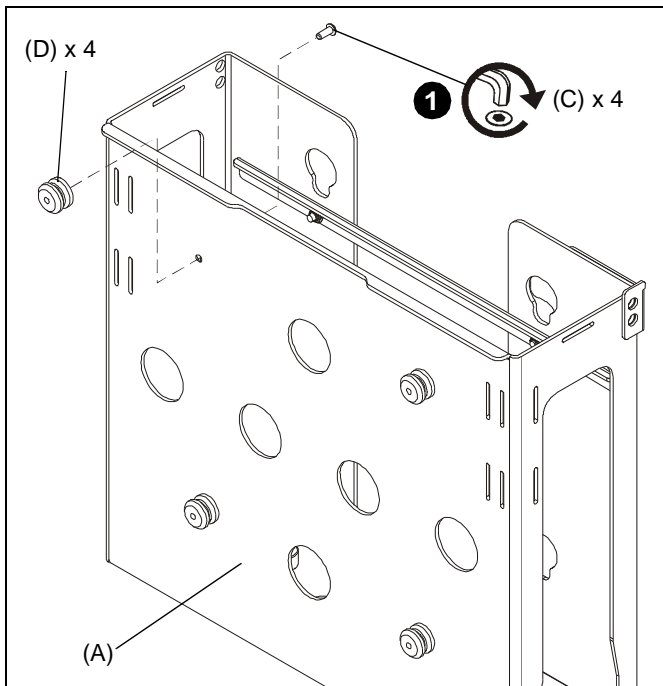


Figure 1

Placing CPU in CPU Holder

1. Place CPU into CPU holder (A) ensuring connections on CPU are oriented with cable access opening in sides of CPU holder. (See Figure 2)

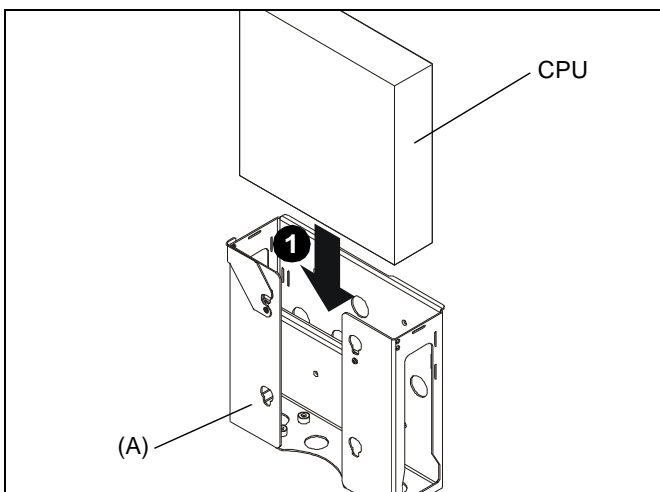


Figure 2

Assemble Mounting Strap to CPU Holder

1. Install web strap (B) and secure. (See Figure 5)

NOTE: Strap can also be installed so that it wraps around sides of CPU holder.

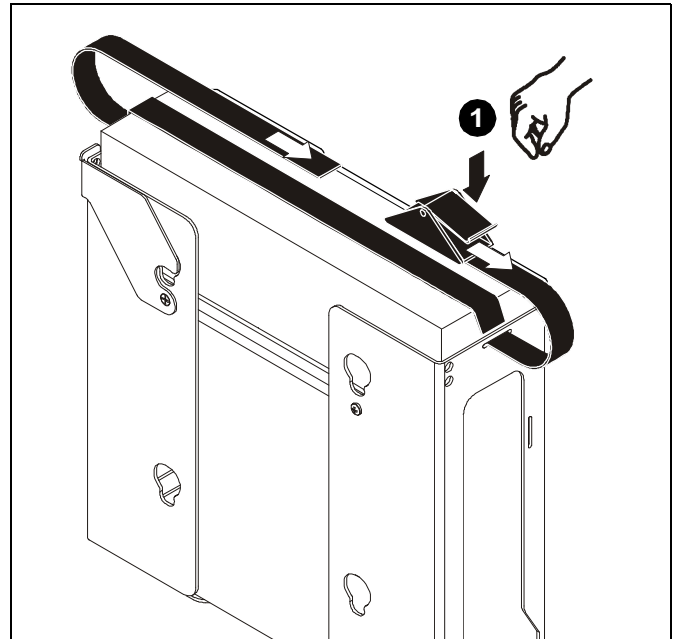


Figure 3

INSTALLATION

Install CPU Holder with CPU to Mount



WARNING: COMBINED WEIGHT OF CPU AND CPU HOLDER MAY WEIGH IN EXCESS OF 40 LBS. ALWAYS use two people when lifting and follow proper lifting techniques when installing!

Install the CPU holder, with CPU, onto mount and route wires and cables following the instructions provided with the mount.



WARNING: IMPROPER INSTALLATION CAN LEAD TO CPU HOLDER FALLING! Make certain mounting buttons on CPU holder are fully engaged in teardrop holes in mount and latching flag on mount is fully closed before installing the display.

Install Display



WARNING: DISPLAY MAY WEIGH IN EXCESS OF 40 LBS. ALWAYS use two people when lifting and follow proper lifting techniques when installing!

IMPORTANT ! : The following procedure assumes that the proper interface bracket for display being mounted has already been installed on display. If no interface bracket is present on display, install bracket to display using instructions included with interface bracket before proceeding.

1. Make sure latching flag is in the UNLATCHED position (See Figure 4).

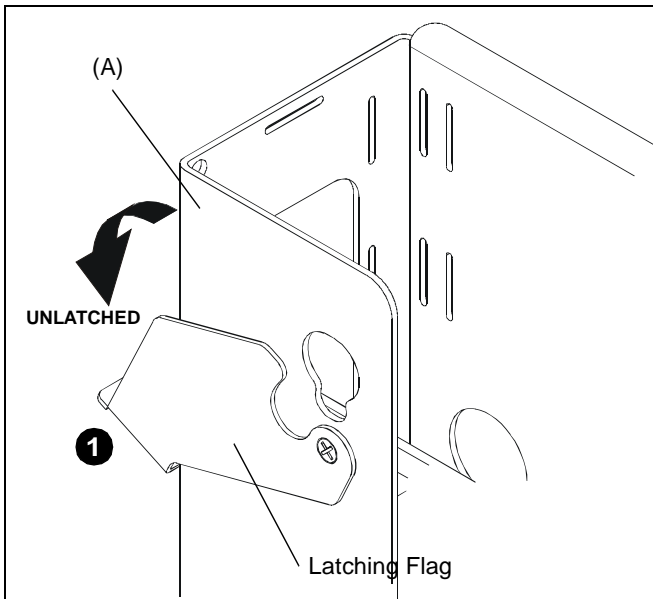


Figure 4

2. While supporting each side of display, align four mounting buttons on display or interface bracket with four teardrop slots in CPU holder (See Figure 5).
3. Lower display firmly into place .

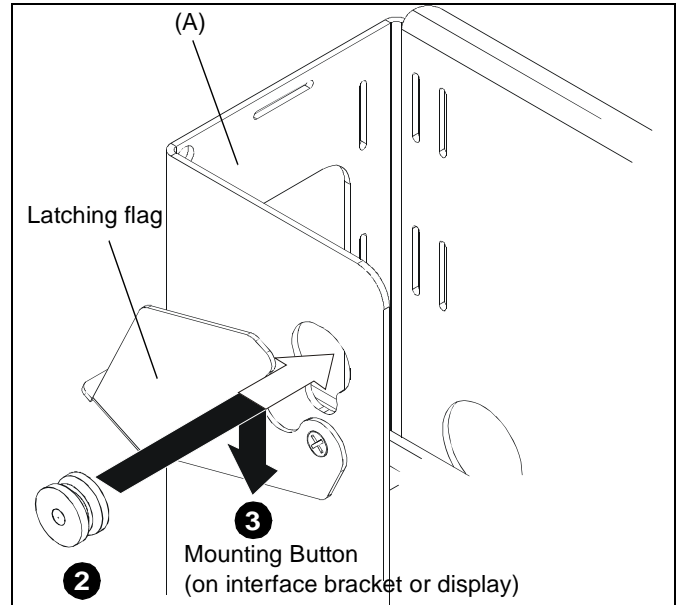


Figure 5



CAUTION: Latching flag must fully engage mounting button.

4. Secure display by rotating latching flag to the LATCHED position (See Figure 6). If latching flag does not fully engage, ensure mounting buttons are fully seated in teardrop slots.

NOTE: A hole is provided in the latching flag and CPU holder to accommodate insertion of a padlock or similar locking device.

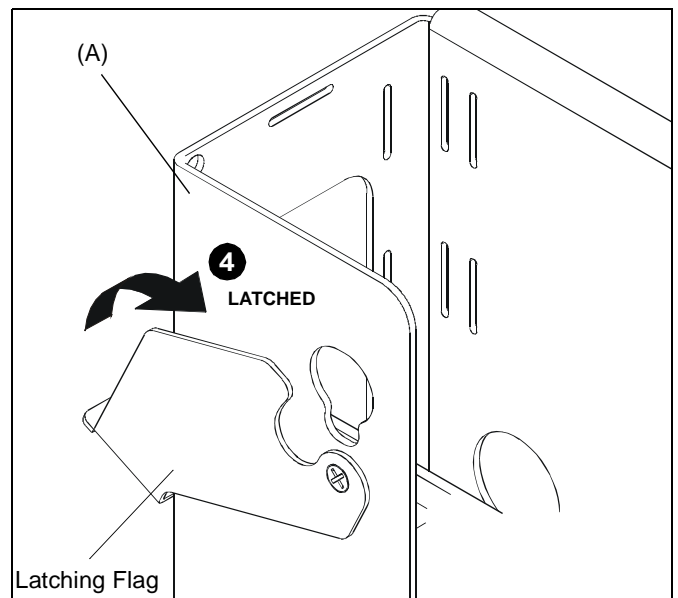


Figure 6

5. Connect cables to display.



Our Mounts. **Your Vision.**

Chief Manufacturing, a products division
of Milestone AV Technologies

8804-002022 Rev00
©2010 Milestone AV Technologies, a
Duchossois Group Company
www.chiefmfg.com
09/10

USA/International	A 8401 Eagle Creek Parkway, Savage, MN 55378 P 800.582.6480 / 952.894.6280 F 877.894.6918 / 952.894.6918
Europe	A Fellenoord 130 5611 ZB EINDHOVEN, The Netherlands P +31 (0)40 2668620 F +31 (0)40 2668615
Asia Pacific	A Office No. 1 on 12/F, Shatin Galleria 18-24 Shan Mei Street Fotan, Shatin, Hong Kong P 852 2145 4099 F 852 2145 4477

