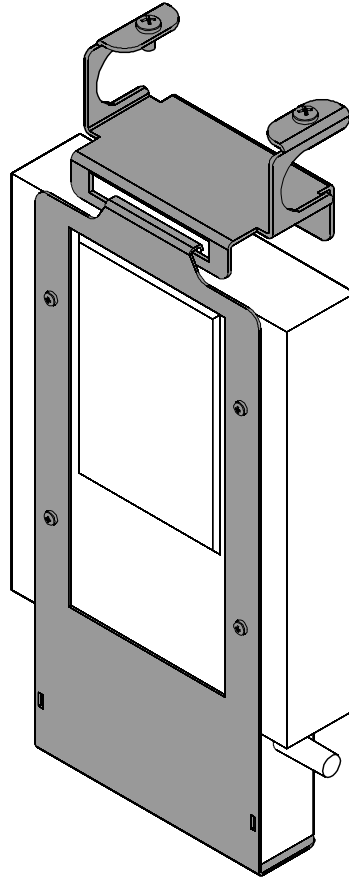

INSTALLATION INSTRUCTIONS



Rail Mount CPU Holder

DISCLAIMER

Milestone AV Technologies and its affiliated corporations and subsidiaries (collectively "Milestone"), intend to make this manual accurate and complete. However, Milestone makes no claim that the information contained herein covers all details, conditions or variations, nor does it provide for every possible contingency in connection with the installation or use of this product. The information contained in this document is subject to change without notice or obligation of any kind. Milestone makes no representation of warranty, expressed or implied, regarding the information contained herein. Milestone assumes no responsibility for accuracy, completeness or sufficiency of the information contained in this document.

Chief® is a registered trademark of Milestone AV Technologies. All rights reserved.

! IMPORTANT WARNINGS AND CAUTIONS!

! WARNING: A WARNING alerts you to the possibility of serious injury or death if you do not follow the instructions.

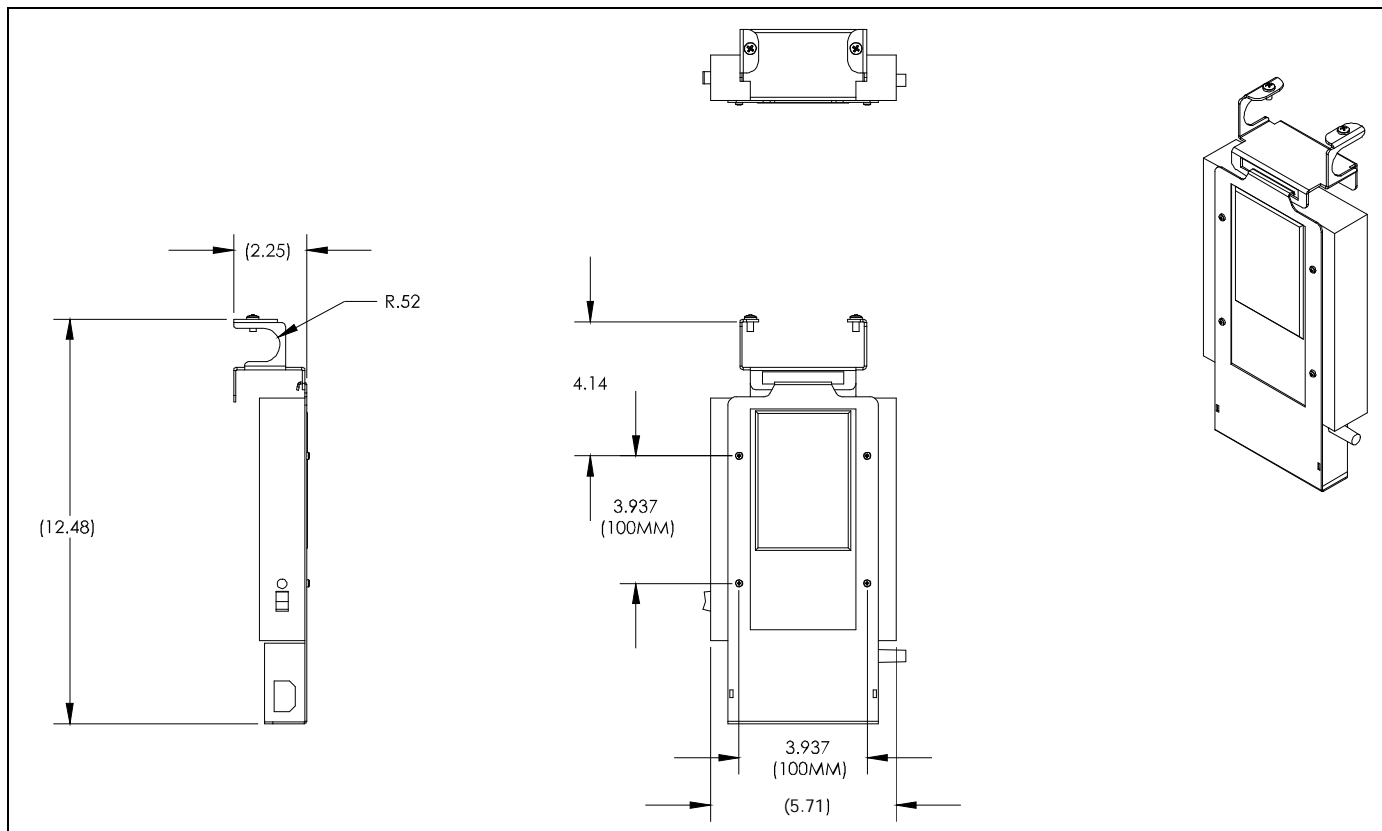
! CAUTION: A CAUTION alerts you to the possibility of damage or destruction of equipment if you do not follow the corresponding instructions.

! WARNING: Failure to read, thoroughly understand, and follow all instructions can result in serious personal injury, damage to equipment, or voiding of factory warranty! It is the installer's responsibility to make sure all components are properly assembled and installed using the instructions provided.

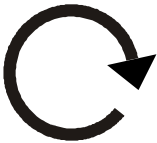

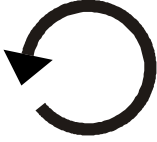

! WARNING: Failure to provide adequate structural strength for this component can result in serious personal injury or damage to equipment! It is the installer's responsibility to make sure the structure to which this component is attached can support five times the combined weight of all equipment. Reinforce the structure as required before installing the component. The wall to which the mount is being attached may have a maximum drywall thickness of 5/8" (1.6cm).

! WARNING: Exceeding the weight capacity can result in serious personal injury or damage to equipment! It is the installer's responsibility to make sure the combined weight of all components located on the MSP-MC1 does not exceed 5 lbs (2.27 kg). Use with products heavier than the maximum weight indicated may result in collapse of the mount and its accessories causing possible injury.

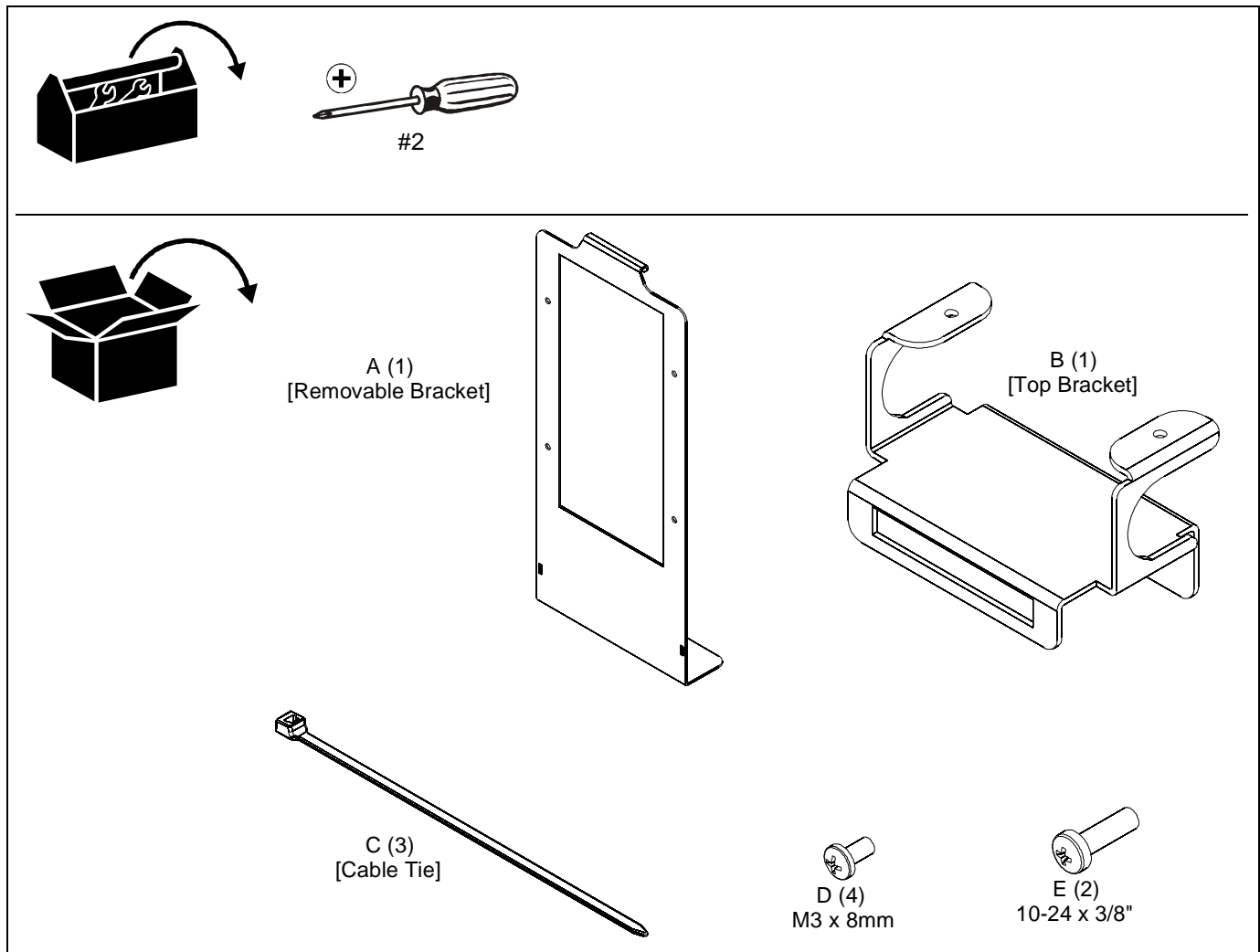
DIMENSIONS



LEGEND

	<p>Tighten Fastener Apretar elemento de fijación Befestigungsteil festziehen Apertar fixador Serrare il fissaggio Bevestiging vastdraaien Serrez les fixations</p>		<p>Phillips Screwdriver Destornillador Phillips Kreuzschlitzschraubendreher Chave de fendas Phillips Cacciavite a stella Kruijkopschroevendraaier Tournevis à pointe cruciforme</p>
	<p>Loosen Fastener Aflojar elemento de fijación Befestigungsteil lösen Desapertar fixador Allentare il fissaggio Bevestiging losdraaien Desserrez les fixations</p>		<p>Adjust Ajustar Einstellen Ajustar Regolare Afstellen Ajuster</p>

TOOLS FOR INSTALLATION AND PARTS



INSTALLATION

NOTE: The installation of the MSP-MC1 assumes that a Fusion rail mount has already been installed following the installation instructions included with the mount.

1. Attach the top bracket (B) to rail of mount. (See Figure 1)

NOTE: The MSP-MC1 may be attached to the top rail of a landscape rail mount where the rail has been moved to one side, **OR** may be attached to the center of the portrait mount lower rail. (See Figure 1)

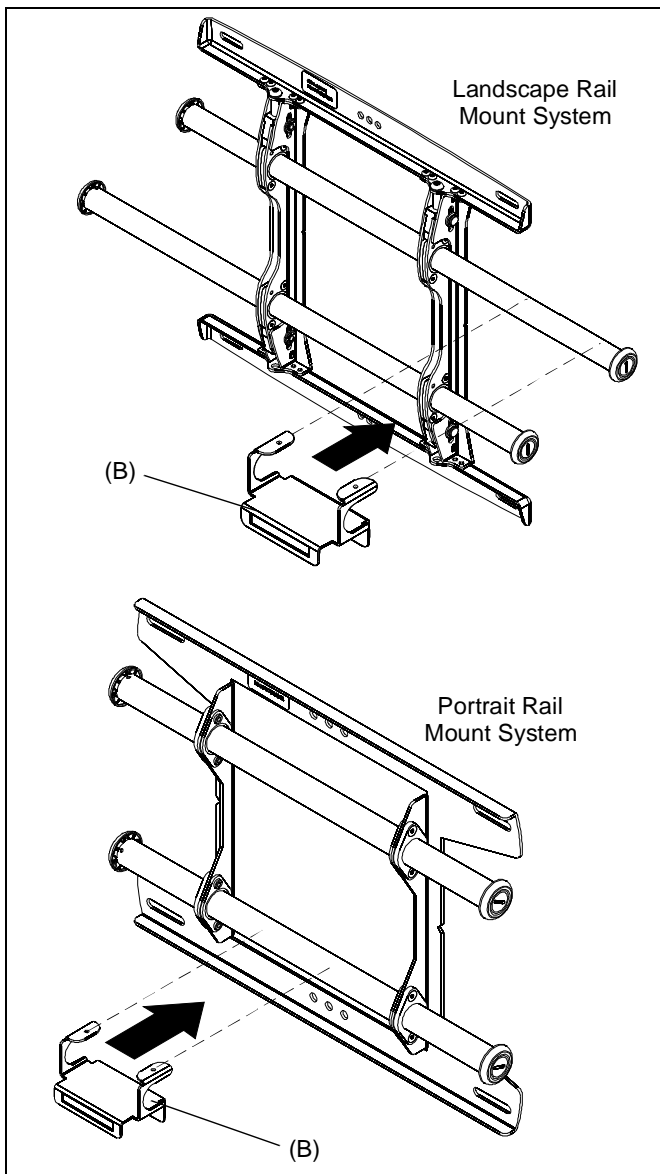


Figure 1

2. Add and loosely tighten two 10-24 x 3/8" Phillips head screws (E) through the top bracket (B) to the rail mount. (See Figure 2)

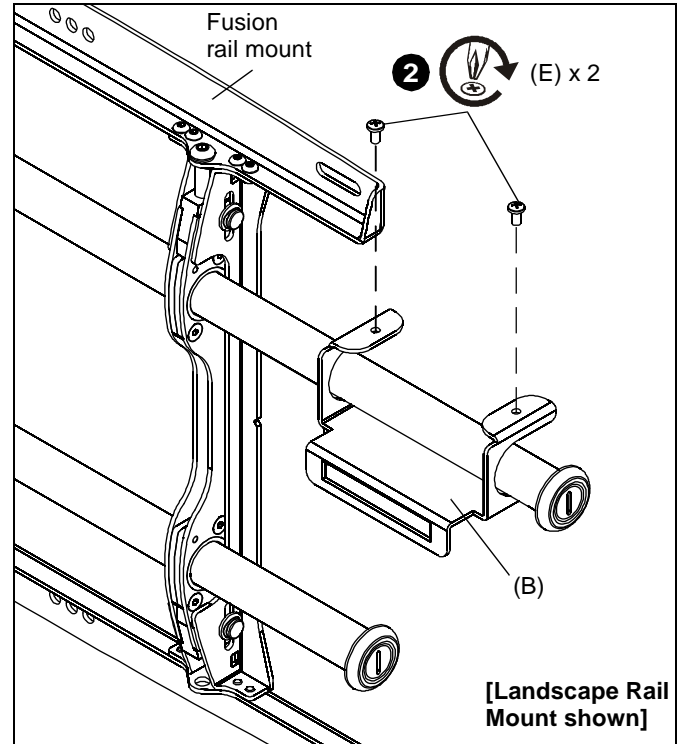


Figure 2

3. Attach removable bracket (A) to CPU using four M3 x 8mm Phillips head screws (D). (See Figure 3)

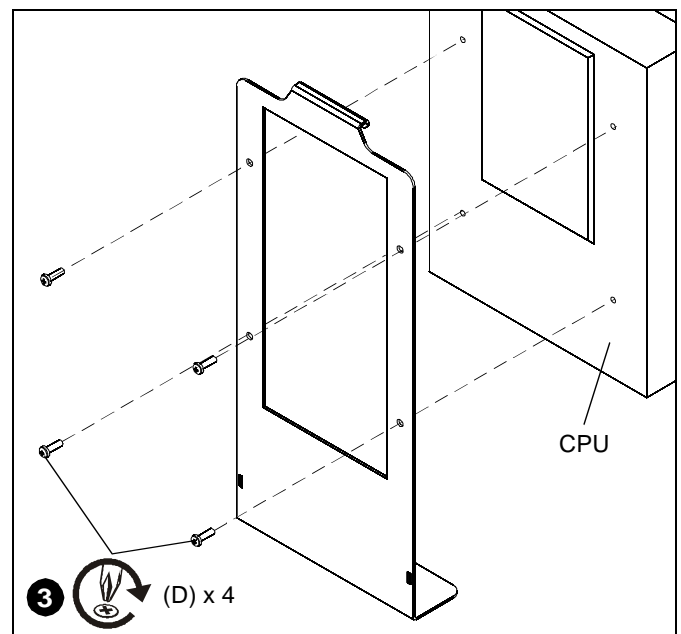


Figure 3

4. Use cable ties (C) to secure CPU power pack to removable bracket (A). (See Figure 4)

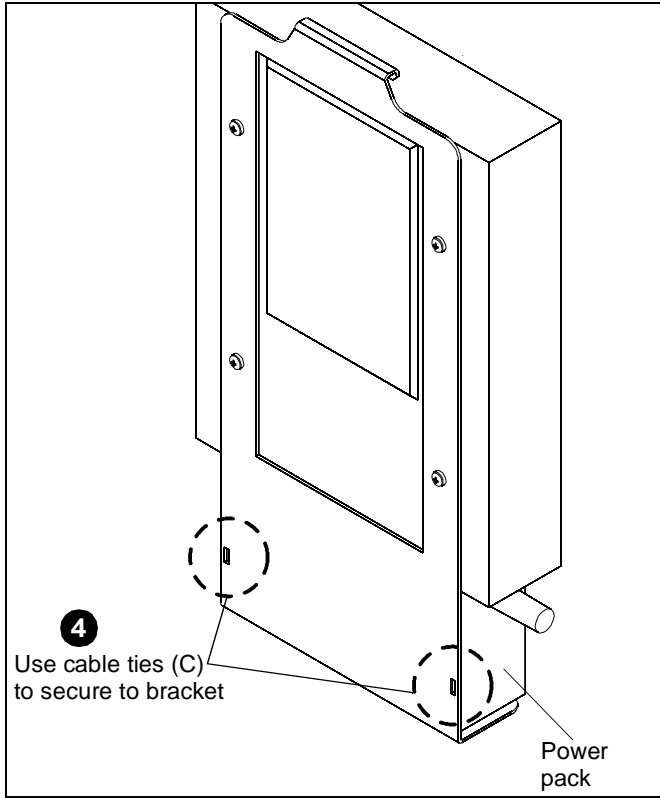


Figure 4

5. Hang removable bracket (A) with attached CPU on the top bracket (B). (See Figure 5)

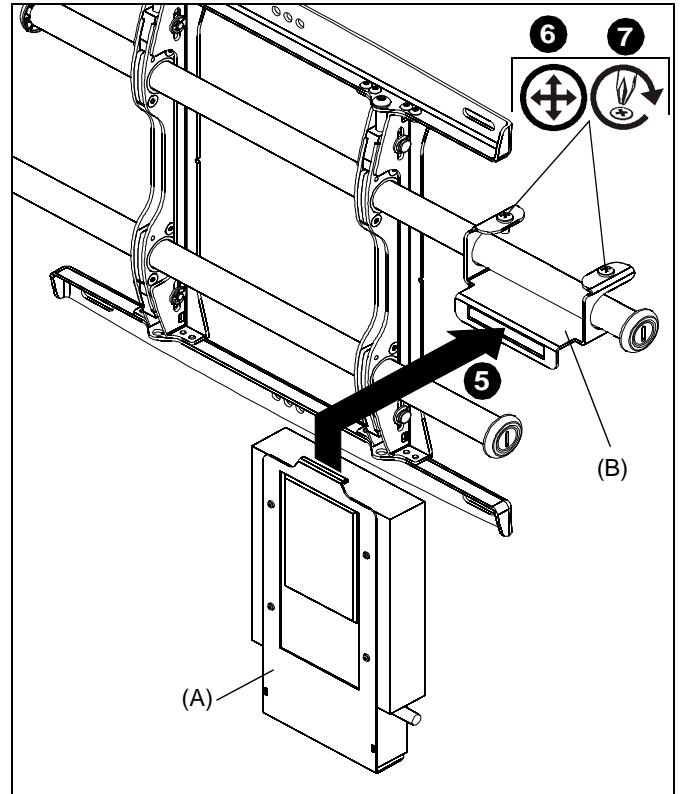


Figure 5

6. Adjust placement of MSP-MC1 left or right.
7. Tighten two Phillips screws against rail mount.



Our Mounts. **Your Vision.**

Chief Manufacturing, a products division
of Milestone AV Technologies

8809-002002 Rev00
©2010 Milestone AV Technologies, a
Duchossois Group Company
www.chiefmfg.com
01/10

USA/International	A 8401 Eagle Creek Parkway, Savage, MN 55378 P 800.582.6480 / 952.894.6280 F 877.894.6918 / 952.894.6918
Europe	A Fellenoord 130 5611 ZB EINDHOVEN, The Netherlands P +31 (0)40 2668620 F +31 (0)40 2668615
Asia Pacific	A Office No. 1 on 12/F, Shatin Galleria 18-24 Shan Mei Street Fotan, Shatin, Hong Kong P 852 2145 4099 F 852 2145 4477

