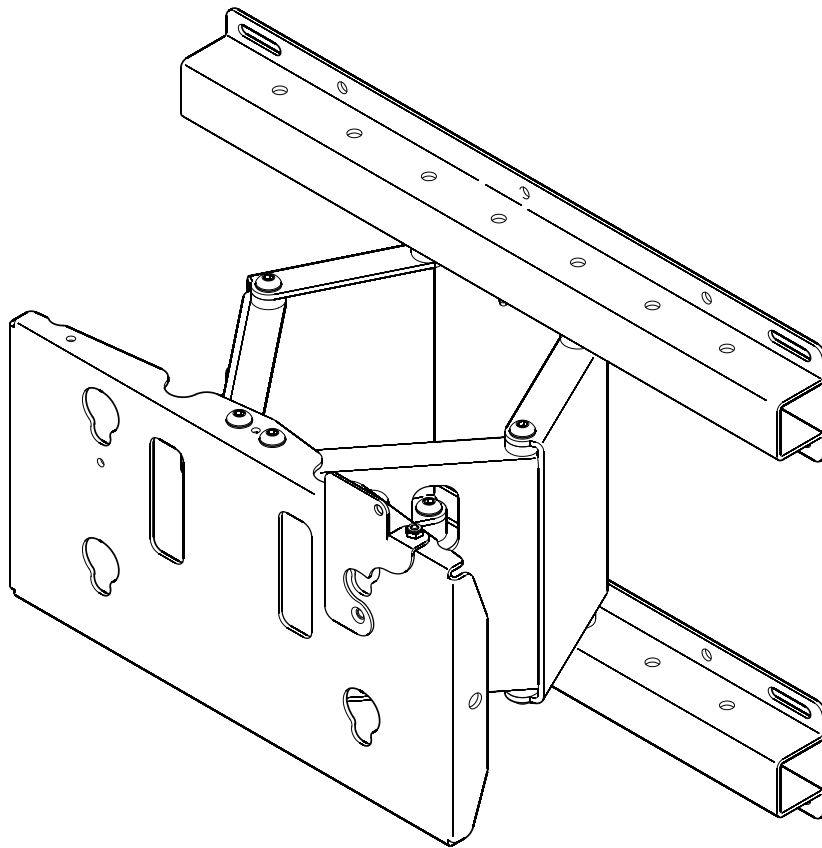

INSTALLATION INSTRUCTIONS



Medium Flat Panel Wall Mount

DISCLAIMER

CSAV, Inc., and its affiliated corporations and subsidiaries (collectively, "CSAV"), intend to make this manual accurate and complete. However, CSAV makes no claim that the information contained herein covers all details, conditions or variations, nor does it provide for every possible contingency in connection with the installation or use of this product. The information contained in this document is subject to change without notice or obligation of any kind. CSAV makes no representation of warranty, expressed or implied, regarding the information contained herein. CSAV assumes no responsibility for accuracy, completeness or sufficiency of the information contained in this document.



WARNING: Failure to read, thoroughly understand, and follow all instructions can result in serious personal injury, damage to equipment, or voiding of factory warranty! It is the installer's responsibility to make sure all components are properly assembled and installed using the instructions provided.



WARNING: Failure to provide adequate structural strength for this component can result in serious personal injury or damage to equipment! It is the installer's responsibility to make sure the structure to which this component is attached can support five times the combined weight of all equipment. Reinforce the structure as required before installing the component.



WARNING: Exceeding the weight capacity can result in serious personal injury or damage to equipment! It is the installer's responsibility to make sure the combined weight of all components does not exceed 50lbs (22.6kg).

! IMPORTANT WARNINGS AND CAUTIONS!

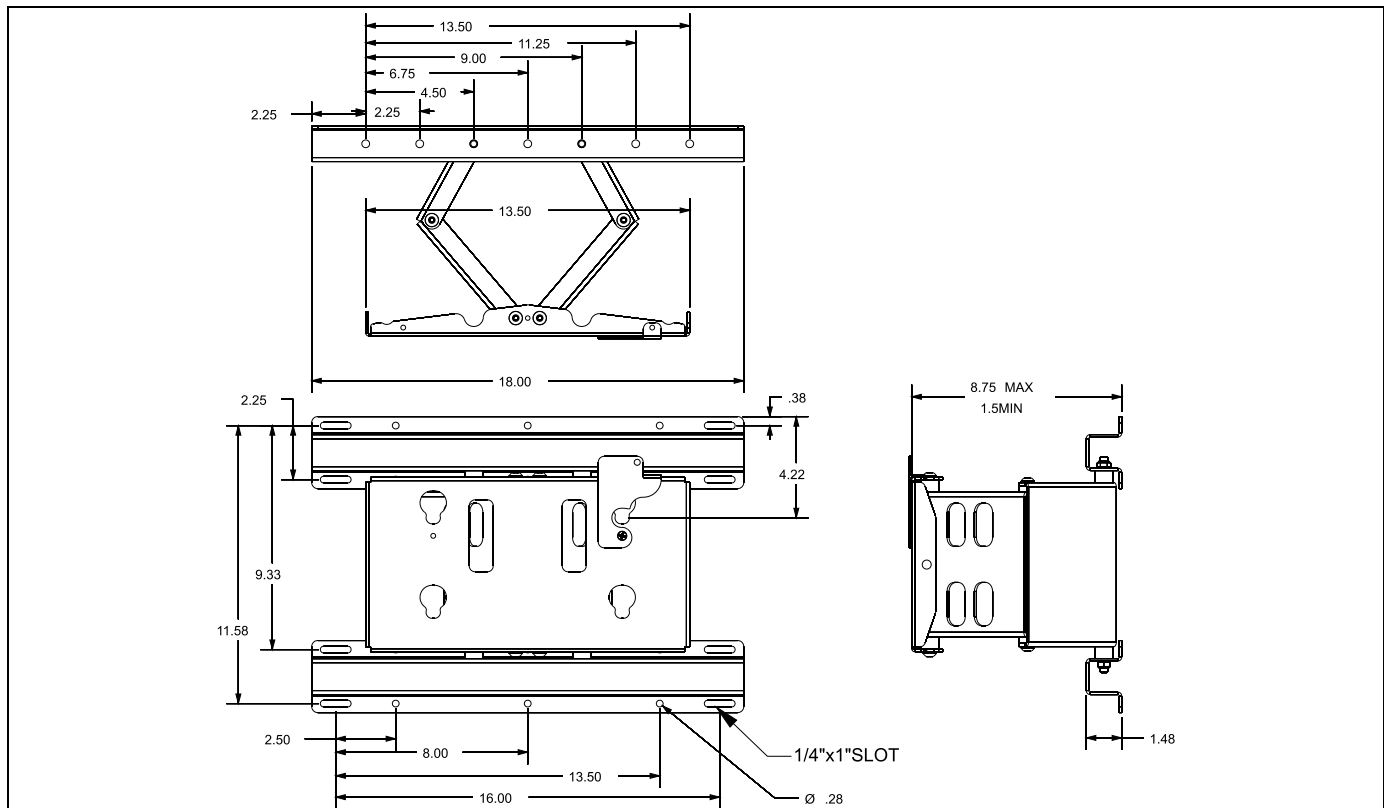


WARNING: A WARNING alerts you to the possibility of serious injury or death if you do not follow the instructions.



CAUTION: A CAUTION alerts you to the possibility of damage or destruction of equipment if you do not follow the corresponding instructions.

DIMENSIONS



INTRODUCTION

TOOLS REQUIRED FOR INSTALLATION

- Phillips screwdriver
- Drill and bit set

INSPECT MOUNT BEFORE ASSEMBLY

Carefully inspect mount assembly for shipping damage (see Figure 1). If damage is apparent, call your carrier claims agent and do not continue with installation until the carrier has reviewed the damage.

NOTE: Thoroughly read and understand all assembly instructions before starting installation.

Abbreviations used throughout this manual are identified in the table below.

abbr.	Description
PFMS	Phillips Flat Head Machine Screw
PPMS	Phillips Pan Head Machine Screw
FW	Flat Washer
PPSM	Phillips Pan Head Sheet Metal Screw

Table 1: PARTS

ITEM	DESCRIPTION	QTY.
10*	Mount Assembly, MGMT1	1
20	WASHER, Flat, 1/4"	4
30	WRENCH, Security, 5/32"	1
40	WRENCH, Hex, 3/16"	1
50	PAD, Felt, 1"	2
60	CLIP, Cable Management	2
70	PIN, Locking	1
80	SCREW, Button Head Security, #8-32 x 3/8"	1
90	NUY, Nylock, #8-32	1
100	PLATE, Holding	4
110	SCREW, Phillips pan head machine, M6 x 40mm	4
120	BUTTON, Display Mounting	4
130	SPACER, Nylon, 1/4"	4
140	SCREW, Phillips pan head machine, M4x25mm	4

* Included but not shown



WARNING: USING IMPROPER HARDWARE CAN LEAD TO MOUNT AND/OR DISPLAY FALLING. Use only hardware provided with mount. DO NOT substitute!

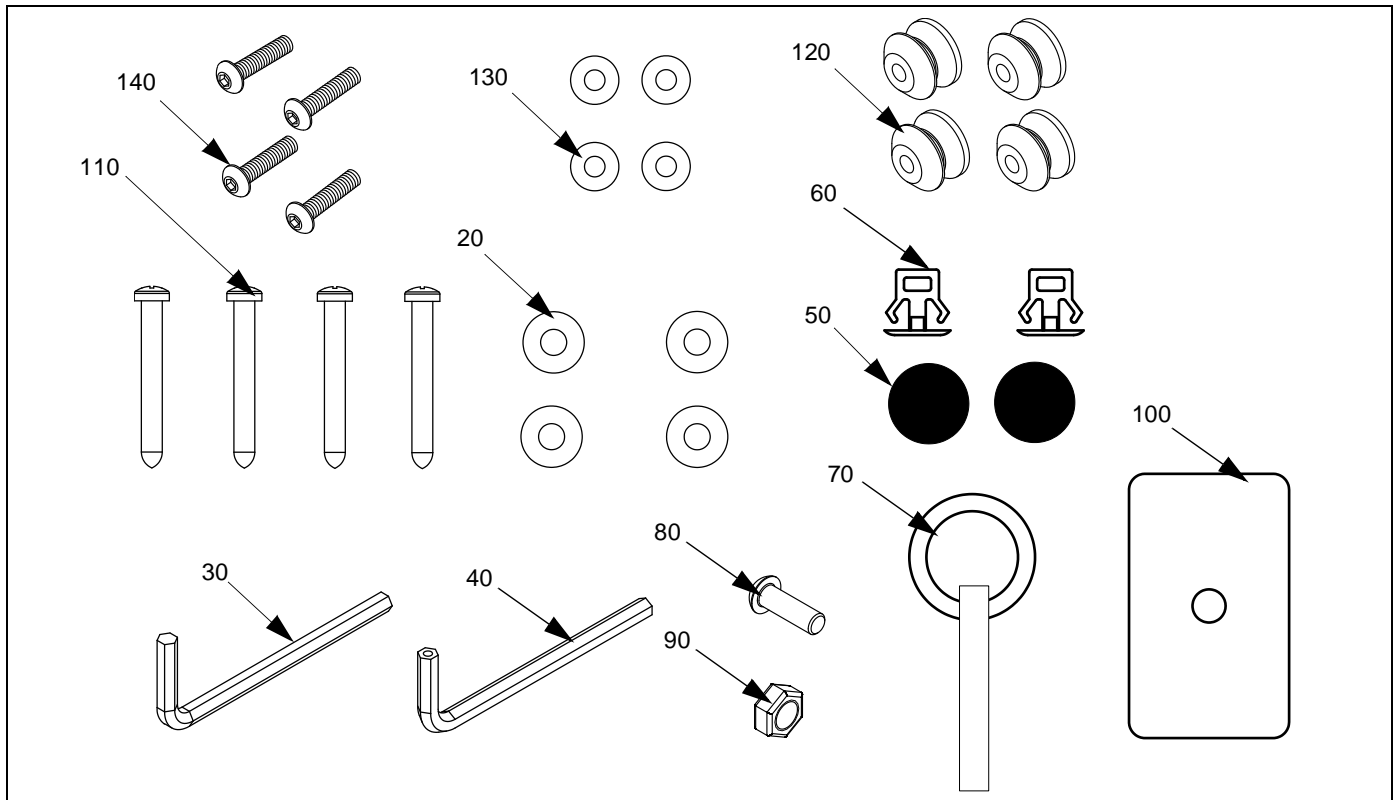


Figure 1: Parts

MOUNT ASSEMBLY

The only assembly required on the MGMT1 is attaching a cable management clip to each side of the mount face plate.

To attach the cable management clip:

1. Pull mount face plate outward until access to rear of face plate can be achieved.
2. Install two cable management clips (60) into each side of mount faceplate. (See Figure 2)

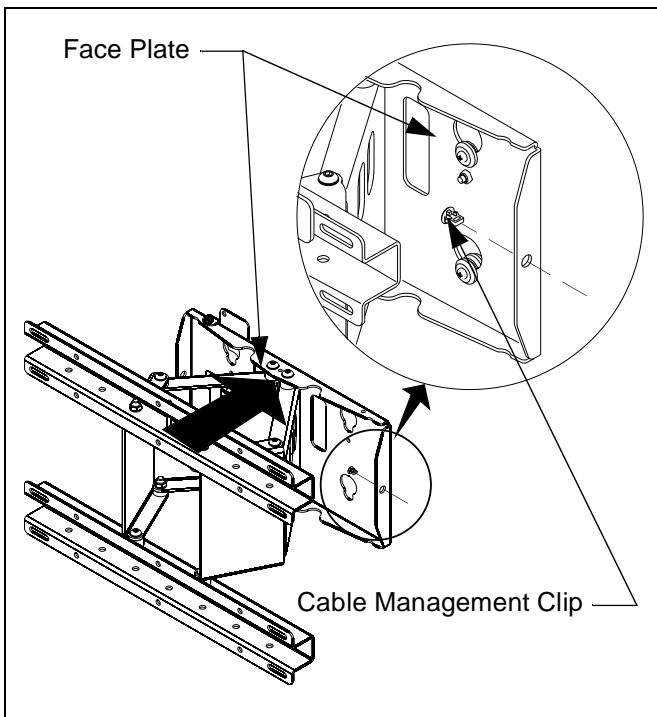


Figure 2: Install Cable Management Clips

MOUNT INSTALLATION



WARNING: The installer is responsible for verifying that the structure to which the mount is anchored will safely support five times the combined load of the mount and all attached components.

To install mount:

1. Identify appropriate mounting location.
2. Place mount assembly against wall, level mount, and mark pilot hole locations (See Figure 3).
3. Drill four 1/4" pilot holes, at marked locations (See Figure 3).
4. Place mount assembly (10) against wall and align mounting holes in mount assembly (10) with pilot holes (See Figure 4).
5. Insert four M6 x 40mm Phillips pan head screws (110) with four 1/4" flat washers (20) through mount assembly (10) and wall, and into four holding plates (110) located behind wall (See Figure 4).

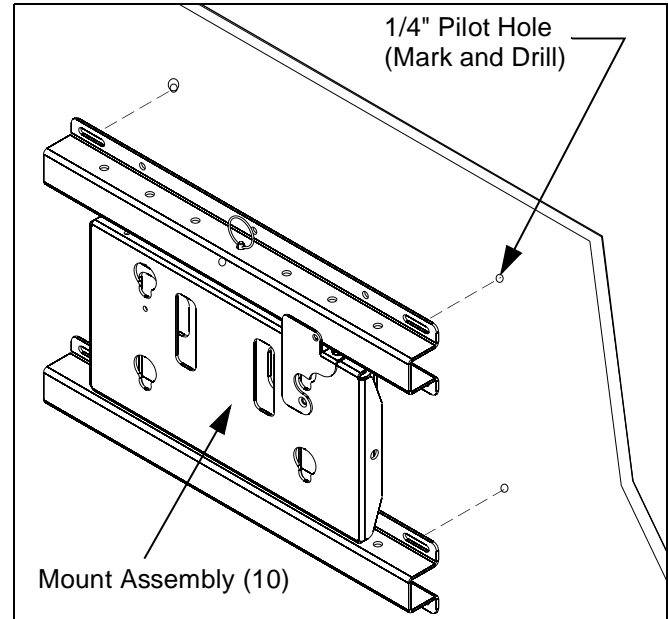


Figure 3: Locate, Mark and Drill Pilot Holes

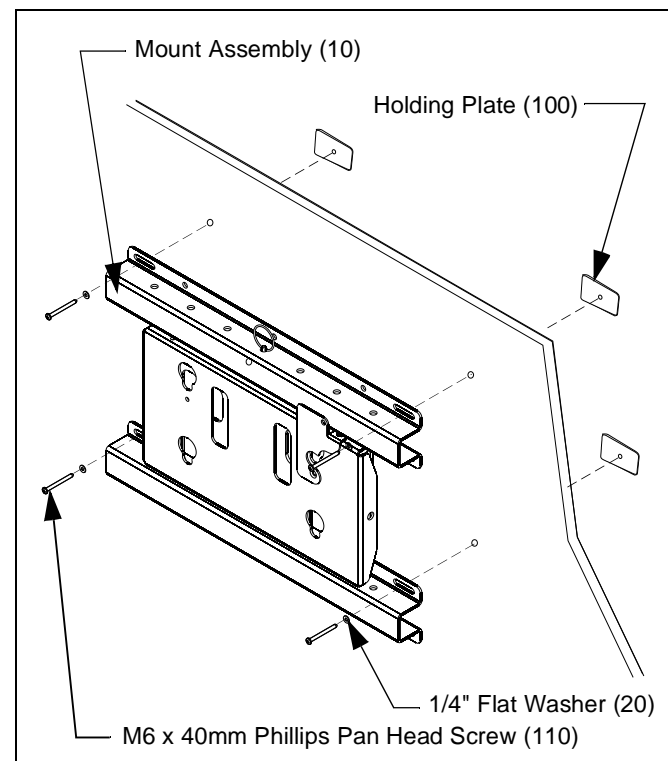


Figure 4: Secure Mount to Wall

INSTALL DISPLAY

1. Lay display face down on a clean dry surface.
2. Place four nylon spacers (130) over mounting holes in display back (See Figure 5).
3. Install four M4 x 25mm Phillips pan head screws (140) into four mounting buttons (120) (See Figure 5) .
4. Install four M4 x 25mm Phillips pan head screws (140) with four mounting buttons (120) through nylon spacers (130) and into mounting holes in display back.
5. Tighten all screws.

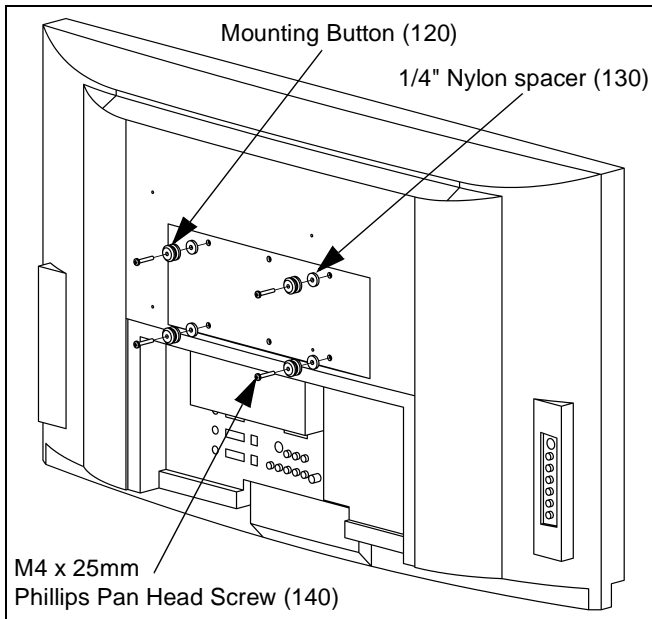


Figure 5: Install Mounting Buttons

6. Move mount faceplate to extended position by grasping faceplate and pulling outward away from wall. (See Figure 6)
7. Verify latching flag is open. (See Figure 7)



WARNING: Keep hands and fingers away from all pinch points when moving the mount from retracted to extended position.

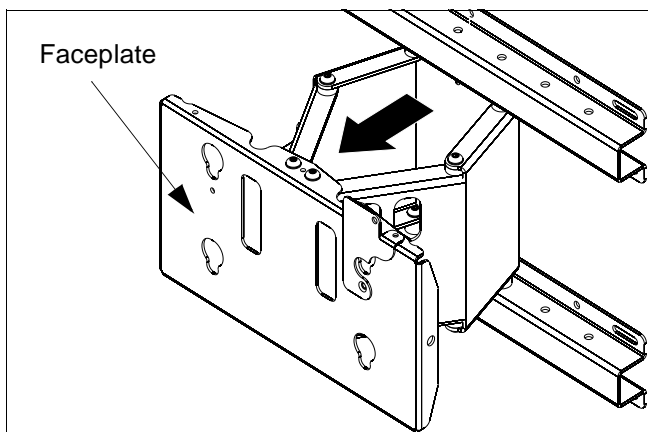


Figure 6: Extend Mount

8. Align mounting buttons on display with teardrop mounting holes in mount faceplate (See Figure 7).
9. Move display forward until all four mounting buttons are through teardrop mounting holes in faceplate, and recessed area of mounting buttons is aligned with the lower area of teardrop mounting holes in faceplate.
10. Lower display until the recessed area of all four mounting buttons is seated in the lower area of teardrop mounting holes in faceplate. (See Figure 7)
11. Move latching flag to the UP position to secure display to mount assembly.

NOTE: If desired and install optional security screw and locknut provided. The display can also be locked in the retracted position by installing the optional locking pin provided.(See Figure 7)

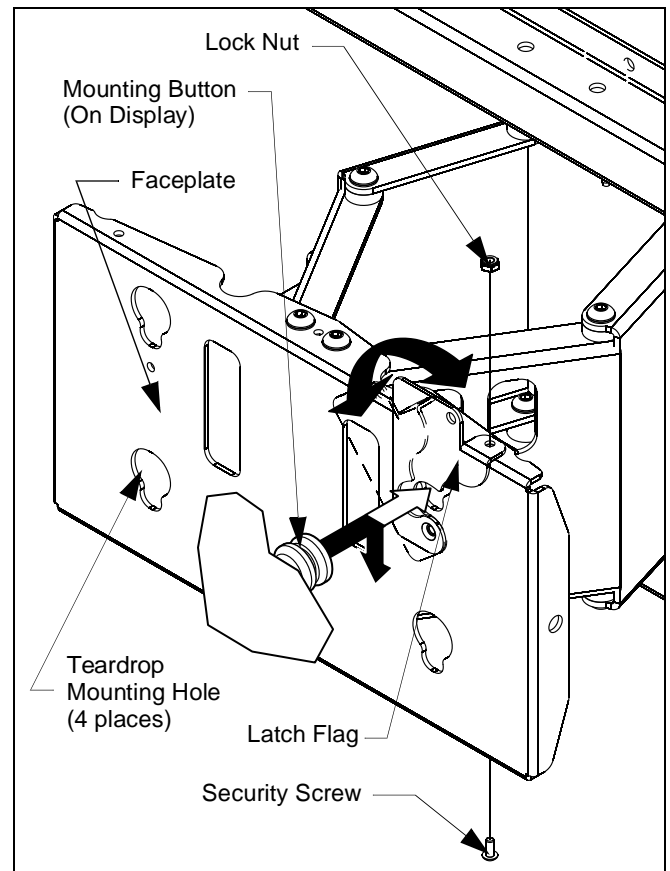


Figure 7: Install Display on Mount Assembly

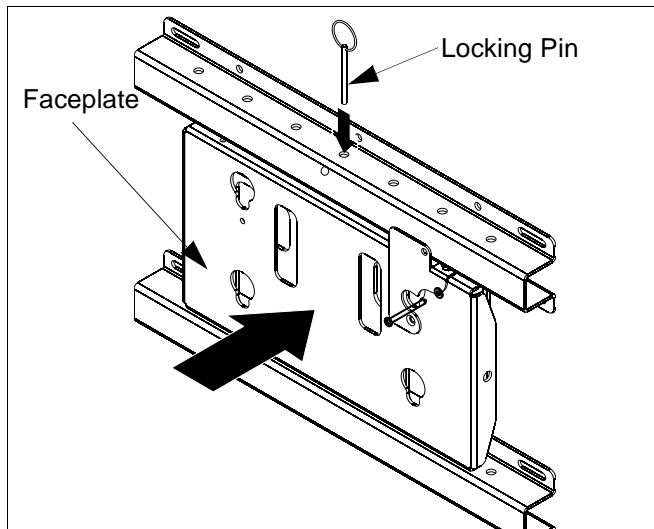


Figure 8: Install Optional Locking Pin

FELT PAD INSTALLATION

Felt pads (50) are provided to protect the display from contact with the mount.

To install protective felt pads:

1. Move display to fully extended position.



WARNING: Keep hands and fingers away from all pinch points when moving the mounted display from the retracted to the extended position.

2. Slowly rotate display to "fully right" position and identify the area of contact between the display and cabinet.
3. Remove adhesive back from felt pad (50) and place pad onto display at identified point of contact.
4. Slowly rotate display to "fully left" position and identify the area of contact between the display and cabinet.
5. Remove adhesive back from felt pad (50) and place pad onto display at identified point of contact.

ADJUSTMENTS

The mount is shipped with pre-set tension for swing arm movement. After extended use mount tension may need to be adjusted.

There are a total of 12 tension adjustment points on the mount (See Figure 9). Six on mount top, and six on mount bottom. Points 1 through 6 control mount extension and retraction tension. Points 1 and 6 control mount right left swing tension, and points 3 and 4 control display left right rotation tension.

NOTE: It is important that corresponding points are adjusted equally. **Example:** 1 and 6, 2 and 5, 3 and 4, and their corresponding adjustment points on mount bottom (See Figure 9).

To adjust mount tension:

1. Determine which aspect of mount movement needs to be adjusted and located appropriate adjustment screws.

2. Using the hex wrench provided, tighten or loosen adjustment screws until desired tension is achieved (See Figure 9).

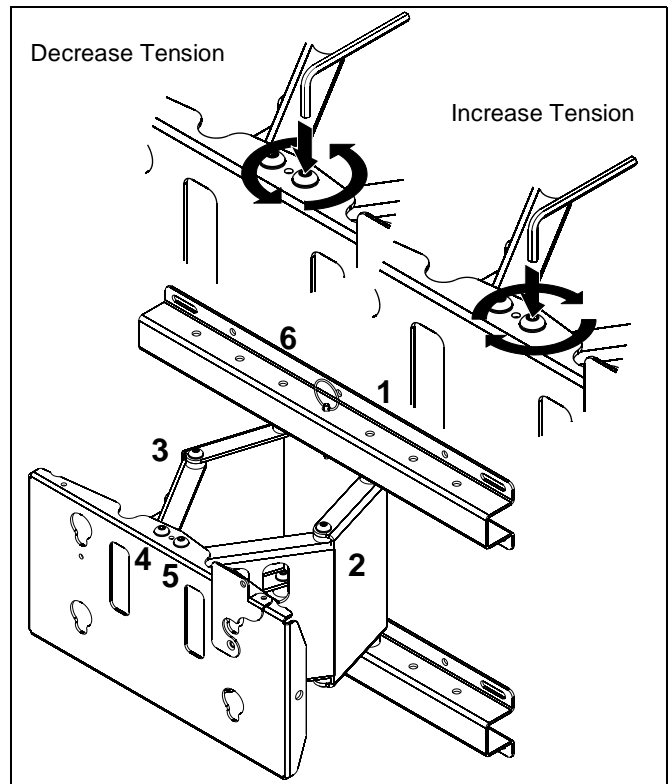


Figure 9: Tension Adjustment Points

CABLE MANAGEMENT

Cable management clips, for use with "zip-ties" or similar devices, are provided for cable routing.

To use cable management clips:

1. Zip tie cable to cable clip (60). (See Figure 10)
2. Route cables down and under mount to display.

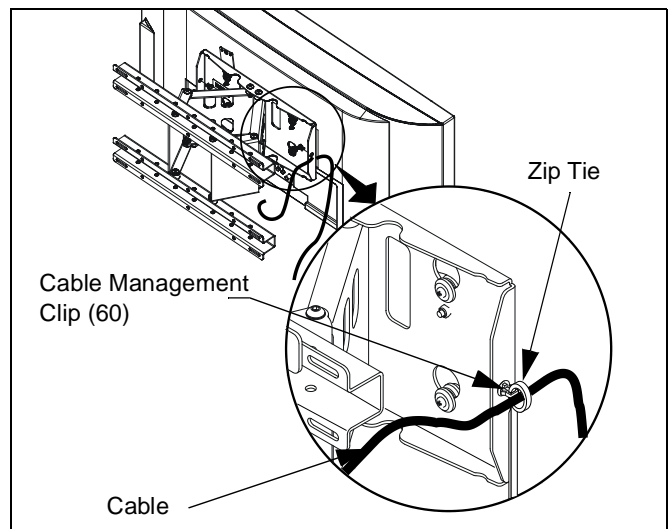


Figure 10: Cable Routing



8832-000136 Rev D
©2006 Chief Manufacturing
www.chiefmfg.com
12/06

USA/International	A 8401 Eagle Creek Parkway, Savage, MN 55378 P 800.582.6480 / 952.894.6280 F 877.894.6918 / 952.894.6918
Europe	A Fellenoord 130 5611 ZB EINDHOVEN, The Netherlands P +31 (0)40 2668620 F +31 (0)40 2668615
Asia Pacific	A Room 30I, Block D, Lily YinDu International Building LuoGang, BuJi Town, Shenzhen, CHINA. Post Code: 518112 深圳市布吉罗岗百合银都国际大厦D栋30I P +86-755-8996 9226 ; 8996 9236 ; 8996 9220 F +86-755-8996 9217