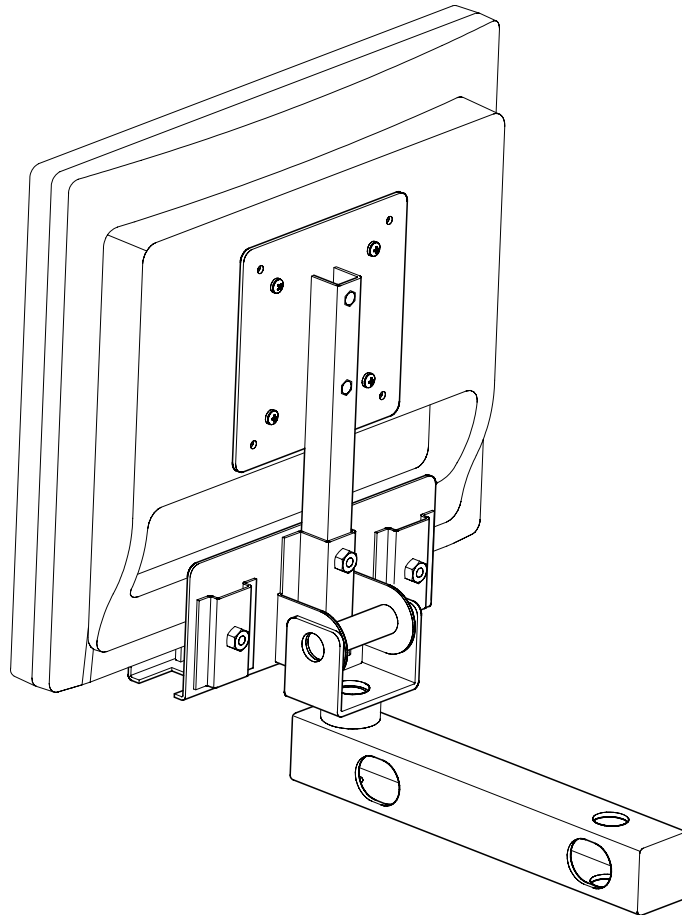

INSTALLATION INSTRUCTIONS

Desk Clamp Accessory

Model: MSP-NECGC1



BEFORE YOU BEGIN

⚠ CAUTION!

To prevent damage to the Kit, which could affect or void the Factory warranty, and to the equipment that will be attached to it, thoroughly study all instructions and illustrations before you begin the installation.

⚠ WARNING!

Improper installation can result in serious personal injury! Make sure that the mounting surface can support a redundant weight factor five times the total weight of the equipment.

- If you have any questions about this installation, contact Chief Manufacturing at 1-800-582-6480.

TOOLS REQUIRED FOR INSTALLATION

- Phillips Screw Driver
- 5/32" Security Hex Wrench (provided)

INSPECT MOUNT BEFORE ASSEMBLY

▲ CAUTION!

Carefully inspect components for shipping damage. If damage is apparent, call your carrier claims agent and do not continue with installation until the carrier has reviewed the damage.(see Figure 1)

Table 1: Parts

ITEM	DESCRIPTION	QTY*
10	BRACKET, Interface	1
20	BRACKET, Slide Post	1
30	SCREW, Phillips Flat Head Machine, M4 x 12mm (PFMS)	2
40	SCREW, Phillips Pan Head Machine, M4 x 8mm (PPMS)	4
50*	SCREW, Phillips Button Head Security, M4 x 8mm (BHSS)	4
60	WRENCH, Hex, 5/32" Security	1

* Replaces item 40 when security is required and is installed using 5/32" Hex Wrench (60) provided.

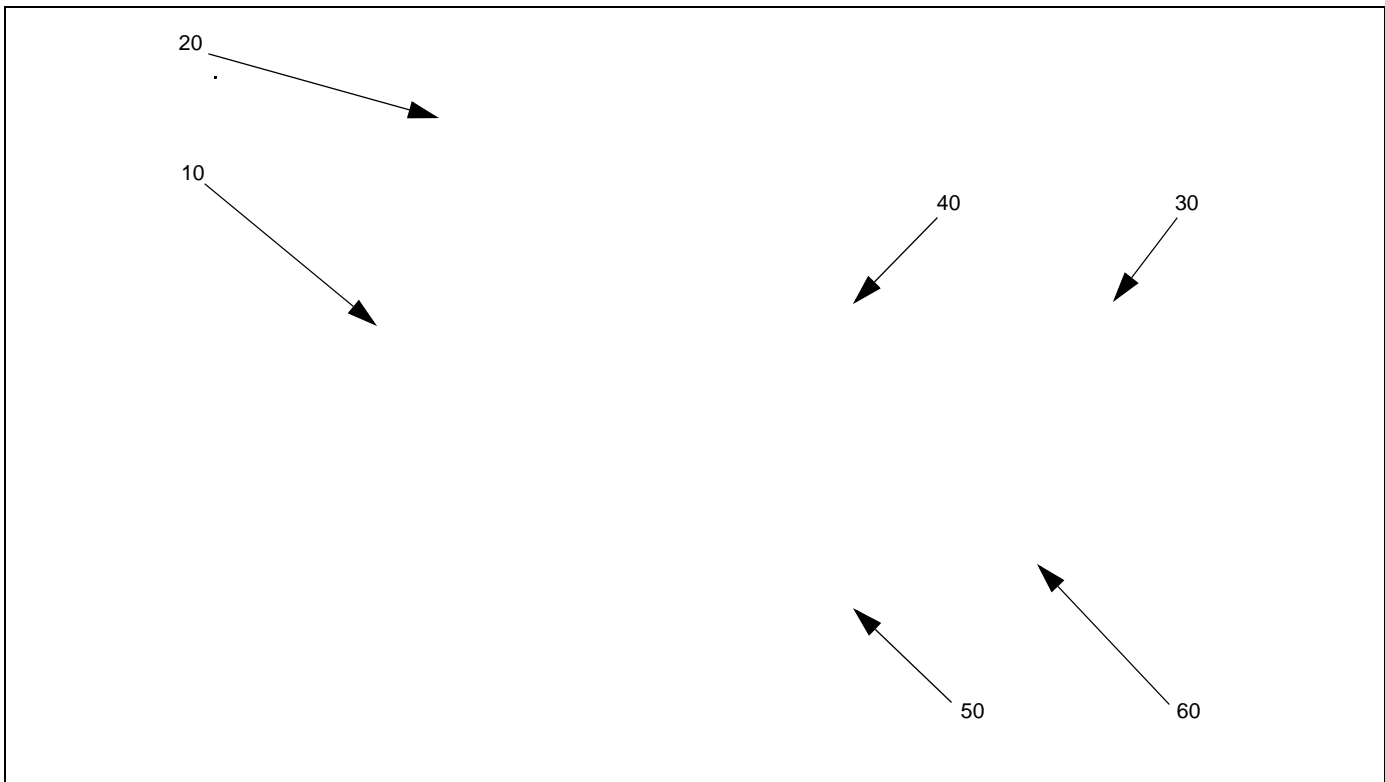


Figure 1: Parts

ASSEMBLY AND INSTALLATION

1. Assemble display interface bracket (10) to slide post bracket (20) using two PFMS (30) and 5/32" hex wrench (60) (provided). (see Figure 2)

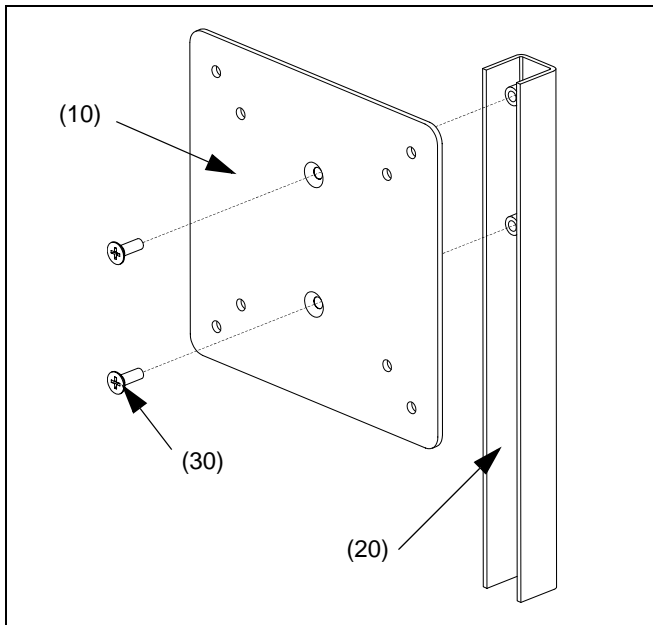


Figure 2: Assemble Interface Bracket

2. Assemble interface bracket assembly to display using four PPMS (40), or four BHSS (50) if security is required. (see Figure 3)

NOTE: Security Hex Wrench (60) is required when item (50) is used.

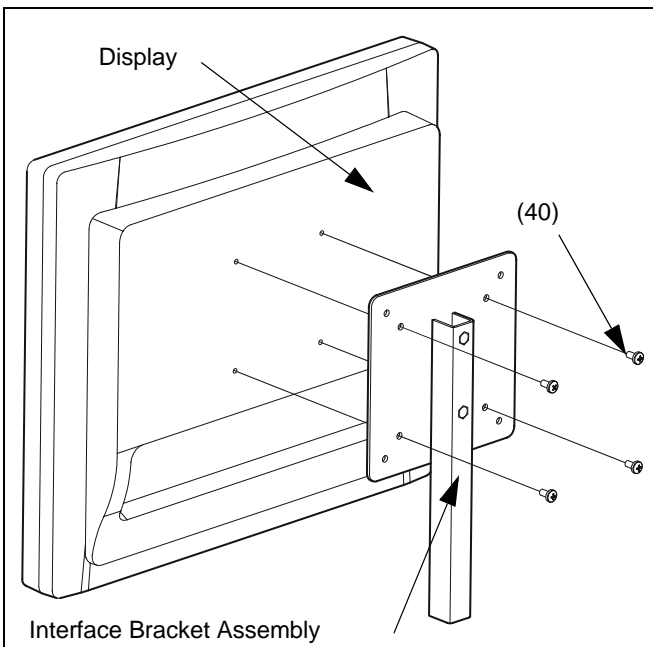


Figure 3: Assemble Interface Bracket to Display

3. Position slide bracket with display so that display is facing outward as shown in figure 4 below.
4. Slide post of slide bracket assembly down into mount.

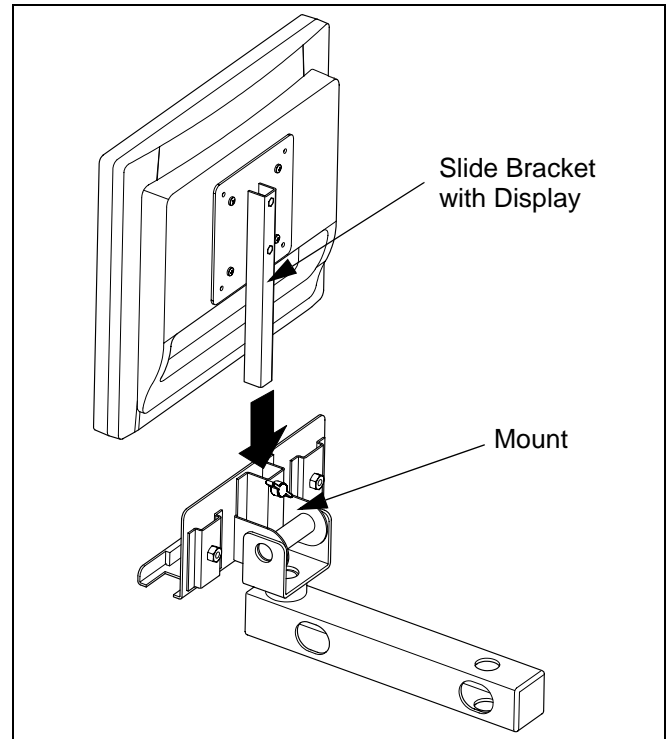


Figure 4: Assemble Interface Bracket With Display to Mount

5. Secure slide bracket assembly to mount by turning wing screw clockwise to tighten. (see Figure 5)

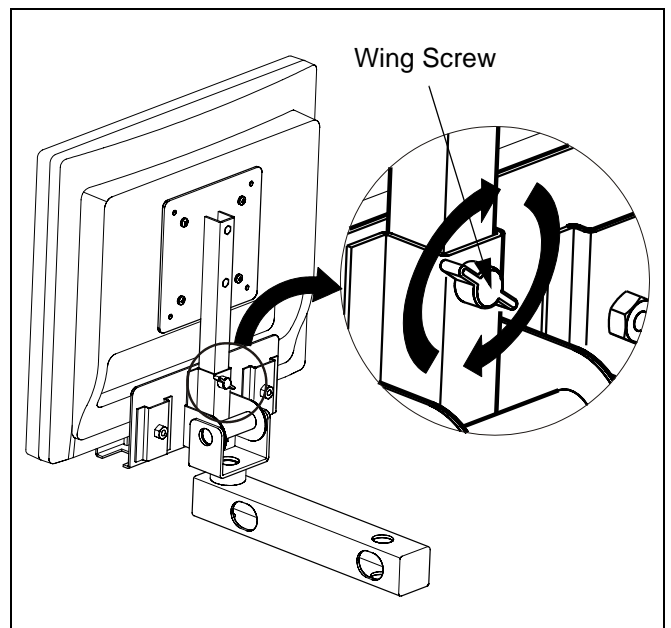


Figure 5: Tighten Locking Screw

