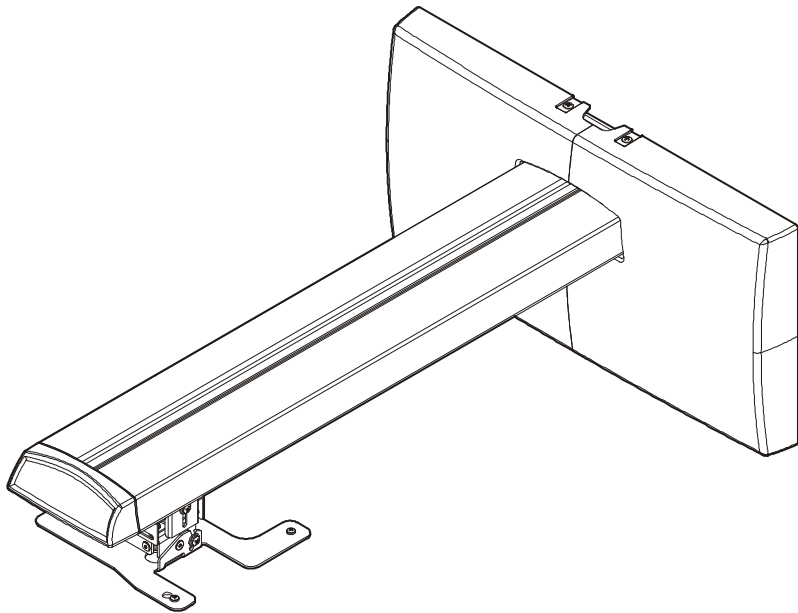

INSTALLATION INSTRUCTIONS



Dual Stud Ultra Short Throw Wall Mount

DISCLAIMER

Milestone AV Technologies and its affiliated corporations and subsidiaries (collectively "Milestone"), intend to make this manual accurate and complete. However, Milestone makes no claim that the information contained herein covers all details, conditions or variations, nor does it provide for every possible contingency in connection with the installation or use of this product. The information contained in this document is subject to change without notice or obligation of any kind. Milestone makes no representation of warranty, expressed or implied, regarding the information contained herein. Milestone assumes no responsibility for accuracy, completeness or sufficiency of the information contained in this document.

Chief® is a registered trademark of Milestone AV Technologies. All rights reserved.

! IMPORTANT WARNINGS AND CAUTIONS!

! WARNING: A WARNING alerts you to the possibility of serious injury or death if you do not follow the instructions.

! CAUTION: A CAUTION alerts you to the possibility of damage or destruction of equipment if you do not follow the corresponding instructions.

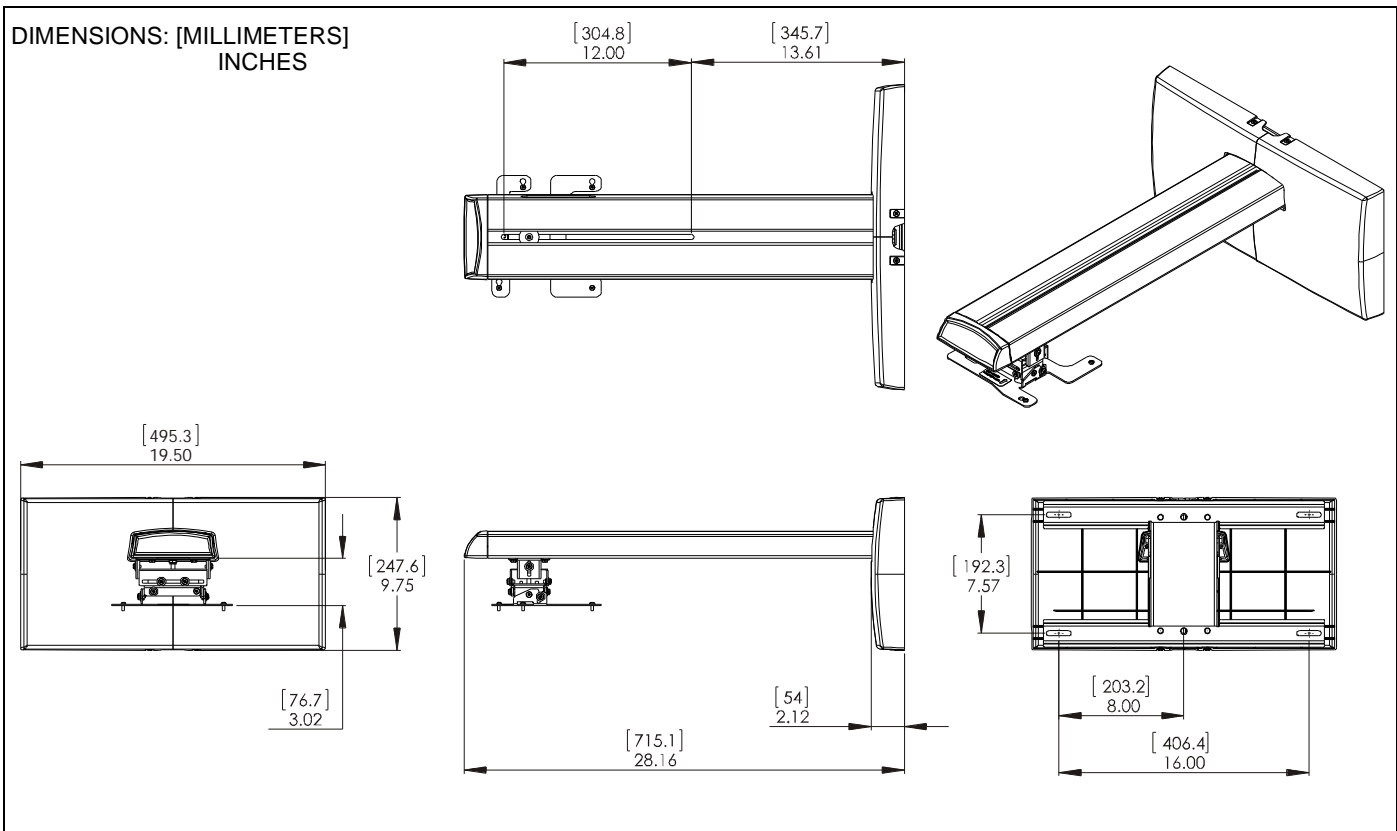
! WARNING: Failure to read, thoroughly understand, and follow all instructions can result in serious personal injury, damage to equipment, or voiding of factory warranty! It is the installer's responsibility to make sure all components are properly assembled and installed using the instructions provided.

! WARNING: Failure to provide adequate structural strength for this component can result in serious personal injury or damage to equipment! It is the installer's responsibility to make sure the structure to which this component is attached can support five times the combined weight of all equipment. Reinforce the structure as required before installing the component. The wall to which the mount is being attached may have a maximum drywall thickness of 5/8" (1.6cm) for wood stud installation, and 1/2" (1.3cm) for steel stud installation.

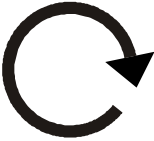

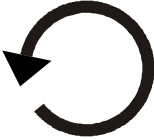





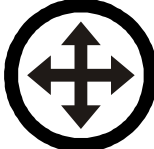
! WARNING: Exceeding the weight capacity can result in serious personal injury or damage to equipment! It is the installer's responsibility to make sure the weight of the projector does not exceed 25 lbs (11.3 kg).

--SAVE THESE INSTRUCTIONS--

DIMENSIONS



LEGEND

	<p>Tighten Fastener</p> <p>Apretar elemento de fijación</p> <p>Befestigungsteil festziehen</p> <p>Apertar fixador</p> <p>Serrare il fissaggio</p> <p>Bevestiging vastdraaien</p> <p>Serrez les fixations</p>		<p>Pencil Mark</p> <p>Marcar con lápiz</p> <p>Stiftmarkierung</p> <p>Marcar com lápis</p> <p>Segno a matita</p> <p>Potloodmerkteken</p> <p>Marquage au crayon</p>
	<p>Loosen Fastener</p> <p>Aflojar elemento de fijación</p> <p>Befestigungsteil lösen</p> <p>Desapertar fixador</p> <p>Allentare il fissaggio</p> <p>Bevestiging losdraaien</p> <p>Desserrez les fixations</p>		<p>Drill Hole</p> <p>Perforar</p> <p>Bohrloch</p> <p>Fazer furo</p> <p>Praticare un foro</p> <p>Gat boren</p> <p>Percez un trou</p>
	<p>Phillips Screwdriver</p> <p>Destornillador Phillips</p> <p>Kreuzschlitzschraubendreher</p> <p>Chave de fendas Phillips</p> <p>Cacciavite a stella</p> <p>Kruiskopschroevendraaier</p> <p>Tournevis à pointe cruciforme</p>		<p>Security Wrench</p> <p>Llave de seguridad</p> <p>Sicherheitsschlüssel</p> <p>Chave de segurança</p> <p>Chiave di sicurezza</p> <p>Veiligheidsleutel</p> <p>Clé de sécurité</p>
	<p>Open-Ended Wrench</p> <p>Llave de boca</p> <p>Gabelschlüssel</p> <p>Chave de bocas</p> <p>Chiave a punte aperte</p> <p>Steeksleutel</p> <p>Clé à fourche</p>		<p>Hex-Head Wrench</p> <p>Llave de cabeza hexagonal</p> <p>Sechskantschlüssel</p> <p>Chave de cabeça sextavada</p> <p>Chiave esagonale</p> <p>Zeskantsleutel</p> <p>Clé à tête hexagonale</p>
	<p>Adjust</p> <p>Ajustar</p> <p>Einstellen</p> <p>Ajustar</p> <p>Regolare</p> <p>Afstellen</p> <p>Ajuster</p>		

TOOLS REQUIRED FOR INSTALLATION

1/2" (12.7mm)

5/32" (included)

1/2" (12.7mm) - steel stud
 3/8" (9.5mm) - concrete
 7/32" (5.6mm) - wood stud

Hardware required, not included:

Steel Stud Install

- 4 - Toggler® 1/4-20 (BB) Snap-Toggle
- 4 - Grade 2 or better 1/4-20 x 1-3/4" Phillips pan head screws
- 4 - Grade 2 or better 1/4" washer

Concrete Install

- 4 - Fischer UX 10 x 60 anchors [P/N 077871] **OR**
- 4 - Hilti HUD-L 10x70 anchors

Wood Stud Install and Concrete Install

- 4 - Grade 2 or better 5/16 x 2-1/2" hex head lag screws
- 4 - Grade 2 or better 5/16" washers

PARTS

A (1) [Short throw projector arm]

B (1) [Wall plate]

C (1) [Arm adjust plate]

D (1) [End cap]

E (1) [Wall cover - right]

F (1) [Wall cover - left]

G (2) [Dual stud bracket]

H (1) [Hardware kit]

HA (4) M4 x 10mm

HB (4) 10-24 x 5/8"

HC (1) 5/32"

HD (2) 1/4-20 x 3/4"

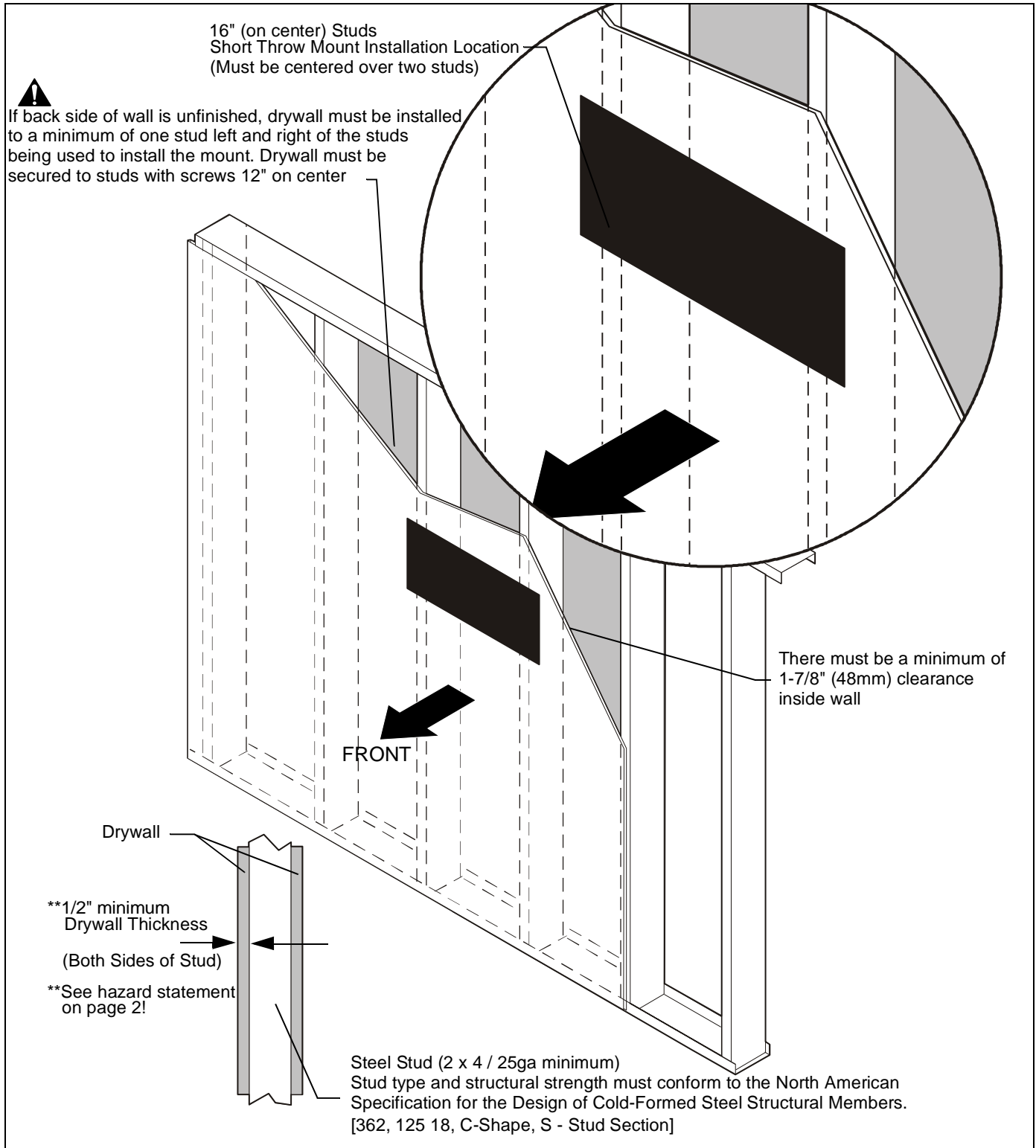
HE (1) 1/4-20 x 1-1/4"

HF (4) 5/16"

Site Requirements



WARNING: IMPROPER INSTALLATION CAN LEAD TO EQUIPMENT FALLING CAUSING SERIOUS PERSONAL INJURY OR DAMAGE TO EQUIPMENT! The figure below identifies the minimum requirements for installation of mount onto a steel stud structure. If the structure or its components do not meet these requirements contact the mount manufacturer for specific instructions before attempting installation. It should also be noted that no other equipment should be mounted to the same stud.



ASSEMBLY AND INSTALLATION

The BM-3003N short throw projector mount is designed to be mounted to solid concrete, hollow concrete block, 2" x 4" wood studs 16" on center, or steel studs.

Assembling Wall Plate to Brackets

1. Attach wall plate (B) to two dual stud brackets (G) using four 5/16" lock nuts (HF). (See Figure 1)

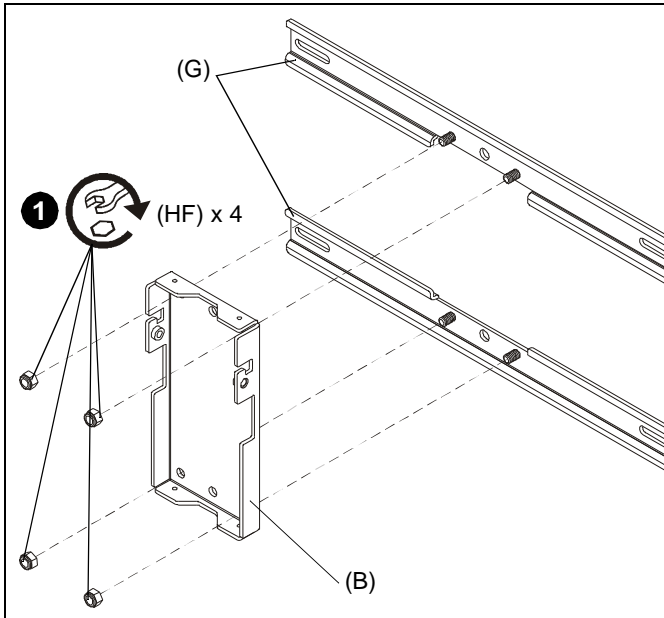


Figure 1

Mounting Wall Plate and Brackets

NOTE: Proceed to the **Concrete or Concrete Block, Wood Studs or Steel Studs** section, as appropriate for installation.

Concrete or Concrete Block

1. Determine mounting location on wall.
2. Using dual stud brackets (G) with attached wall plate (B) as a template, mark four holes in brackets as mounting holes. (See Figure 2)
3. Drill four 3/8" holes at marked locations in wall. (See Figure 2)
4. Install either four Fischer UX 10 x 60 anchors [Part number 077871] (not included) or four Hilti HUD-L 10x70 anchors (not included) into drilled holes. (See Figure 2)
5. Install four Grade 2 or better 5/16 x 2-1/2" hex head lag screws (not included) through four Grade 2 or better 5/16" washers (not included), holes in stud brackets (G) and into four Fischer or Hilti anchors (not included). (See Figure 2)

NOTE: Proceed to **Installing Short Throw Projector Arm to Bracket** section to continue installation.

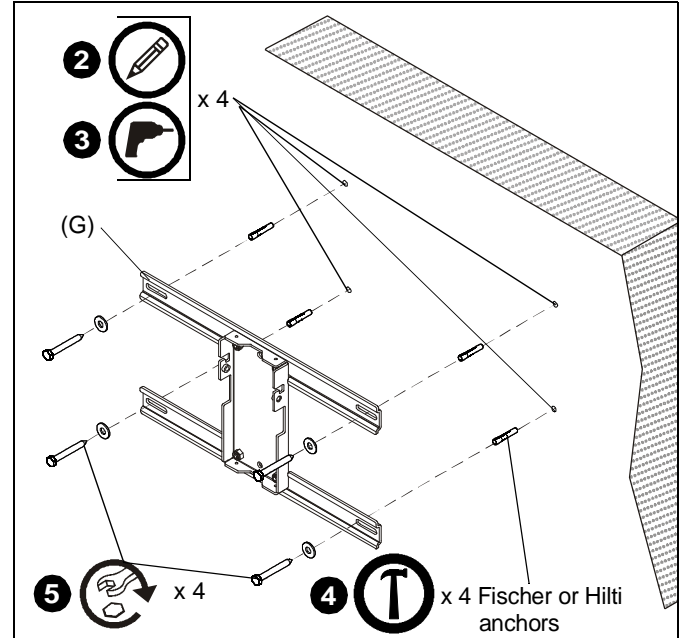


Figure 2

Wood Studs

1. Determine mounting location on wall. Use a stud finder to locate studs.
2. Using dual stud brackets (G) with attached wall plate (B) as a template, mark four holes in brackets as mounting holes. (See Figure 2)
3. Drill four 7/32" holes at marked locations in wall. (See Figure 3)
4. Install four Grade 2 or better 5/16 x 2-1/2" hex head lag screws (not included) through four Grade 2 or better 5/16" washers (not included), holes in stud brackets (G) and into four drilled holes. (See Figure 3)

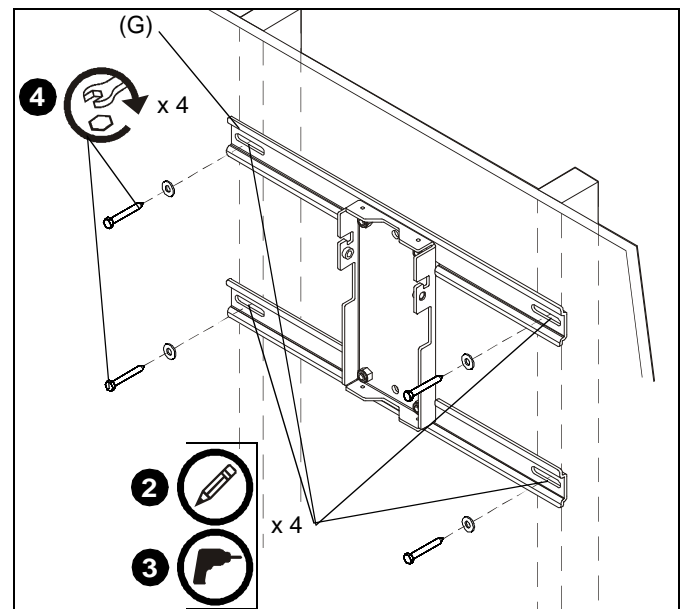


Figure 3

NOTE: Proceed to **Installing Short Throw Projector Arm to Bracket** section to continue installation.

Steel Studs

IMPORTANT ! : See **Site Requirements** section before proceeding with Steel Studs installation to ensure installation site meets requirements! The drywall must have a minimum thickness of 1/2"!

1. Determine mounting location on wall. Use stud finder to locate steel studs.
2. Line up four holes on mounting bracket with center of studs at desired mounting location. (See Figure 4)
3. Using mounting bracket as a template, mark four holes at the four holes in bracket. (See Figure 4)
4. Drill four 1/2" holes at marked locations on wall. (See Figure 4)

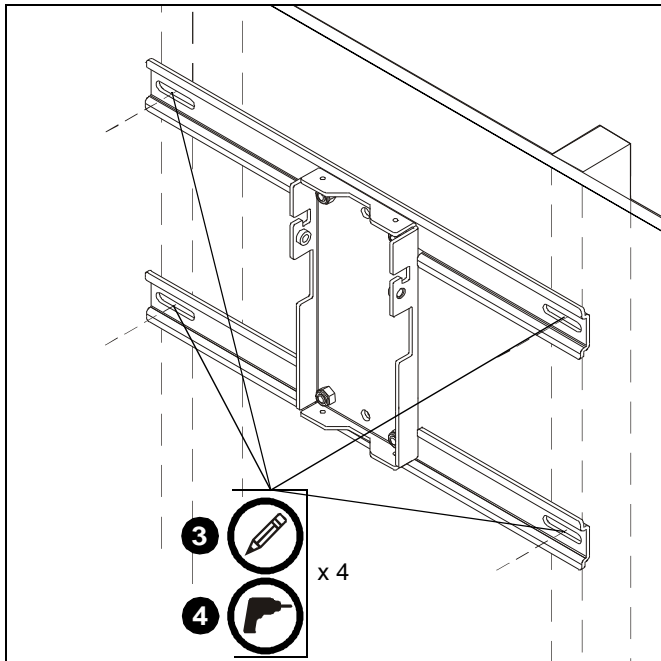


Figure 4

5. Hold metal channel on Toggler® 1/4-20 (BB) Snap-Toggle (not included) flat alongside plastic straps and slide channel through hole. (See Figure 5)

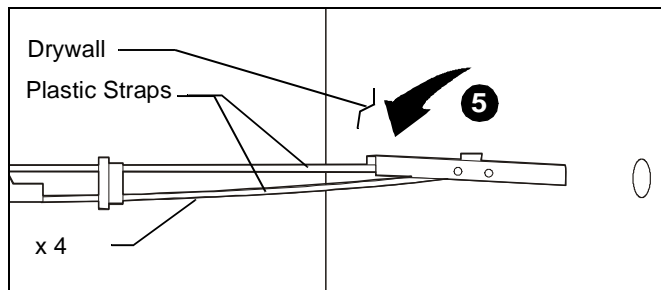


Figure 5

6. Holding plastic straps on anchor, pull anchor away from wall until channel rests flush behind wall making sure anchor channel is positioned vertically on stud. (See Figure 6)
7. Slide plastic cap on anchor towards wall until flange of cap is flush with wall. (See Figure 6)

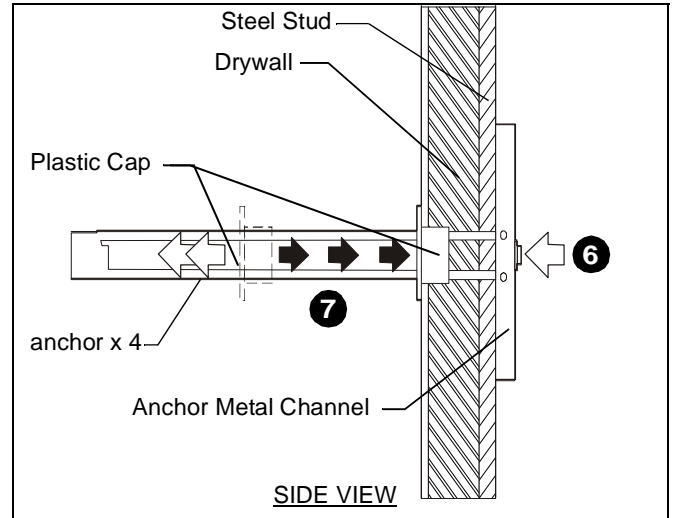


Figure 6

8. Snap off plastic straps on anchor at wall by pushing side to side, snapping off straps level with flange of plastic cap. (See Figure 7)
9. Repeat Steps 6 through 8 for each mounting hole.

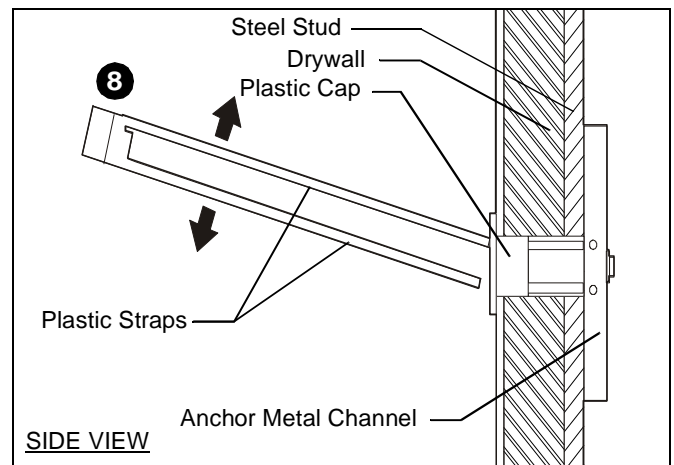


Figure 7

10. Place wall bracket over anchors and align mounting holes in display mount with holes in anchors. (See Figure 8)
11. Insert Grade 2 or better 1/4-20 x 1-3/4" Phillips pan head screws (not included) through Grade 2 or better 1/4" washer (not included), corresponding mounting hole on wall bracket and into Snap-Toggle (not included) and tighten until flush against mount. DO NOT overtighten! (See Figure 8)
12. Repeat Steps 10 and 11 for remaining 3 mounting holes.

⚠ WARNING: IMPROPER INSTALLATION CAN LEAD TO EQUIPMENT FALLING CAUSING SERIOUS PERSONAL INJURY OR DAMAGE TO EQUIPMENT! Overtightening of mounting hardware can damage the steel studs. DO NOT overtighten mounting hardware!

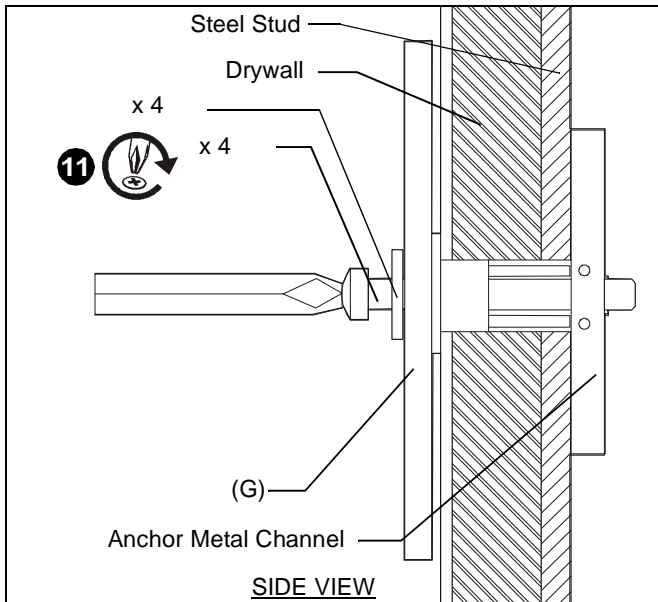


Figure 8

Adjusting Projector Mount

Lower projector mount [attached to short throw projector arm (A)] to lowest position. (See Figure 9)

1. Loosen two screws (one on each side of projector mount). (See Figure 9)
2. Turn the button head cap screw on top of mount counterclockwise to lower the mount. (See Figure 9)
3. Loosen four hex head bolts. (See Figure 9)
4. Loosen center nut. (See Figure 9)

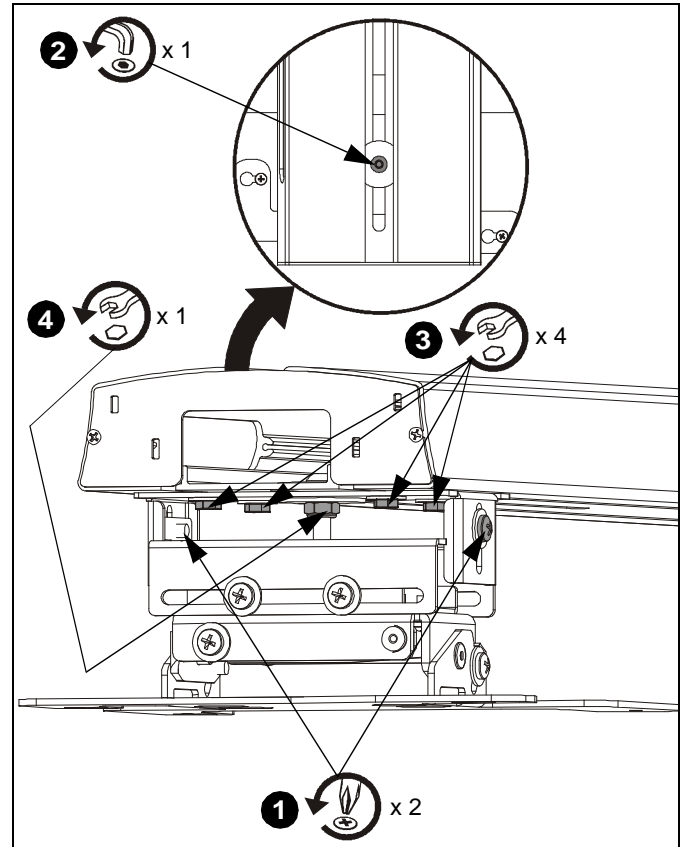


Figure 9

Installing Short Throw Projector Arm to Bracket

1. Attach arm adjust plate (C) to wall plate ensuring that adjust plate tabs fit into notches on wall plate. Insert and slightly tighten one 1/4-20 x 1-1/4" button head cap screw (HE). (See Figure 10)

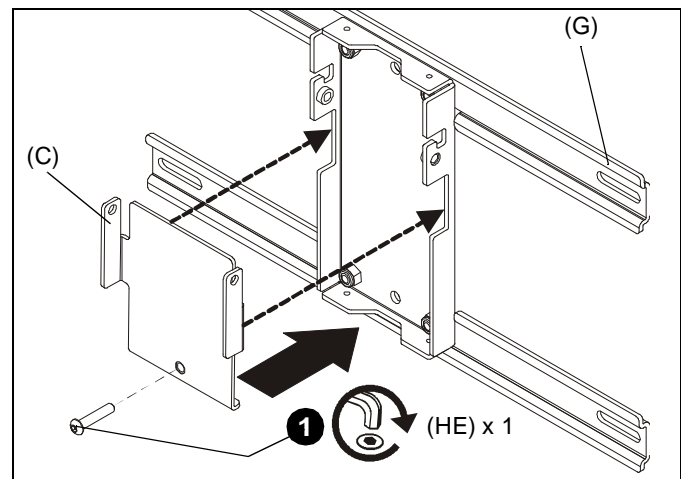


Figure 10

2. Lift short throw projector arm (A) up to wall plate (B) and place projector arm slots over wall plate hooks. (See Figure 11)

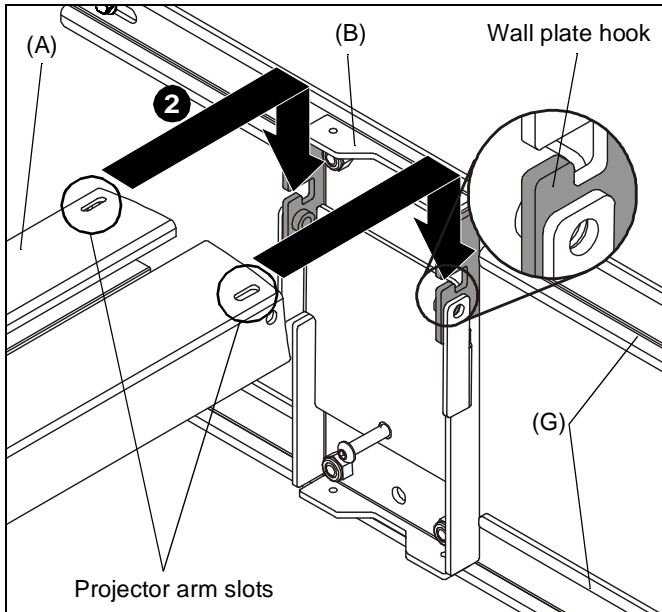


Figure 11

3. Fasten short throw arm (A) to wall plate (B) using two 1/4-20 x 3/4" button head cap screws (HD). (See Figure 12)

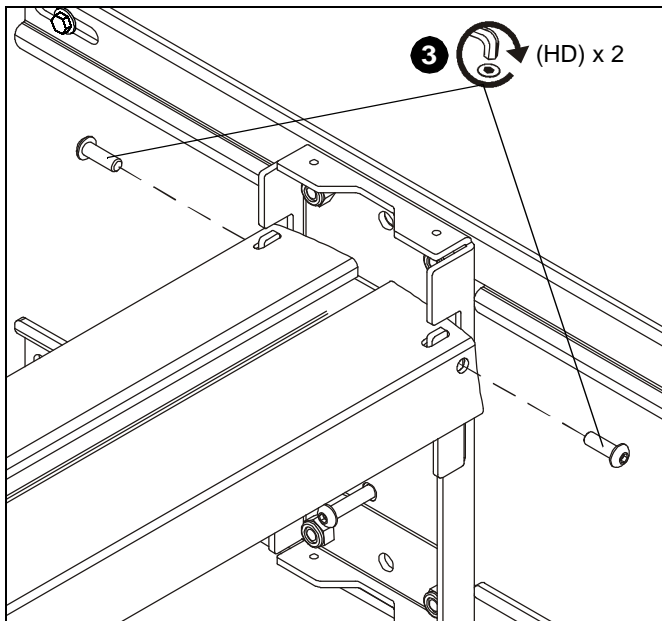


Figure 12

Projector Installation



WARNING: Exceeding the weight capacity can result in serious personal injury or damage to equipment! It is the installer's responsibility to make sure the weight of the projector does not exceed 25 lbs (11.3 kg).

1. Insert and slightly tighten three M4 x 10mm Phillips pan head screws (HA) into the projector threaded inserts. (See Figure 13)

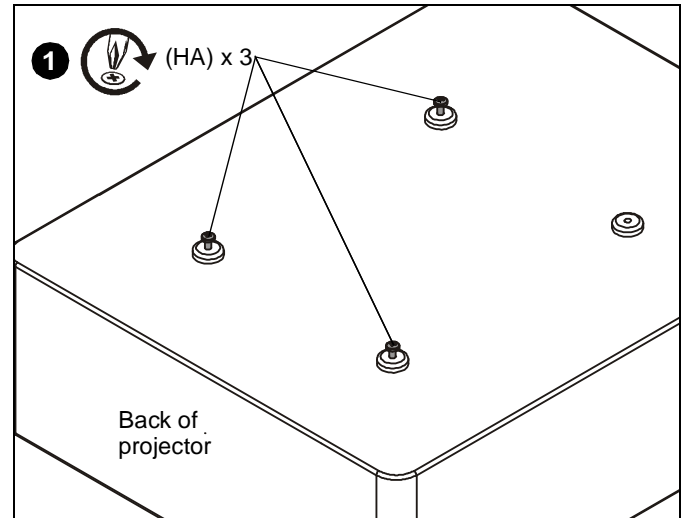


Figure 13

2. Raise the projector up to the projector arm and slide three screws into slots on the projector arm. (See Figure 14)
3. Add one remaining M4 x 10mm Phillips pan head screw (HA) through the projector arm and into the projector. (See Figure 14)
4. Tighten all four fasteners.

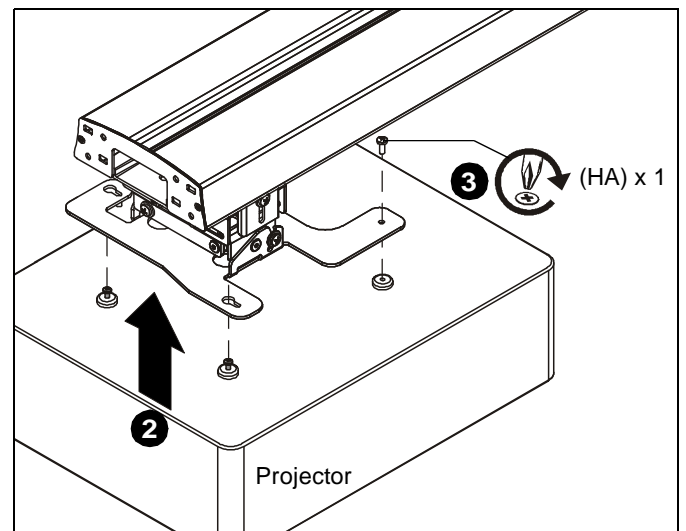


Figure 14

5. Slide projector along short throw projector arm until image is the correct size on screen.

6. Tighten four hex head bolts, making sure image is square with wall. (See Figure 15)
7. Tighten center nut. (See Figure 15)

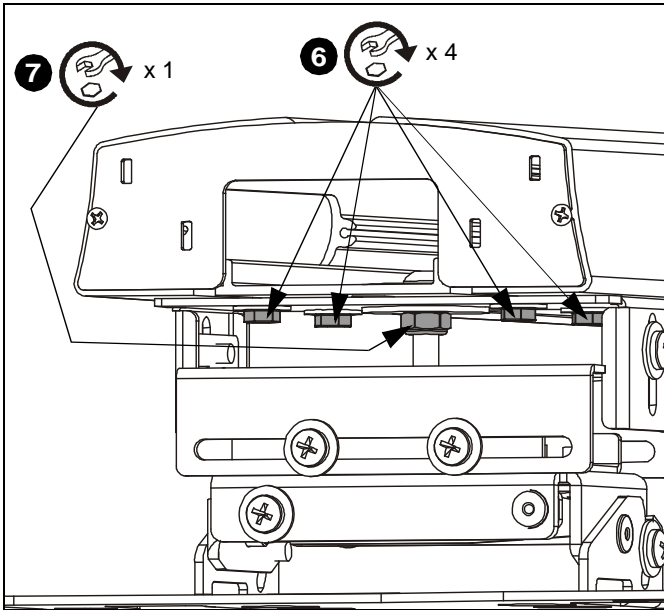


Figure 15

Leveling the Projector Arm

Tighten the button head cap screw on the arm adjustment plate (C) to level the projector arm. (See Figure 16)

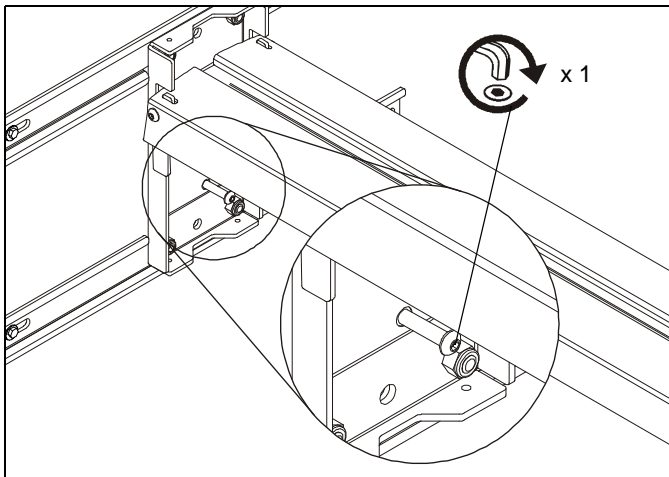


Figure 16

Adjustments

Height Adjustment

1. Loosen two Phillips screws (one on left, one on right). (See Figure 17)
2. Turn the button head cap screw on top of mount clockwise to raise the mount (counterclockwise to lower the mount). (See Figure 17)
3. Tighten two Phillips screws. (See Figure 17)

Pitch Adjustment

NOTE: Use a level to make this process easier.

4. Loosen two Phillips screws (one on right, one on left). (See Figure 17)
5. Tip up or down, as required.
6. Tighten two Phillips screws. (See Figure 17)

Roll Adjustment

NOTE: Use a level to make this process easier.

7. Loosen one Phillips screw. (See Figure 17)
8. Adjust horizontal tilt, as required.
9. Tighten one Phillips screw. (See Figure 17)

Side-to-Side Adjustment

10. Loosen four Phillips screws (two on front, two on back). (See Figure 17)
11. Adjust side-to-side, as required.
12. Tighten four Phillips screws. (See Figure 17)

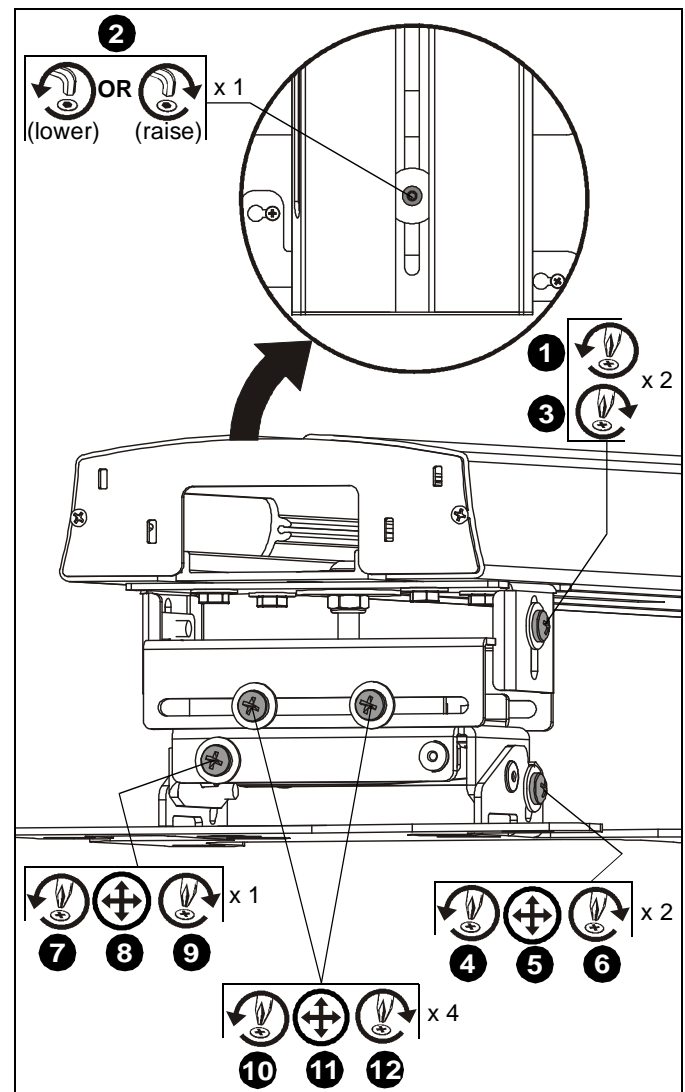


Figure 17

Cable Management (Optional)

1. Route cables/cords from projector through opening on projector arm and route to wall. (See Figure 18)
2. Guide cables/cords from wall end of projector arm upward or downward through slots in wall plate. (See Figure 18)

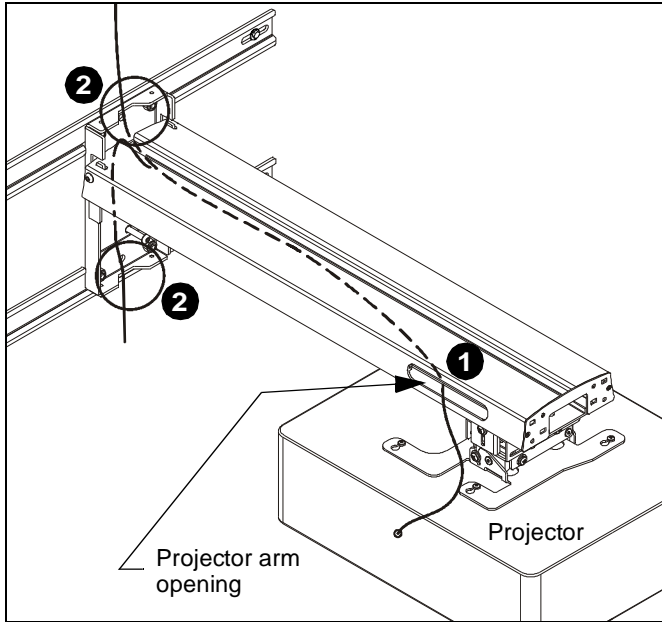


Figure 18

Add Plastic Covers

1. Add right and left plastic covers (E and F) over brackets. (See Figure 19)
2. Fasten covers using four 10-24 x 5/8" Phillips cap head screws (HB). (See Figure 19)

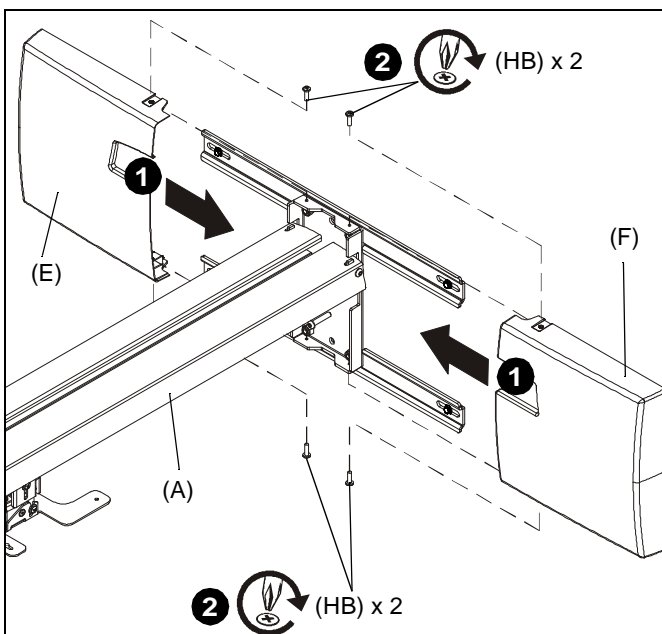


Figure 19

3. Add end cap (D) to end of short throw projector arm. (See Figure 20)

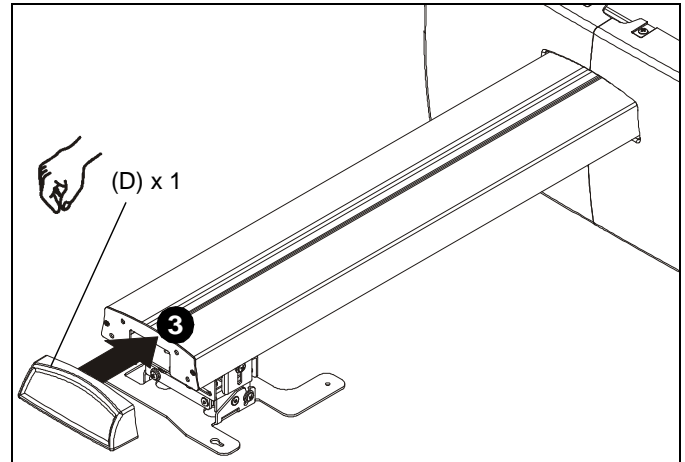


Figure 20



8800-002141 Rev00
01/12

USA/International **A** 8401 Eagle Creek Parkway, Savage, MN 55378
 P 800.582.6480 / 952.894.6280
 F 877.894.6918 / 952.894.6918

