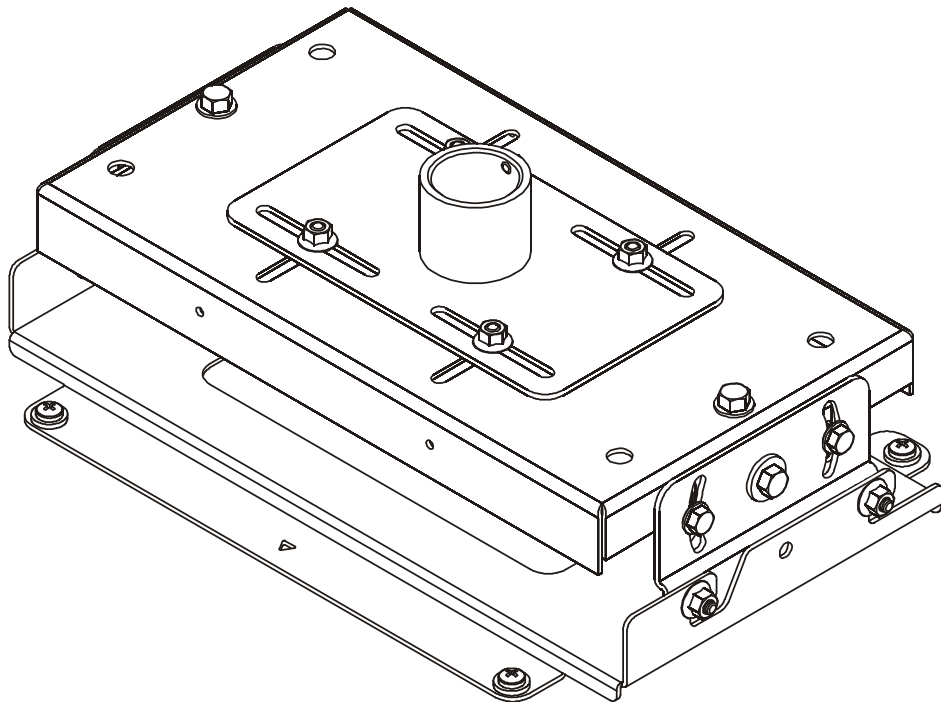


---

# INSTALLATION INSTRUCTIONS

---



---

**Heavy Duty Ceiling Mount for TH7500 / PRO8000**

---

## DISCLAIMER

Milestone AV Technologies and its affiliated corporations and subsidiaries (collectively "Milestone"), intend to make this manual accurate and complete. However, Milestone makes no claim that the information contained herein covers all details, conditions or variations, nor does it provide for every possible contingency in connection with the installation or use of this product. The information contained in this document is subject to change without notice or obligation of any kind. Milestone makes no representation of warranty, expressed or implied, regarding the information contained herein. Milestone assumes no responsibility for accuracy, completeness or sufficiency of the information contained in this document.

Chief® is a registered trademark of Milestone AV Technologies. All rights reserved.



## IMPORTANT WARNINGS AND CAUTIONS!



**WARNING:** A WARNING alerts you to the possibility of serious injury or death if you do not follow the instructions.



**CAUTION:** A CAUTION alerts you to the possibility of damage or destruction of equipment if you do not follow the corresponding instructions.



**WARNING:** Failure to read, thoroughly understand, and follow all instructions can result in serious personal injury, damage to equipment, or voiding of factory warranty! It is the installer's responsibility to make sure all components are properly assembled and installed using the instructions provided.



**WARNING:** Failure to provide adequate structural strength for this component can result in serious personal injury or damage to equipment! It is the installer's responsibility to make sure the structure to which this component is attached can support five times the combined weight of all equipment. Reinforce the structure as required before installing the component.





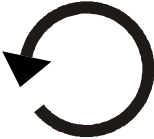



**WARNING:** Exceeding the weight capacity can result in serious personal injury or damage to equipment! It is the installer's responsibility to make sure the combined weight of all components located between the supporting structure and the BM-9002N does not exceed 250 lbs (113.4 kg).

- The weight capacity of the BM-9002N may be LIMITED to the lowest weight capacity of any other component located between the BM-9002N and the supporting structure!

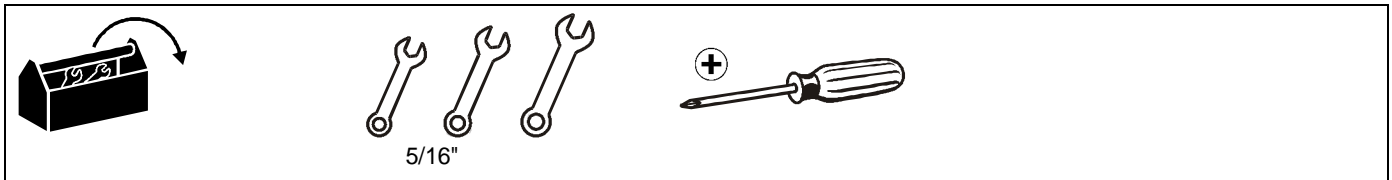


**WARNING:** The installer is responsible for verifying that the 1-1/2" NPT fixture this mount is installed on is capable of supporting five times the maximum weight capacity of the mount as stated above.

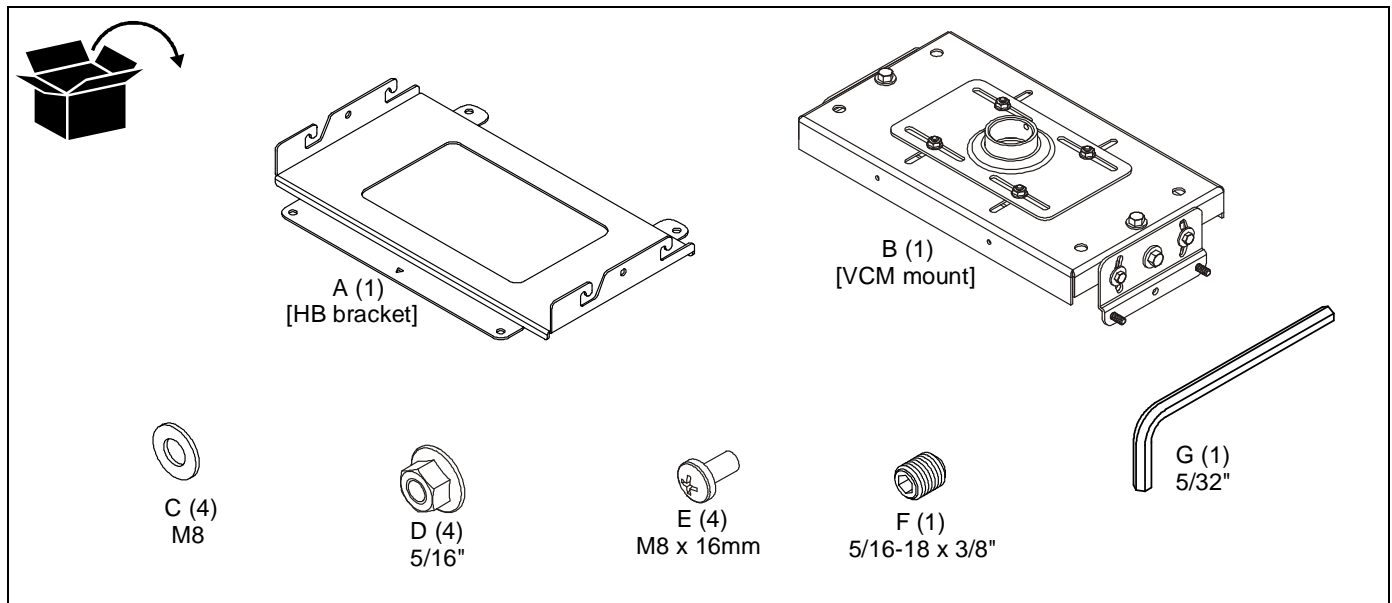
**LEGEND**

	<b>Tighten Fastener</b>		<b>By Hand</b>
	Apretar elemento de fijación		A mano
	Befestigungsteil festziehen		Von Hand
	Apertar fixador		Com a mão
	Serrare il fissaggio		A mano
	Bevestiging vastdraaien		Met de hand
Serrez les fixations	À la main		
	<b>Loosen Fastener</b>		<b>Open-Ended Wrench</b>
	Aflojar elemento de fijación		Llave de boca
	Befestigungsteil lösen		Gabelschlüssel
	Desapertar fixador		Chave de bocas
	Allentare il fissaggio		Chiave a punte aperte
	Bevestiging losdraaien		Steeksleutel
Desserrez les fixations	Clé à fourche		
	<b>Phillips Screwdriver</b>		<b>Hex-Head Wrench</b>
	Destornillador Phillips		Llave de cabeza hexagonal
	Kreuzschlitzschraubendreher		Sechskantschlüssel
	Chave de fendas Phillips		Chave de cabeça sextavada
	Cacciavite a stella		Chiave esagonale
	Kruiskopschroevendraaier		Zeskantsleutel
Tournevis à pointe cruciforme	Clé à tête hexagonale		

**TOOLS REQUIRED FOR INSTALLATION**



**PARTS**



## INSTALLATION



**WARNING:** FAILURE TO PROVIDE ADEQUATE STRUCTURAL STRENGTH FOR THIS COMPONENT CAN RESULT IN SERIOUS PERSONAL INJURY OR DAMAGE TO EQUIPMENT! It is the installer's responsibility to make sure the structure to which this component is attached can support five times the combined weight of all equipment. Reinforce the structure as required before installing the component.

### Installing VCM Mount to NPT Pipe

**IMPORTANT ! :** The following installation instructions assume that a 1-1/2" NPT pipe has been properly installed and is in place.

1. Thread the VCM mount (B) onto the existing 1-1/2" NPT pipe until tight. (See Figure 1)

**NOTE:** Ensure that long edge of VCM mount is located parallel to the screen. (See Figure 1)

2. Tighten the 5/16-18 x 3/8" set screw (F) into the VCM mount threaded collar to prevent movement of the VCM. (See Figure 1)

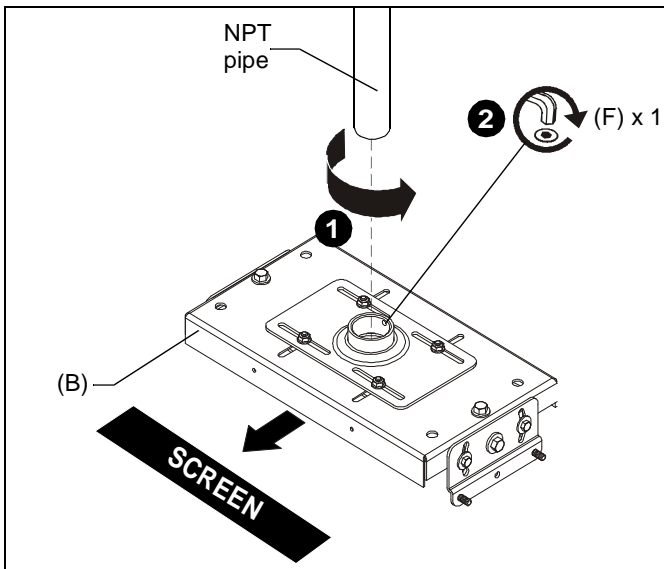


Figure 1

### Installing HB Bracket to Projector

1. Lower custom HB bracket (A) onto top of projector. Ensure that triangle in bracket points toward front of projector. (See Figure 2)
2. Attach HB bracket (A) to projector using four M8 x 16mm Phillips pan head screws (E) and four M8 flat washers (C) through four holes in the HB bracket. (See Figure 2)

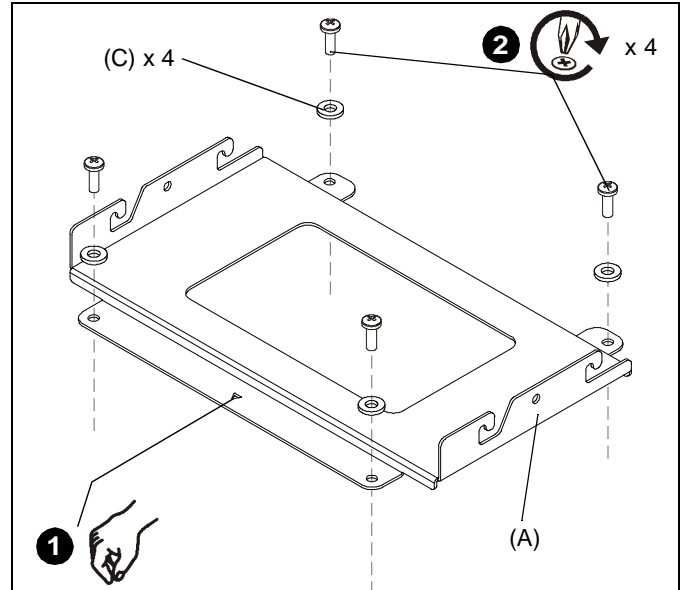


Figure 2

### Installing HB Bracket to VCM Mount



**CAUTION:** Installing a ceiling mount requires the presence of two persons familiar with mechanical installations. A third assistant is recommended.

1. With help of assistants, lift the projector with HB bracket (A) and install it to the four studs extending from the VCM mount (B). Ensure that the VCM mount is seated in slots on HB bracket. (See Figure 3)
2. Tighten the four 5/16" flange nuts (D). (See Figure 3)

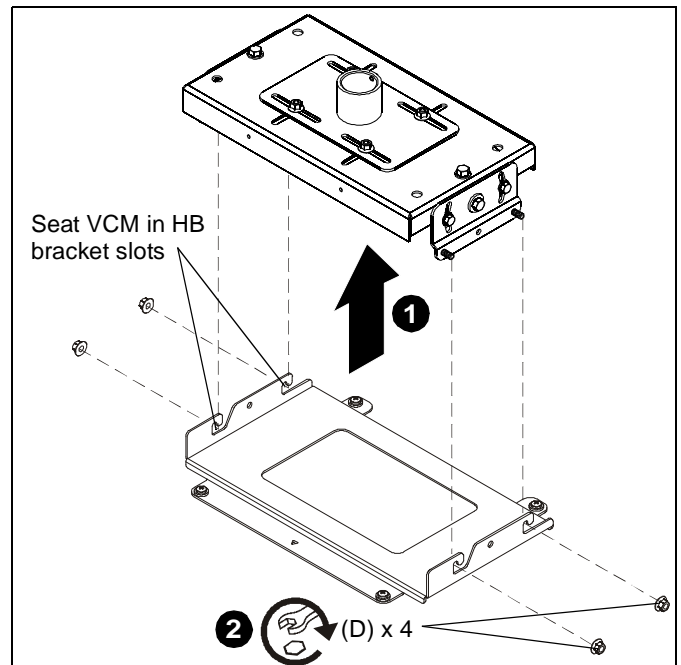


Figure 3

**Adjustments**



**WARNING:** MOUNTING HARDWARE IS TO BE LOOSENED ONLY ENOUGH TO ALLOW FOR NECESSARY MOVEMENT. Over-loosening or removal of mounting hardware may result in personal injury or serious damage to equipment!

**Horizontal Adjustments** (See Figure 4)

1. Loosen, but do NOT remove, the four nuts holding the top slide bracket on the VCM mount.
2. Adjust VCM mount up to 1-1/2" in any direction.
3. Tighten the nuts loosened (in Step 1) on the top slide bracket.

**Roll (Horizontal Tilt)** (See Figure 4)

4. Loosen three bolts on each end of the VCM mount.
5. Turn adjustment bolts (one at each end of VCM mount top) as required.
  - Turn **CLOCKWISE** to raise
  - Turn **COUNTERCLOCKWISE** to lower
6. Securely tighten three bolts on each end of VCM mount.

**Pitch (Vertical Elevation)** (See Figure 4)

7. Loosen two outside bolts on each end of the VCM mount.
8. Tilt projector to desired direction.
9. Securely tighten two outside bolts on each end of VCM mount.

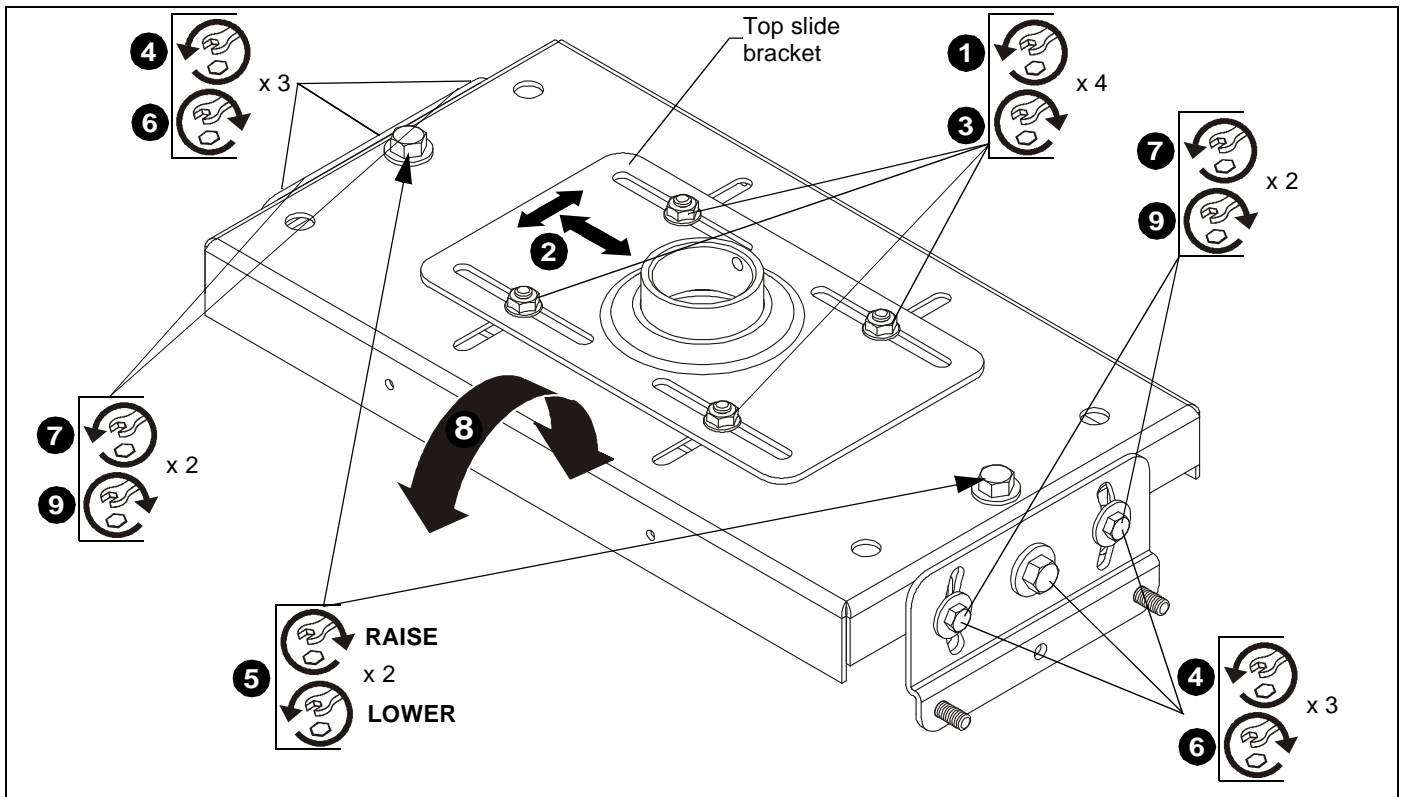


Figure 4







8800-002115 Rev00  
08/11

**USA/International**    **A** 8401 Eagle Creek Parkway, Savage, MN 55378  
                                  **P** 800.582.6480 / 952.894.6280  
                                  **F** 877.894.6918 / 952.894.6918

