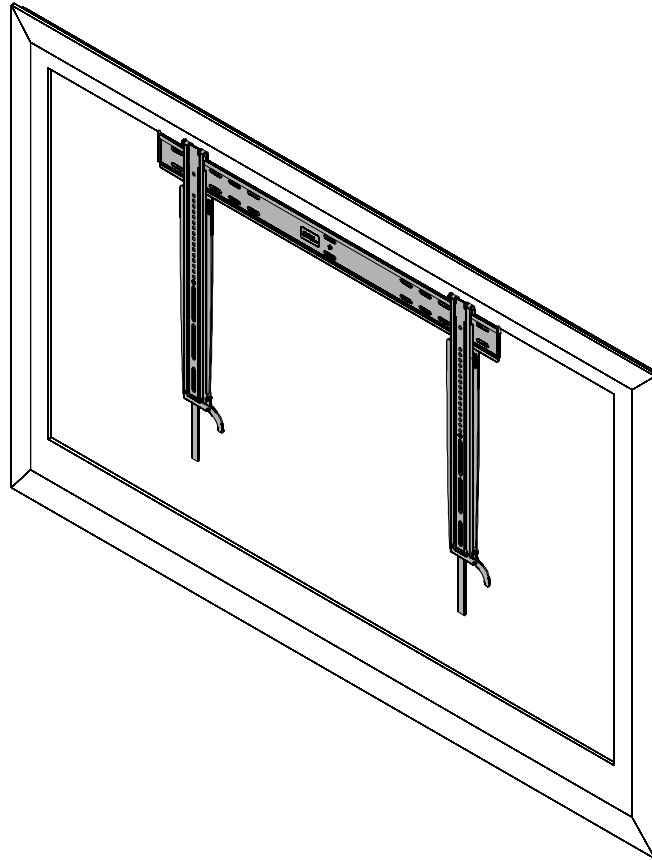

INSTALLATION INSTRUCTIONS



Large Static Universal Mount

DISCLAIMER

Planar Systems, Inc. and its affiliated corporations and subsidiaries (collectively "Planar"), intend to make this manual accurate and complete. However, Planar makes no claim that the information contained herein covers all details, conditions or variations, nor does it provide for every possible contingency in connection with the installation or use of this product. The information contained in this document is subject to change without notice or obligation of any kind. Planar makes no representation of warranty, expressed or implied, regarding the information contained herein. Planar assumes no responsibility for accuracy, completeness or sufficiency of the information contained in this document.

! IMPORTANT WARNINGS AND CAUTIONS!

! WARNING: A WARNING alerts you to the possibility of serious injury or death if you do not follow the instructions.

! CAUTION: A CAUTION alerts you to the possibility of damage or destruction of equipment if you do not follow the corresponding instructions.

! WARNING: Failure to read, thoroughly understand, and follow all instructions can result in serious personal injury,

damage to equipment, or voiding of factory warranty! It is the installer's responsibility to make sure all components are properly assembled and installed using the instructions provided.

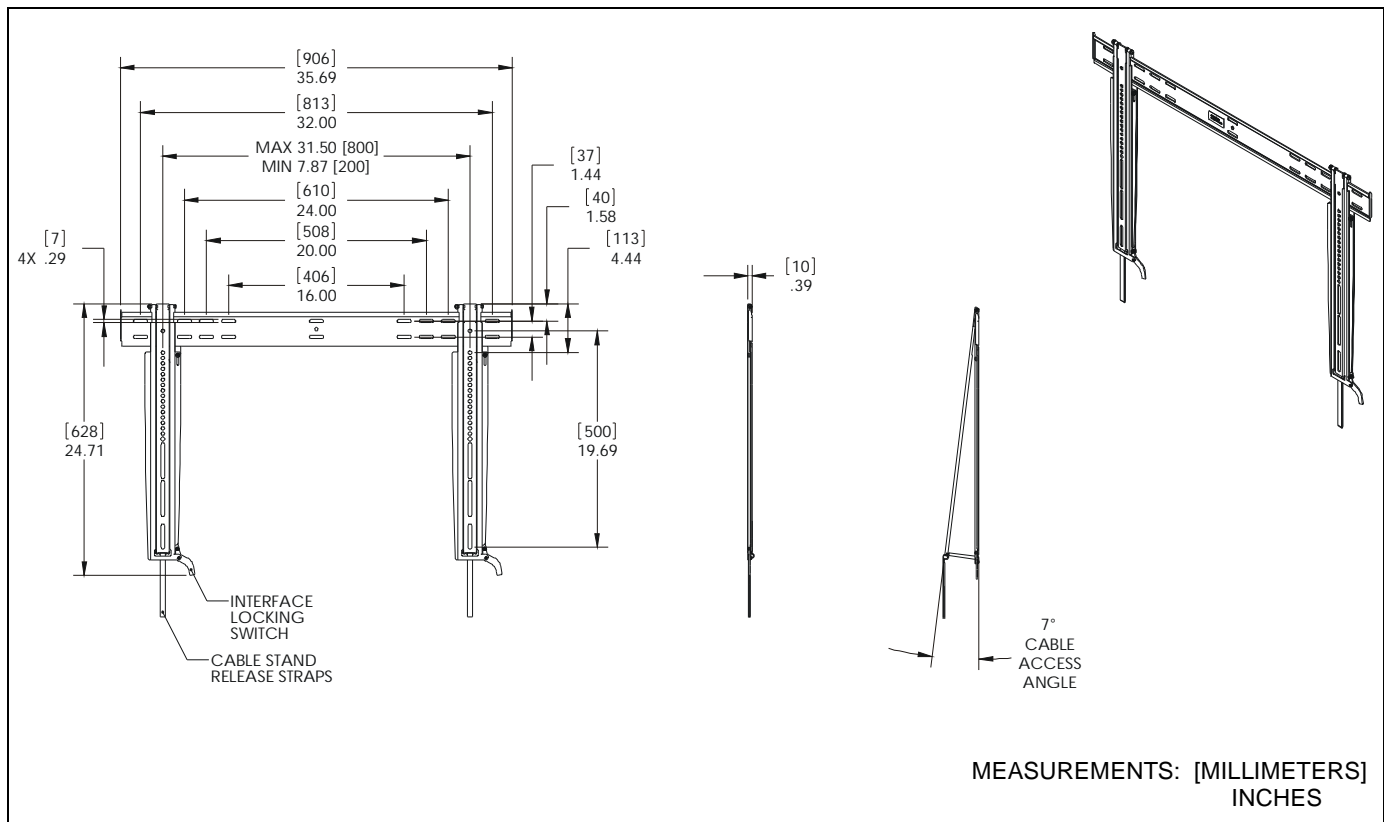
! WARNING: Failure to provide adequate structural strength for this component can result in serious personal injury or damage to equipment! It is the installer's responsibility to make sure the structure to which this component is attached can support five times the combined weight of all equipment. Reinforce the structure as required before installing the component.

! WARNING: Exceeding the weight capacity can result in serious personal injury or damage to equipment! It is the installer's responsibility to make sure the combined weight of all components located between the USM-EPL up to (and including) the display does not exceed 125 lbs (56.7 kg).

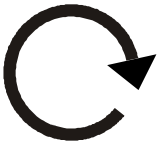

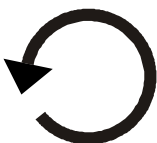


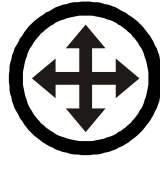






! WARNING: The depth of the display cannot exceed 5 inches (127 mm).

! WARNING: The USM-EPL fits all hole patterns between 200 x 200 mm and 800 x 500 mm.

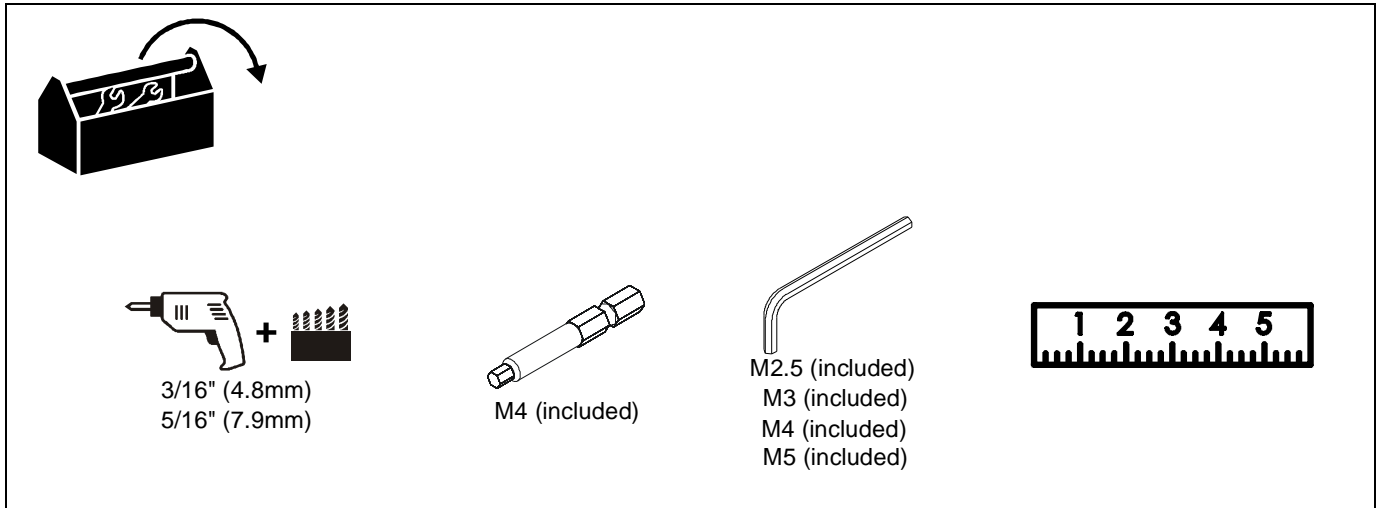
DIMENSIONS



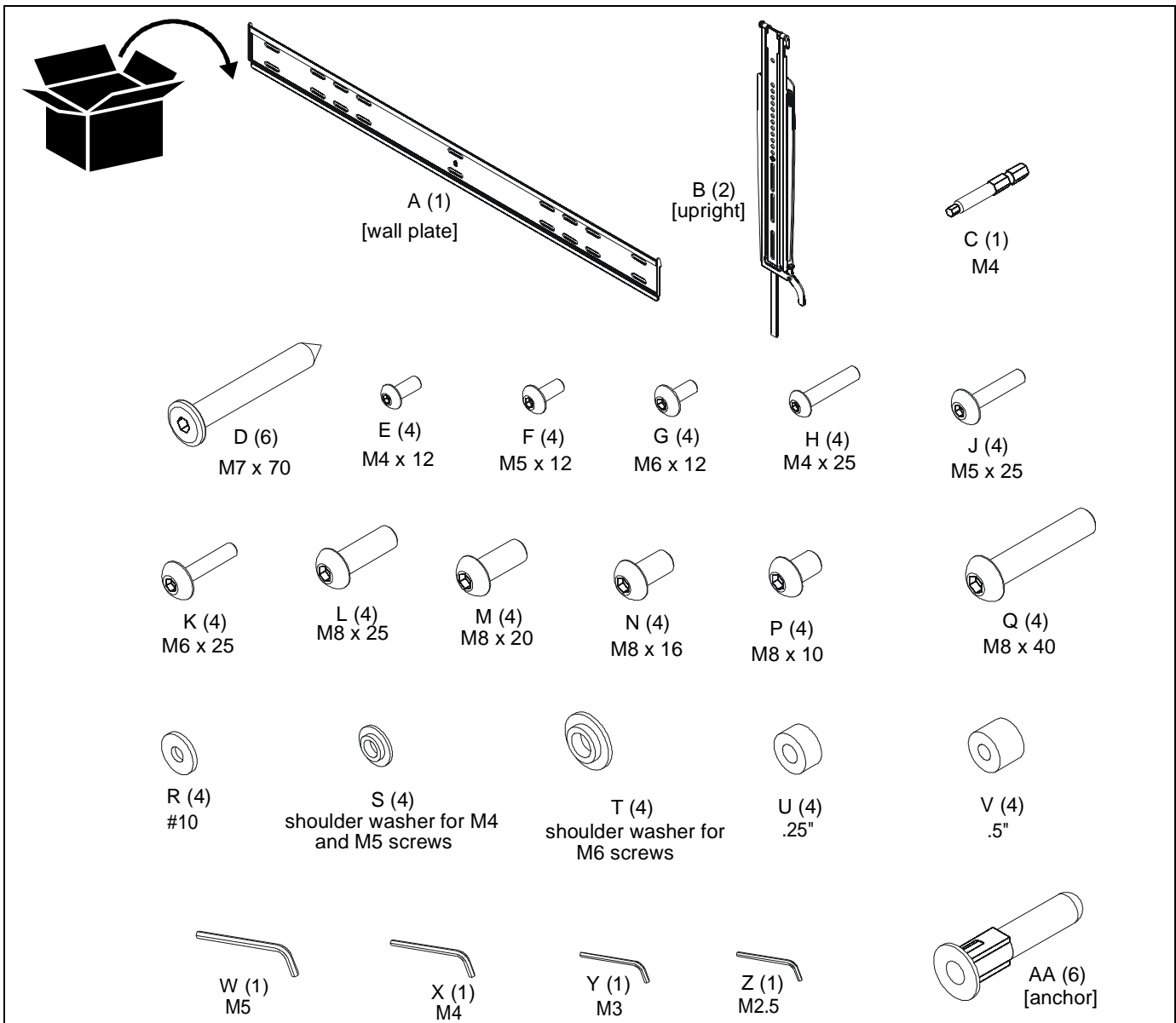
LEGEND

	<p>Tighten Fastener Apretar elemento de fijación Befestigungsteil festziehen Apertar fixador Serrare il fissaggio Bevestiging vastdraaien Serrez les fixations</p>		<p>Pencil Mark Marcar con lápiz Stiftmarkierung Marcar com lápis Segno a matita Potloodmerkteken Marquage au crayon</p>
	<p>Loosen Fastener Aflojar elemento de fijación Befestigungsteil lösen Desapertar fixador Allentare il fissaggio Bevestiging losdraaien Desserrez les fixations</p>		<p>Drill Hole Perforar Bohrloch Fazer furo Praticare un foro Gat boren Percez un trou</p>
	<p>Phillips Screwdriver Destornillador Phillips Kreuzschlitzschraubendreher Chave de fendas Phillips Cacciavite a stella Kruiskopschroevendraaier Tournevis à pointe cruciforme</p>		<p>Adjust Ajustar Einstellen Ajustar Regolare Afstellen Ajuster</p>
	<p>Open-Ended Wrench Llave de boca Gabelschlüssel Chave de bocas Chiave a punte aperte Steeksleutel Clé à fourche</p>		<p>Remove Quitar Entfernen Remover Rimuovere Verwijderen Retirez</p>
	<p>By Hand A mano Von Hand Com a mão A mano Met de hand À la main</p>		<p>Optional Opcional Optional Opcional Opzionale Optie En option</p>
	<p>Hex-Head Wrench Llave de cabeza hexagonal Sechskantschlüssel Chave de cabeça sextavada Chiave esagonale Zeskantsleutel Clé à tête hexagonale</p>		<p>Security Wrench Llave de seguridad Sicherheitsschlüssel Chave de segurança Chiave di sicurezza Veiligheidssleutel Clé de sécurité</p>

TOOLS REQUIRED FOR INSTALLATION



PARTS



Assembly And Installation

Wall Plate Installation Using Wood Studs

1. Determine location for mount keeping in mind display size and safety requirements.
2. Use stud finder to locate studs. Wall plate can be mounted on studs either 16", 20" or 24" apart for double-stud mounting. For triple-stud mounting, studs must be 16" apart.
3. Remove and discard two plastic shipping parts from the wall plate (one from each end). (See Figure 1)

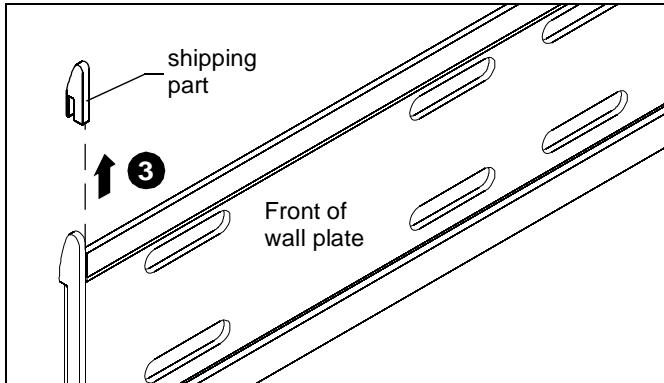


Figure 1

4. Using wall plate as template, mark and then drill four or six (for triple-stud mounting) 3/16" diameter pilot holes through mounting surface, making sure the holes are centered in the middle of each stud. Holes must be drilled at least 2-1/4" deep. (See Figure 2)
5. Install four or six connector screws (D) through wall plate and into pilot holes using M4 Allen Head bit (C). (See Figure 2)

Wall Plate Installation into Concrete, Concrete Block or Brick

1. Determine location for mount keeping in mind display size and safety requirements.
2. Using wall plate as a template, mark and then drill six 5/16" diameter pilot holes through mounting surface. Use level to make sure wall plate is perfectly horizontal. Holes must be drilled at least 2-1/4" deep. (See Figure 3)
3. Install six anchors (AA) into pilot holes drilled in Step 2. Use a hammer to lightly tap anchors into holes. (See Figure 3)
4. Install six connector screws (D) through wall plate holes and into anchors. (See Figure 3)

Display Installation

1. Lay display face side down on a level, non-abrasive surface. Lay down a cloth if necessary to avoid scratching the screen.
2. Position two interface brackets (B) over holes in back of display to determine which holes will be used for installation.

NOTE: Interface brackets should be positioned so that the diamond hole in the bracket is located halfway between the installation holes in order to ensure proper weight distribution.

NOTE: Spacers may not be required depending on the type of display being mounted. They will typically only be used with recessed or bump-out back screens.

NOTE: Cable management pull straps should be easily accessible underneath the display. Length of straps can be adjusted if necessary.

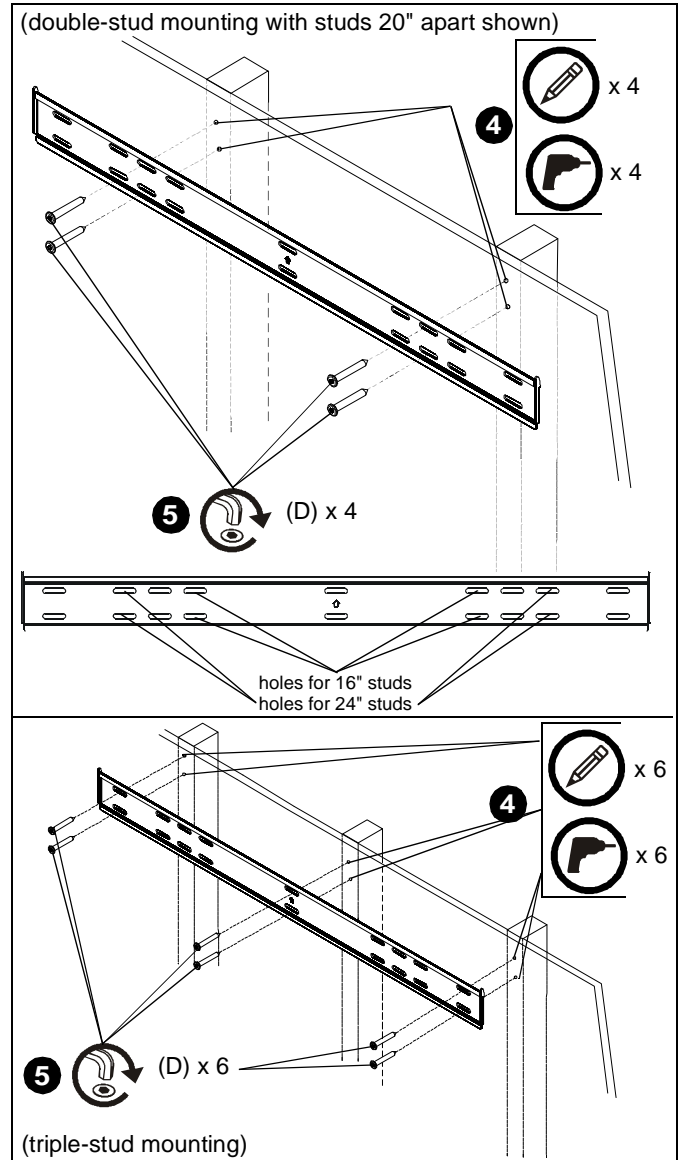


Figure 2

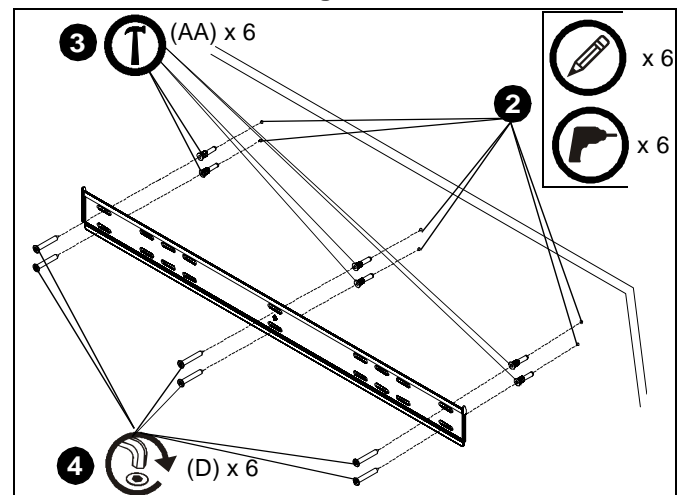


Figure 3

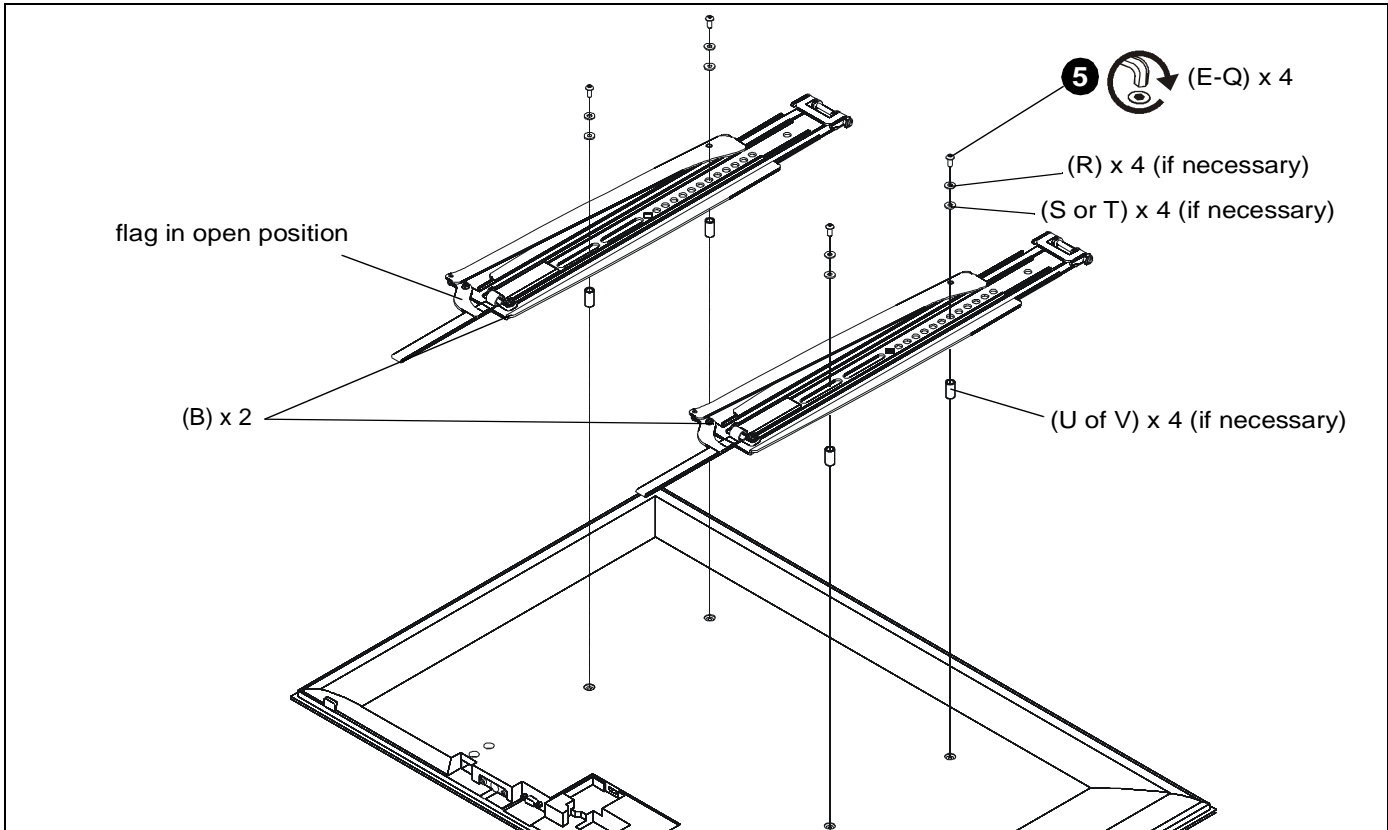


Figure 4

3. Determine which screws to use to connect interface brackets to display. Use the screws that fit into the holes on the back of the display. Make sure screws can make at least three full turns into mounting holes. If not, select longer screw from hardware kit.
4. Determine which washers and shoulder washers to use with the corresponding screw. Refer to table below for details.

Screw Size	Washers	Shoulder Washers
M4	use R	use S
M5	use R	use S
M6	none	use T
M8	none	none

5. Install four button head cap screws (E-Q) through required washers (R) and shoulder washers (S or T), interface brackets (B), spacers (U or V) and into holes on back of display. (See Figure 4)

WARNING: IMPROPER INSTALLATION CAN LEAD TO MOUNT FALLING CAUSING SEVERE PERSONAL INJURY OR DAMAGE TO EQUIPMENT. Displays can weigh in excess of 40 lbs (18.1 kg). ALWAYS use two people and proper lifting techniques when installing display.

WARNING: Exceeding the weight capacity can result in serious personal injury or damage to equipment! It is the installer's responsibility to make sure the combined weight of all components located between the USM-EPL up to (and including) the display does not exceed 125 lbs (56.7 kg).

NOTE: Make sure locking flags are in the open position before attaching display to wall plate. Flags are shown in the open position in Figure 4.

NOTE: Display can be adjusted horizontally as long as guide hooks are securely attached to wall plate.

IMPORTANT ! : If spacers are required, be sure to use screws that are longer than the spacers but of the same diameter!

6. While supporting both sides of display, lift display up to the wall plate on the wall.
7. Slowly guide hooks on top of interface brackets on top of wall plate in desired mounting location. (See Figure 5)
8. Slowly swing display toward wall. (See Figure 5)
9. Slowly pull bottom of display away from wall until kickstand fully reaches its down position. (See Figure 7)
10. Slowly release display until kickstand locks against bottom of mount.
11. Rotate flags on each interface bracket to the closed position in order to lock brackets to wall plate. (See Figure 6)

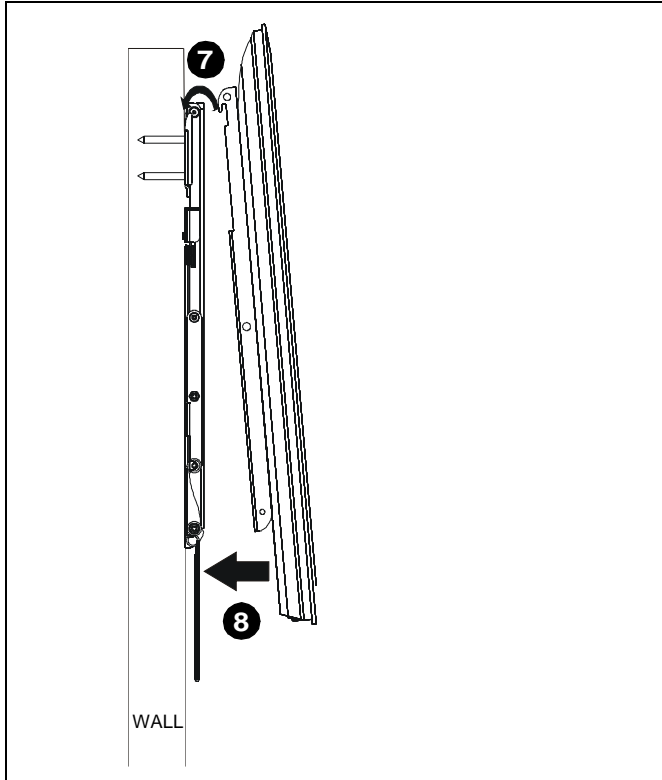


Figure 5

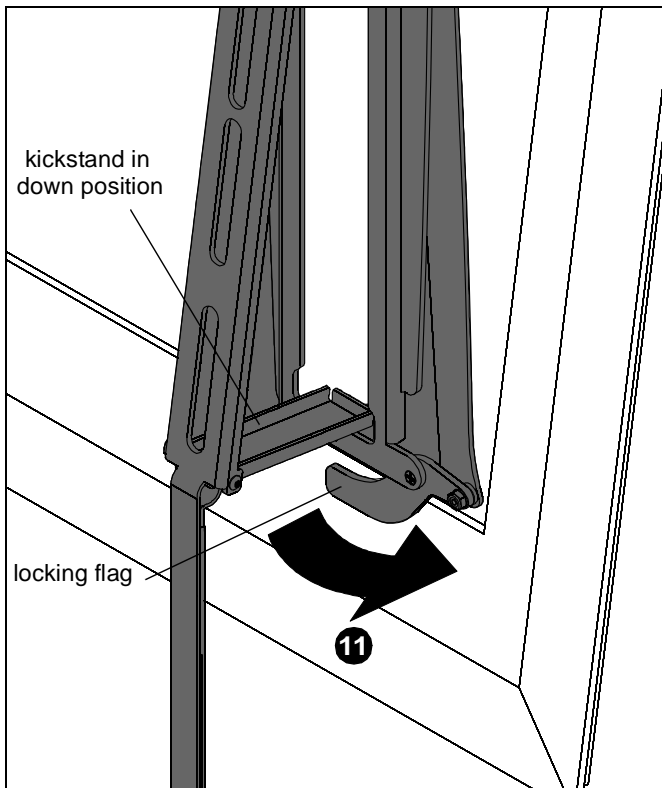


Figure 6

NOTE: Flags should stay in locked position unless removing display from wall bracket.

Cable Management

NOTE: For attaching and adjusting cables, the USM-EPL mount features a kickstand to allow access without having to remove display from the wall.

1. Ensure kickstand is firmly in down position.
2. Attach or adjust cables as necessary on back of display.
3. To disengage kickstand, slightly pull display away from wall and pull down on cable management straps to release kickstand. Slowly allow display to return to the wall. (See Figure 7)

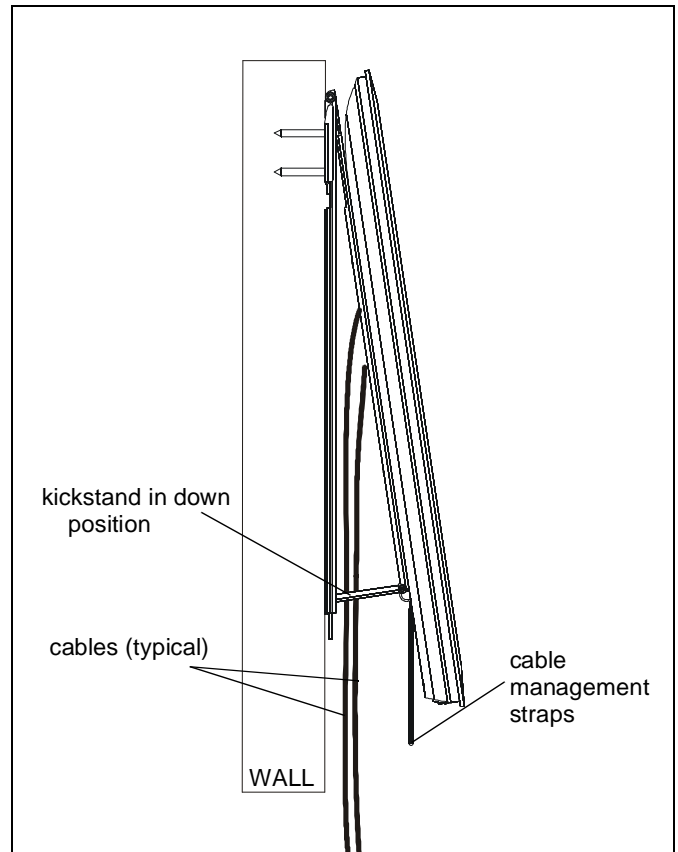


Figure 7

NOTE: Due to the low-profile design of this mount, displays with cable connections coming straight out of the back may require 90-degree cable connectors.

NOTE: Certain displays may have limited space available for cable management.



8832-002057 Rev00
©2010 Planar Systems, Inc.
www.planar.com
12/10

Planar Systems, Inc.
1195 NW Compton Drive
Beaverton, OR 97006-1992
1-866-752-6271
ts@planar.com

