
INSTRUCTION MANUAL

Samsung Table Stand MSP-PSSEALTM295W, MSP-PSSEALTM325W, MSP-PSSEALTM405W & MSP-PSSEALTM406W

The Samsung table stand is designed to securely mount a Samsung small flat panel display.



(MSP-PSSEALTM295W
shown for reference)

BEFORE YOU BEGIN

- **CAUTION:** To prevent damage to the stand, which could affect or void the Factory warranty, thoroughly study all instructions and illustrations before you begin to install or operate the unit. Pay particular attention to the "Important Precautions" on Page 1.
- If you have any questions about this assembly, contact Chief Manufacturing at 1-800-582-6480 or 952-582-6480.



CHIEF MANUFACTURING INC.
1-800-582-6480 952-894-6280 FAX 952-894-6918
12800 HIGHWAY 13 SOUTH, SUITE 500
SAVAGE, MINNESOTA 55378 USA

PART NO. 8832-000005 (Rev. B)
©2003 Chief Manufacturing
www.chiefmfg.com
Printed in USA 01-04



IMPORTANT WARNINGS and CAUTIONS!

- WARNING:** A **WARNING** alerts you to the possibility of serious injury or death if you do not follow the instructions.
- CAUTION:** A **CAUTION** alerts you to the possibility of damage or destruction of equipment if you do not follow the corresponding instructions.
- **WARNING: Improper installation can result in serious personal injury! Make sure that the structural members can support a redundant weight factor *five times* the total weight of the equipment: if not, reinforce the structure before installing the table stand.**
 - **WARNING: Be aware also of the potential for personal injury or damage to the unit if it is not adequately mounted.**
 - **CAUTION:** Inspect the unit for shipping damage.
 - **CAUTION:** Do not use cleanser or harsh cleaning agents on displays.

TOOLS REQUIRED FOR INSTALLATION

- Phillips screwdriver

NOTE: Other tools may be required depending on the method of installation.

CONTENTS

INSPECT PARTS BEFORE ASSEMBLY	2
DISPLAY PREPARATION PROCEDURES (If Applicable)	3
STAND ATTACHMENT PROCEDURES	3
STAND ADJUSTMENT	4

INSPECT PARTS BEFORE ASSEMBLY

Remove and Inspect the Stand

1. Open shipping container, remove unit from container, and remove wooden shipping base.
2. Carefully inspect the stand for shipping damage. If any damage is apparent, call your carrier claims agent and do not continue with the assembly procedure until the carrier has reviewed the damage.

NOTE: Read all assembly instructions before starting assembly.

3. Carefully inspect all components for damage (See table 1 and Figure 1).

Table 1:

Item #	Description	Quantity
1	Stand Assembly	1
2	Cover (installed)	1
3	Screw, security, flat head, M4 (installed)	4
4	Screw, security, button head, M4 X 25mm	4
5	Screw, security, button head, 1/4-20 X 1.25"	4
6	Washer, rubber	8
7	Washer, steel	4
8	Wrench, Allen, security	1

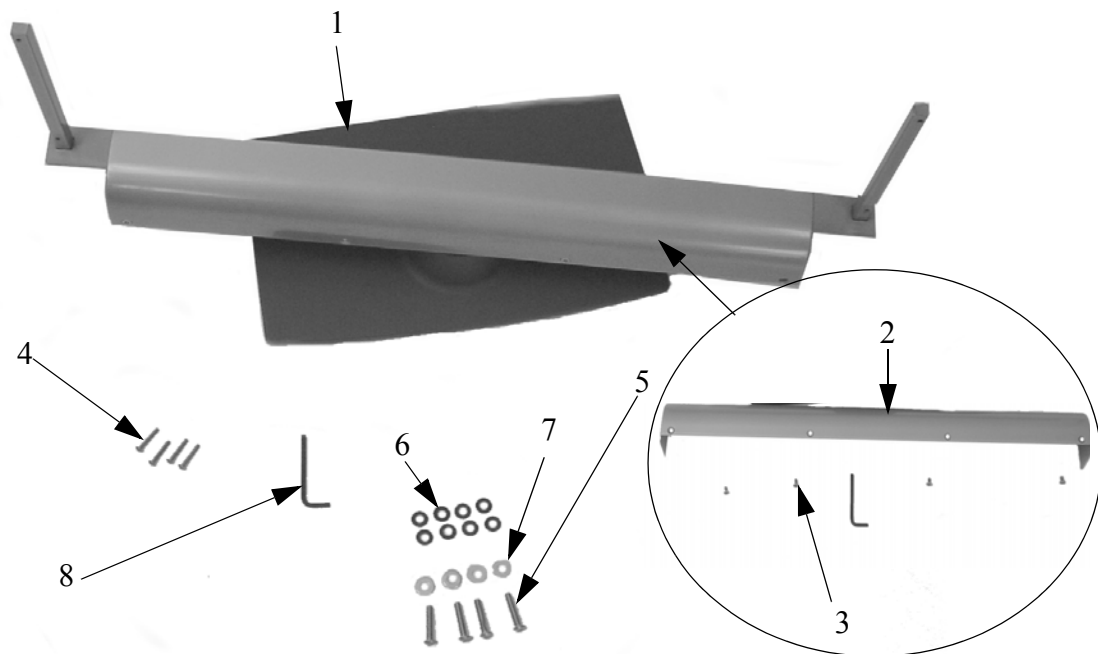


Figure 1. Parts

DISPLAY PREPARATION PROCEDURES (LTM 295W only)

Prepare the display for installation as follows:

1. Using a Phillips screwdriver, remove the four pan head screws securing the stand to the display (located on the rear panel of the display).
2. Remove table stand from display.

STAND ATTACHMENT PROCEDURES

Secure the stand as follows:

1. Using security Allen wrench (8) supplied, remove four M4 flat head security screws (3) securing cover (2) to stand assembly (1) and remove cover (see Figure 1 and Figure 2).

NOTE: Rubber washers must be installed between the bottom of the stand assembly base and the furniture top surface.

2. Secure stand assembly to table using four 1/4-20 X 1.25" button head security screws (5), four steel washers (6) and eight rubber washers (7) (see Figure 3).
3. Route cables through base of stand assembly (see Figure 2 and Figure 3).
4. Install flat panel display on stand assembly (see Figure 4 and Figure 5) and secure using four M4 X 25mm security screws (4).
5. Attach cabling to flat panel display.

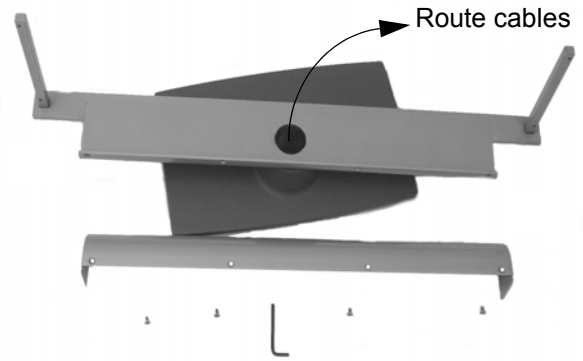


Figure 2. Remove Screws Securing Cover

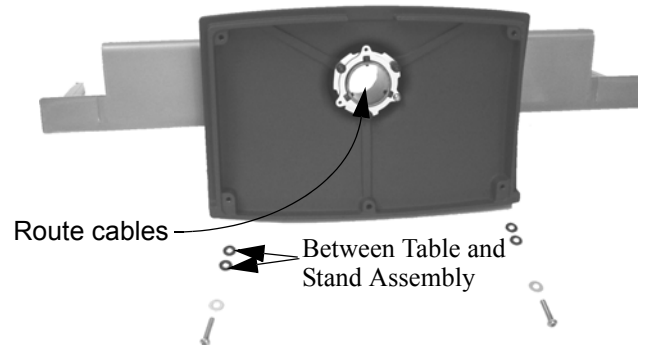


Figure 3. Secure Stand Assembly

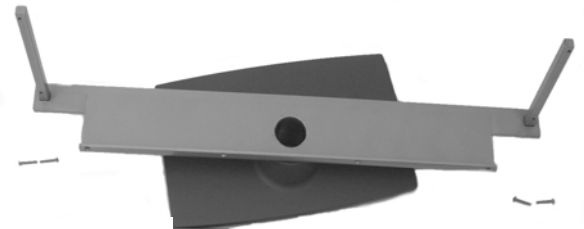


Figure 4. Stand Assembly with Display Attaching Hardware



Figure 5. Stand Assembly with Display Attached

- Using security wrench (8) supplied, install cover (2) on stand assembly (1) using four screws (3) (see Figure 6 and Figure 7).

STAND ADJUSTMENT

Adjust stand tension as follows:

- With stand assembly secured to table and display mounted check swivel tension.
- Using access hole in bottom of table and security wrench, slightly tighten or loosen adjustment screws on stand assembly (see Figure 7).
- Repeat Step 1 and Step 2 as necessary.

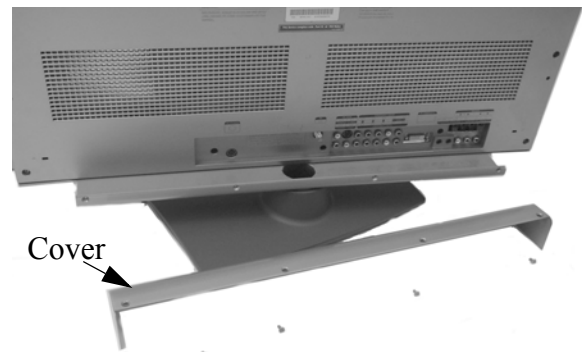


Figure 6. Install Cover

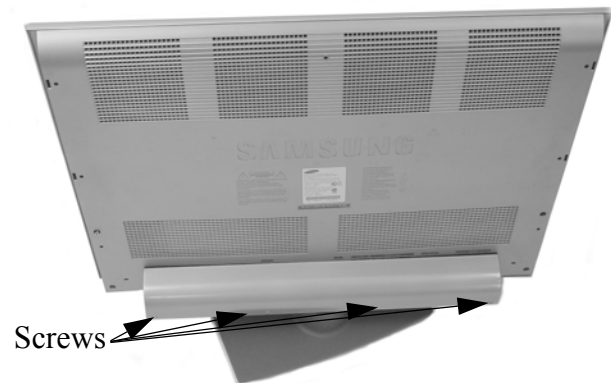


Figure 6. Cover Installed

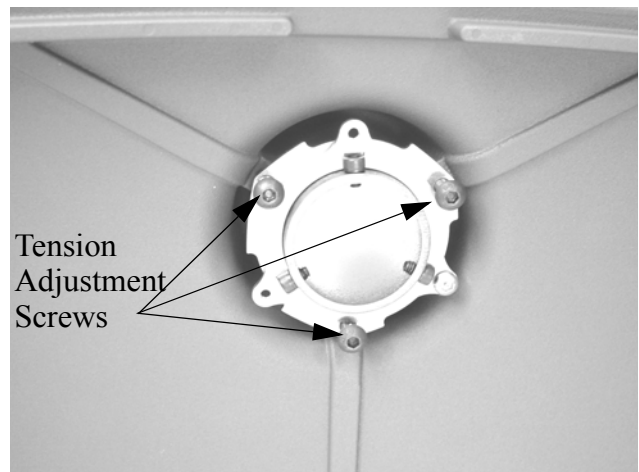


Figure 7. Tension Adjustment Screws