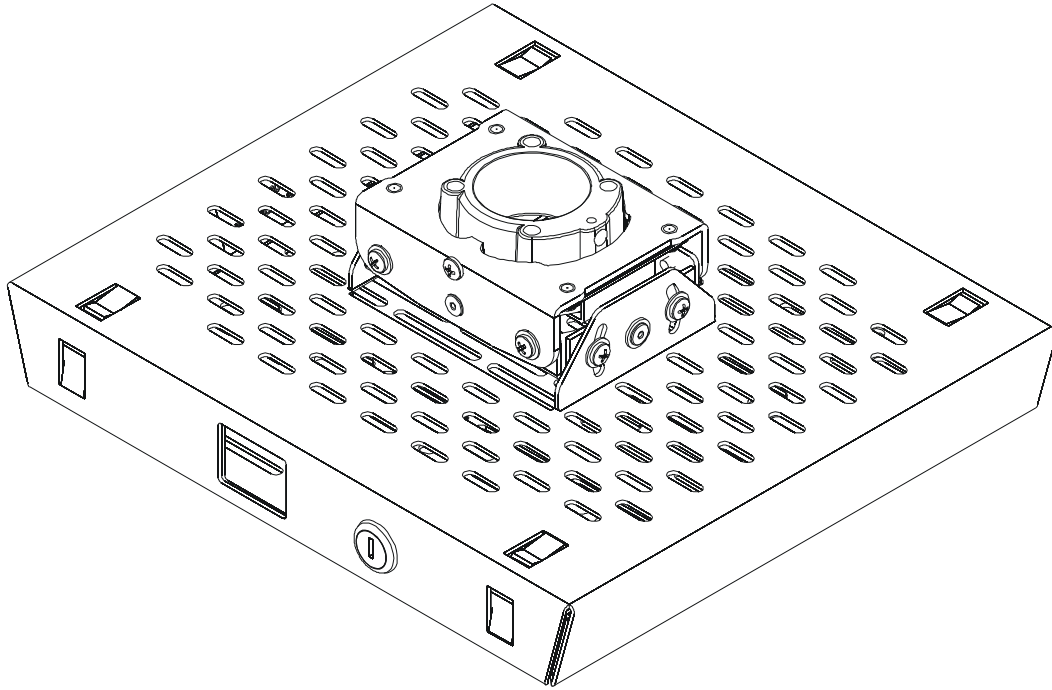

INSTALLATION INSTRUCTIONS



Locking Projector Mount

DISCLAIMER

Milestone AV Technologies and its affiliated corporations and subsidiaries (collectively "Milestone"), intend to make this manual accurate and complete. However, Milestone makes no claim that the information contained herein covers all details, conditions or variations, nor does it provide for every possible contingency in connection with the installation or use of this product. The information contained in this document is subject to change without notice or obligation of any kind. Milestone makes no representation of warranty, expressed or implied, regarding the information contained herein. Milestone assumes no responsibility for accuracy, completeness or sufficiency of the information contained in this document.

Chief® is a registered trademark of Milestone AV Technologies. All rights reserved.

! IMPORTANT WARNINGS AND CAUTIONS!

! WARNING: A WARNING alerts you to the possibility of serious injury or death if you do not follow the instructions.

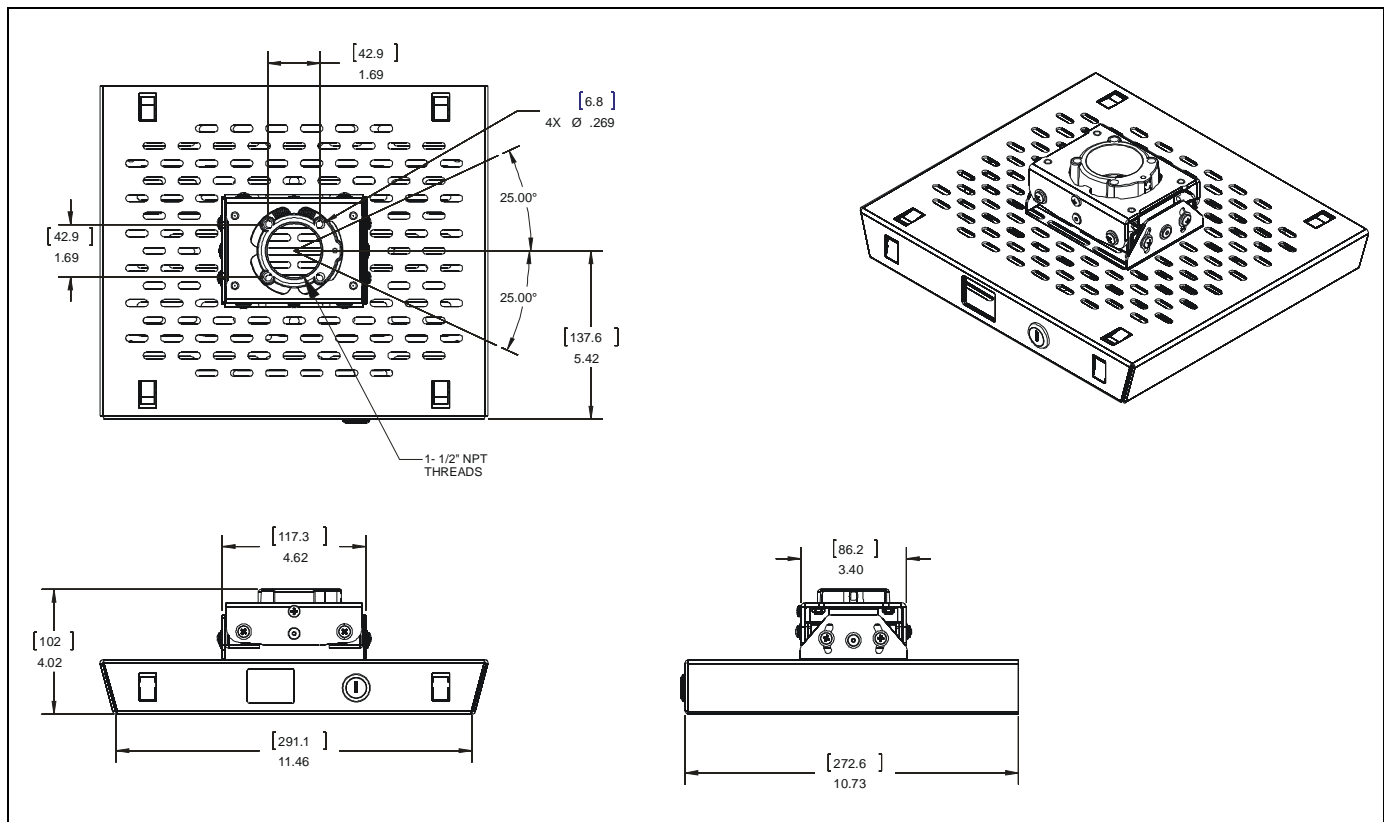
! CAUTION: A CAUTION alerts you to the possibility of damage or destruction of equipment if you do not follow the corresponding instructions.

! WARNING: Failure to read, thoroughly understand, and follow all instructions can result in serious personal injury, damage to equipment, or voiding of factory warranty! It is the installer's responsibility to make sure all components are properly assembled and installed using the instructions provided.

! WARNING: Failure to provide adequate structural strength for this component can result in serious personal injury or damage to equipment! It is the installer's responsibility to make sure the structure to which this component is attached can support five times the combined weight of all equipment. Reinforce the structure as required before installing the component.

! WARNING: Exceeding the weight capacity can result in serious personal injury or damage to equipment! It is the installer's responsibility to make sure the combined weight of all components does not exceed 50 lbs (22.68 kg).

DIMENSIONS



LEGEND

	Tighten Fastener
	Apretar elemento de fijación
	Befestigungsteil festziehen
	Apertar fixador
	Serrare il fissaggio
	Bevestiging vastdraaien
	Serrez les fixations

	Loosen Fastener
	Aflojar elemento de fijación
	Befestigungsteil lösen
	Desapertar fixador
	Allentare il fissaggio
	Bevestiging losdraaien
	Desserrez les fixations

	Phillips Screwdriver
	Destornillador Phillips
	Kreuzschlitzschraubendreher
	Chave de fendas Phillips
	Cacciavite a stella
	Kruiskopschroevendraaier
	Tournevis à pointe cruciforme

	Open-Ended Wrench
	Llave de boca
	Gabelschlüssel
	Chave de bocas
	Chiave a punte aperte
	Steeksleutel
	Clé à fourche

	By Hand
	A mano
	Von Hand
	Com a mão
	A mano
	Met de hand
	À la main

	Hex-Head Wrench
	Llave de cabeza hexagonal
	Sechskantschlüssel
	Chave de cabeça sextavada
	Chiave esagonale
	Zeskantsleutel
	Clé à tête hexagonale

	Pencil Mark
	Marcar con lápiz
	Stiftmarkierung
	Marcar com lápis
	Segno a matita
	Potloodmerkteken
	Marquage au crayon

	Drill Hole
	Perforar
	Bohrloch
	Fazer furo
	Praticare un foro
	Gat boren
	Percez un trou

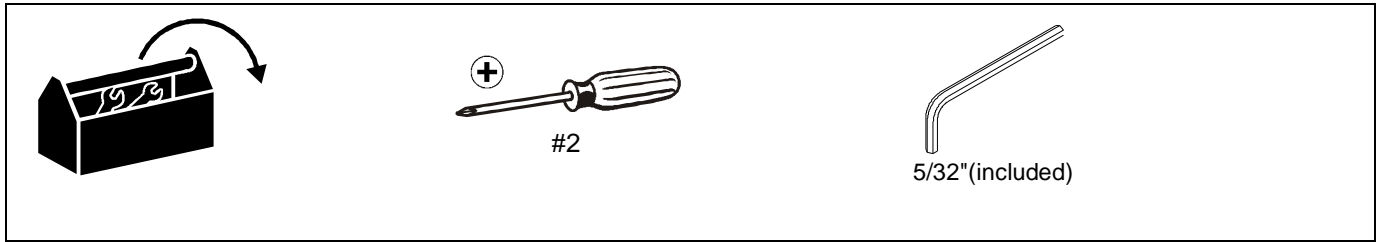
	Adjust
	Ajustar
	Einstellen
	Ajustar
	Regolare
	Afstellen
	Ajuster

	Remove
	Quitar
	Entfernen
	Remover
	Rimuovere
	Verwijderen
	Retirez

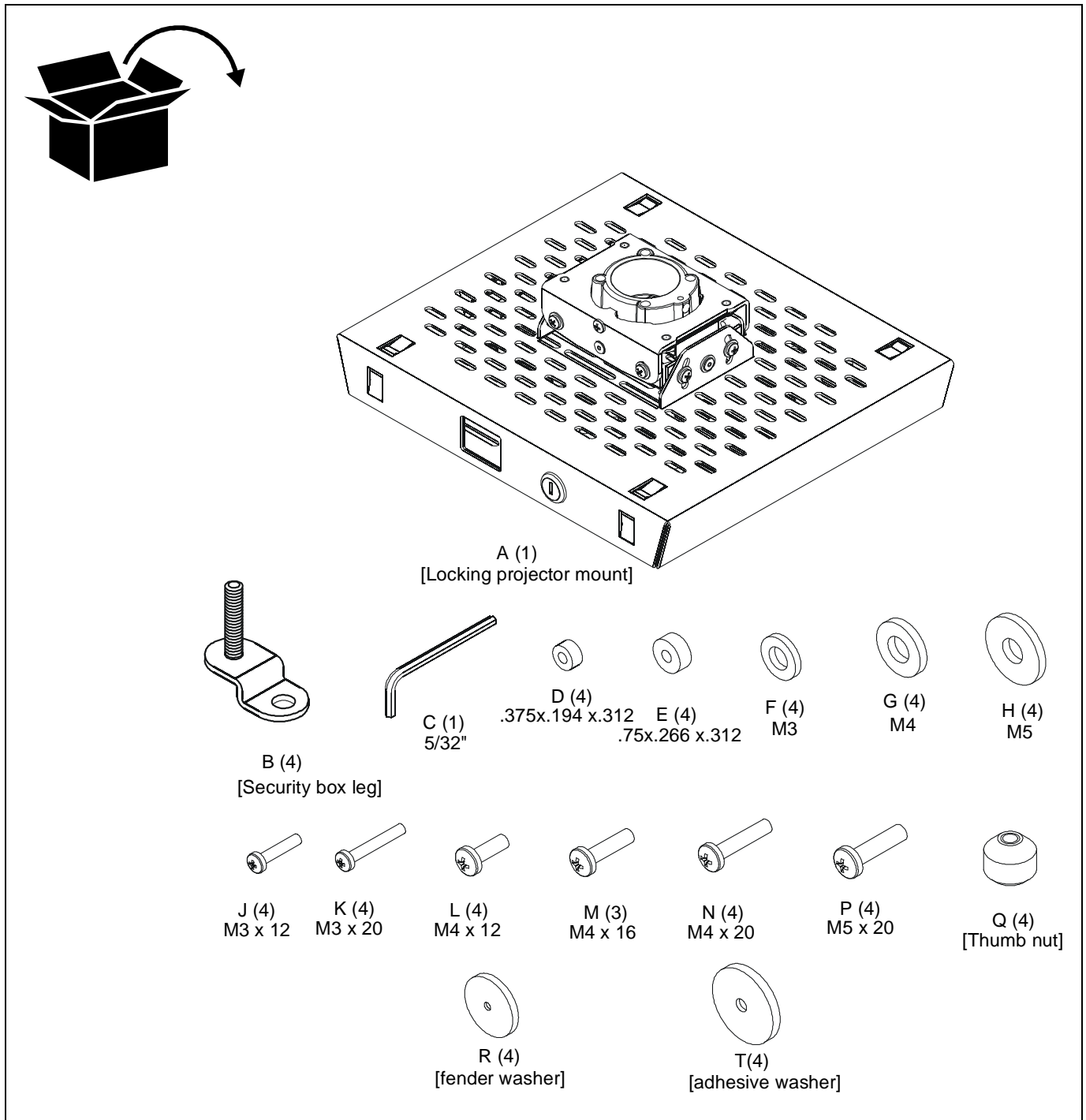
	Optional
	Opcional
	Optional
	Opcional
	Opzionale
	Optie
	En option

	Security Wrench
	Llave de seguridad
	Sicherheitsschlüssel
	Chave de segurança
	Chiave di sicurezza
	Veiligheidssleutel
	Clé de sécurité

TOOLS REQUIRED FOR INSTALLATION



PARTS



ASSEMBLY AND INSTALLATION

Installing Threaded Pipe and MSP-RPAA2W Outer Sleeve



WARNING: IMPROPER INSTALLATION CAN RESULT IN SERIOUS PERSONAL INJURY OR DAMAGE TO EQUIPMENT! Structural members **MUST** be capable of supporting five times the combined weight of all equipment being installed.

1. Install ceiling plate and extension accessories following installation instruction provided by manufacturer.
2. Remove drawer from MSP-RPAA2W outer sleeve. (See Figure 1)

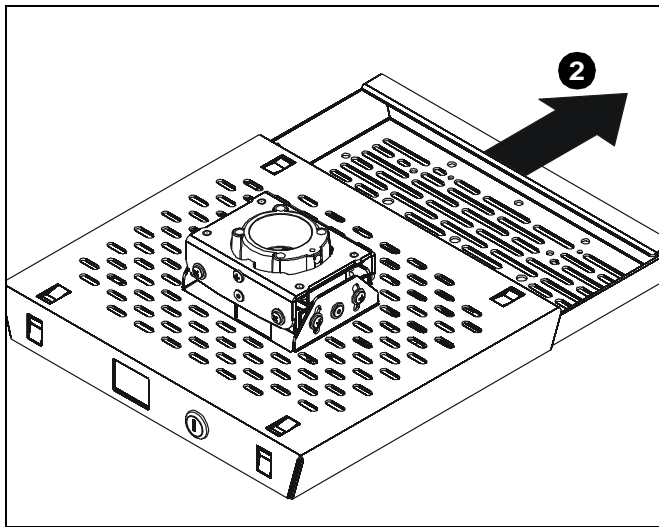


Figure 1

3. Align MSP-RPAA2W outer sleeve with end of NTP pipe. (See Figure 2)
4. Thread MSP-RPAA2W sleeve up onto pipe by turning counterclockwise until hand tight. (See Figure 2)

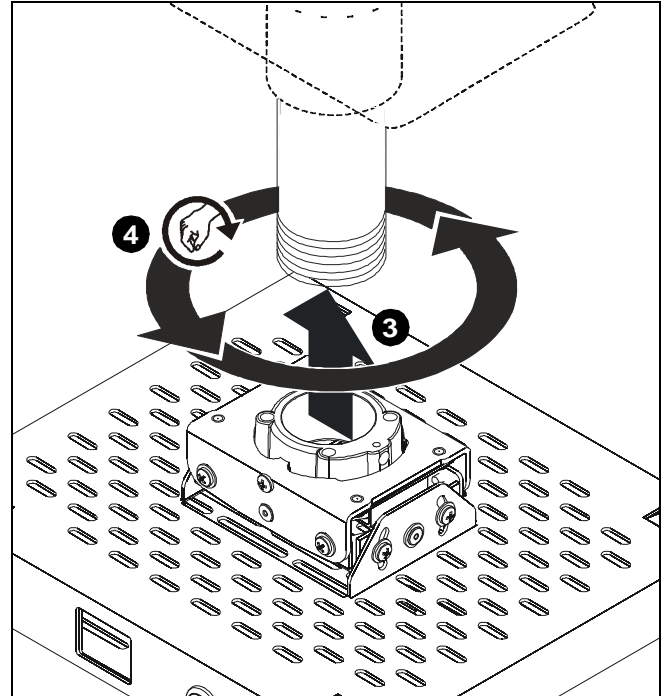


Figure 2

Rough Alignment of MSP-RPAA2W

1. Turn MSP-RPAA2W sleeve clockwise or counterclockwise until the front of the MSP-RPAA2W is facing target. (See Figure 3)

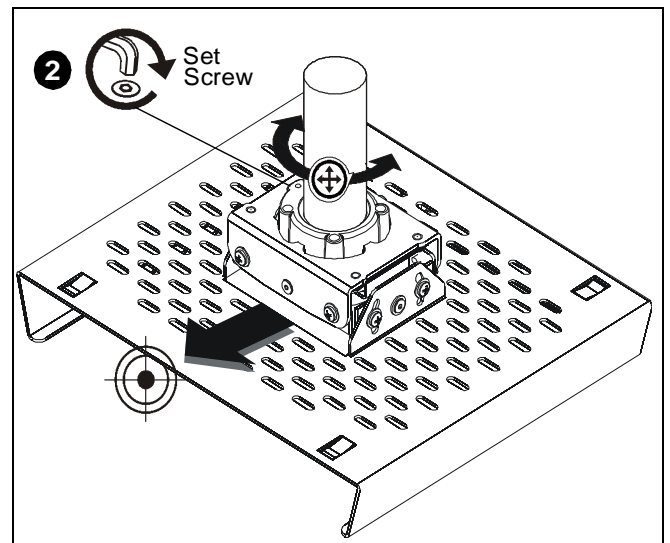


Figure 3

2. Tighten set screw. (See Figure 4)

3. Tighten security screw. (See Figure 4)

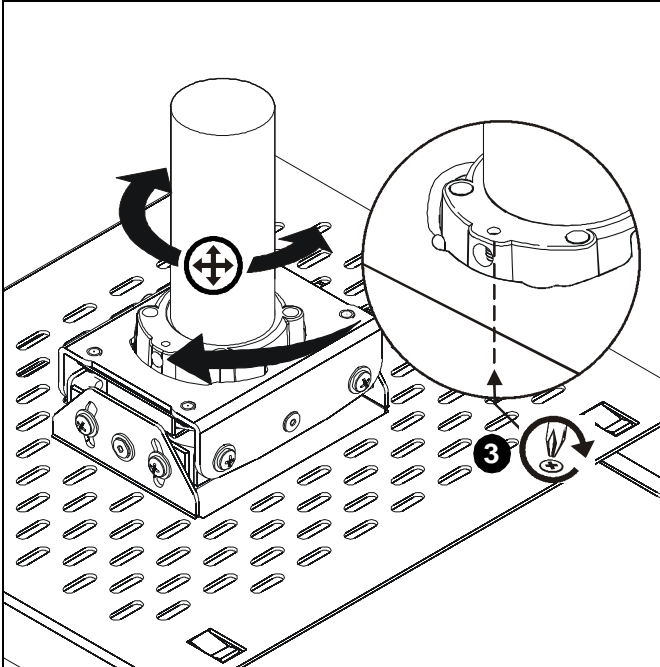


Figure 4

Attaching Projector to Security Mount Drawer

NEC VT595, NP300, NP400 or NP500 Installation

1. Align projector and security mount drawer so that the projector is oriented correctly and mounting holes are aligned. (See Figure 5)
2. Secure projector to mount using three M4 x 16mm Phillips head machine screws (M), three M4 washers (G) and three small spacers (D). Spacers should be placed between projector and mount. (See Figure 5)

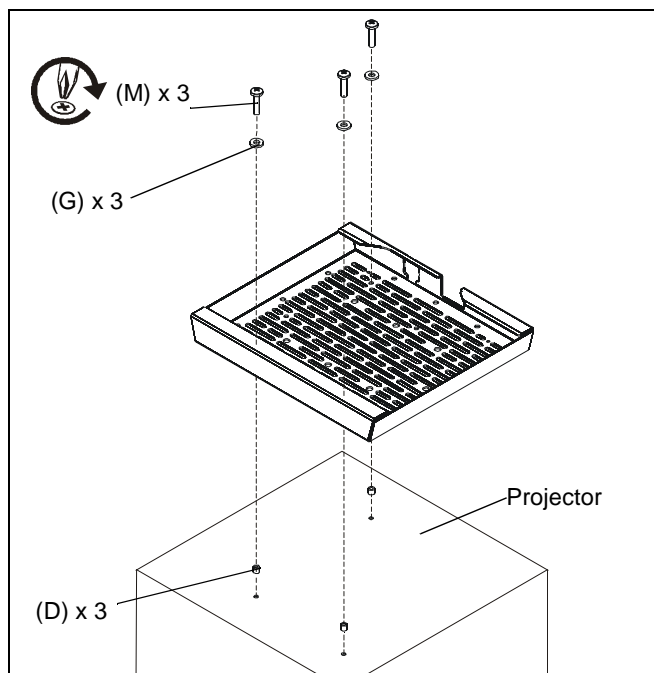


Figure 5

3. Slide the security mount drawer into the MSP-RPAA2W outer sleeve.

NEC VT800 Installation

1. Align projector and security mount drawer so that the projector is oriented correctly and mounting holes are aligned. (See Figure 6)
2. Secure projector to mount using four M3 x 20mm Phillips head machine screws (K), four M4 washers (G) and four small spacers (D). Spacers should be placed between projector and mount. (See Figure 6)

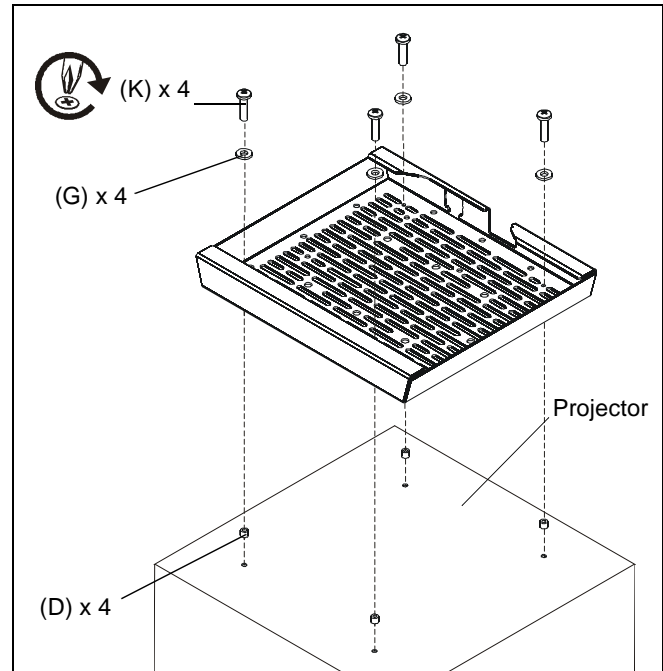


Figure 6

3. Slide the security mount drawer into the MSP-RPAA2W outer sleeve.

EPSON Installation

1. Align projector and security mount drawer so that the projector is oriented correctly and mounting holes are aligned. (See Figure 7)
2. Secure projector to mount using two M4 x 16mm Phillips head machine screws (M), two M4 washers (G) and two small spacers (D). Also orient one mounting foot (B) so that threaded end is in line with mounting hole in mount and secure foot to mount using one thumbnut (Q). Secure projector end of foot to projector using one M4 x 12mm Phillips head machine screw (L). Spacers should be placed between projector and mount. (See Figure 7)

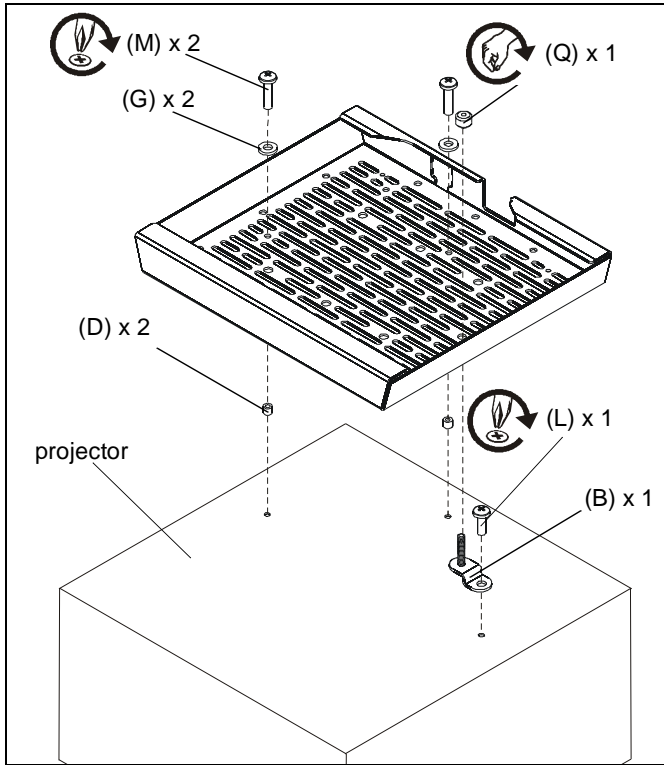


Figure 7

- Slide the security mount drawer into the MSP-RPAA2W outer sleeve.

Universal Installation for other Mounts

- Attach the projector security legs (B) to the projector, using the correct size screws (J, K, L, M, N or P) and washers (F, G or H) for your specific projector. (See Figure 8)

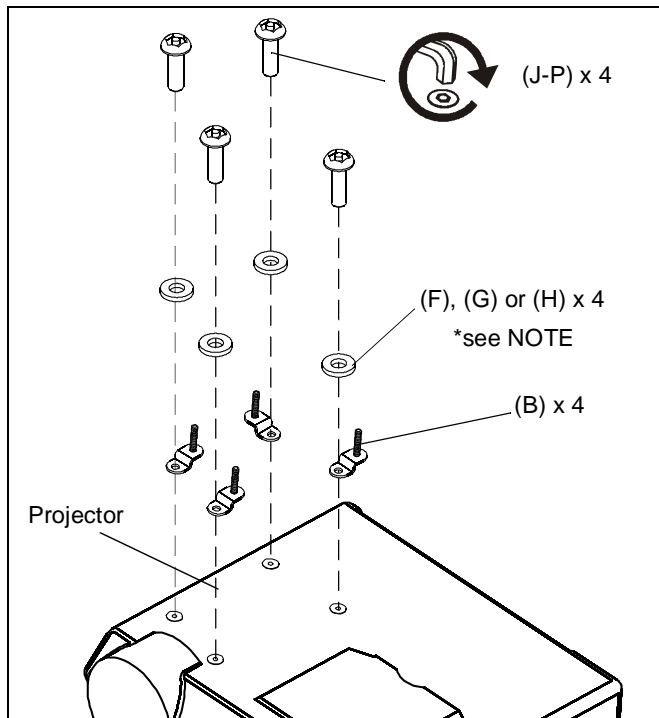


Figure 8

NOTE: Washers may be stacked in order to create more depth when installing screws into certain holes.

- Add fender washers (R) to the projector security legs (B). Add spacers (D or E) as necessary to the projector security legs (R). (See Figure 9)

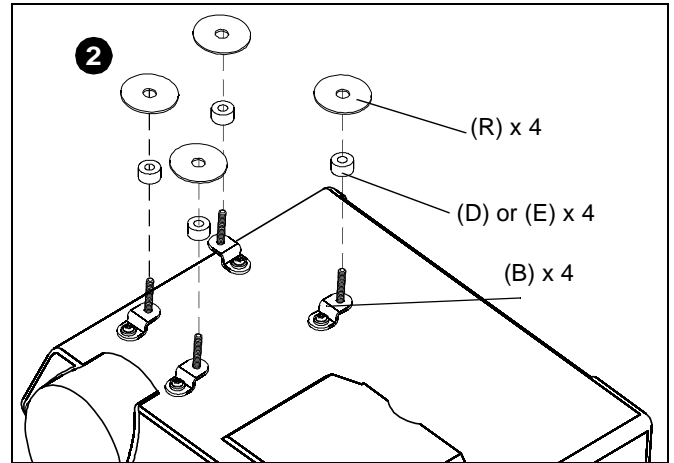


Figure 9

- Align projector and security mount drawer so that the projector is oriented correctly.
- Remove the paper backing from the adhesive washers (T) and attach projector to drawer using adhesive washers (T) and thumbnuts (Q) over the security legs (B). (See Figure 10)

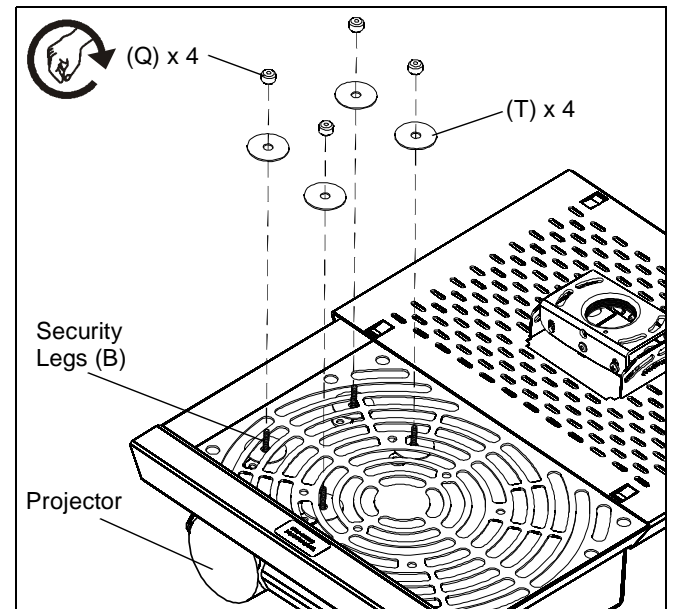


Figure 10

- Slide the security mount drawer into the MSP-RPAA2W outer sleeve.

Aligning Projector

The MSP-RPAA2W can be adjusted for vertical elevation (pitch), horizontal tilt (roll), and rotation (yaw).

Pitch

Adjust pitch using the adjustment screw on the end of the adjustment plate. (See Figure 11)

1. Loosen the adjustment screws.
2. Adjust projector angle to desired pitch.
3. Tighten adjustment screws.

Roll

Adjust roll using the two adjustment screws on the back of the adjustment plate. (See Figure 11)

4. Loosen the two adjustment screws.
5. Adjust projector to desired roll.
6. Tighten adjustment screws.

Yaw

Adjust yaw using the adjustment screw on the back of the adjustment plate. (See Figure 11)

7. Loosen the adjustment screw.
8. Adjust projector to desired yaw.
9. Tighten adjustment screw.

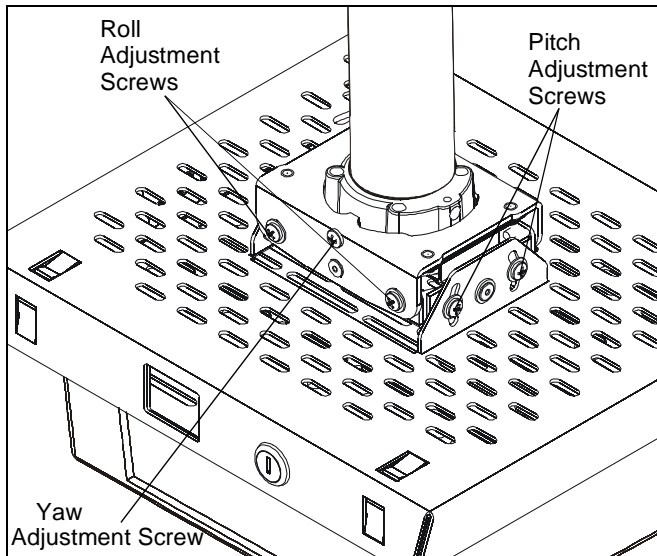


Figure 11

Locking the MSP-RPAA2W

After all installation and adjustment steps have been completed, lock the MSP-RPAA2W. (See Figure 12)

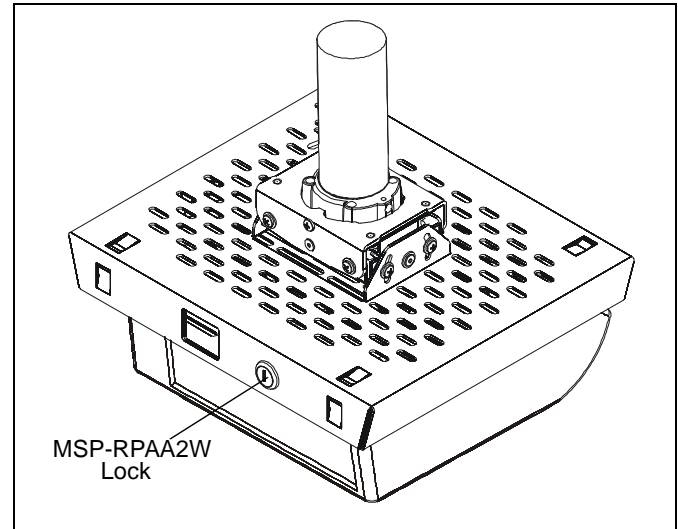


Figure 12



Our Mounts. Your Vision.

Chief Manufacturing, a products division
of Milestone AV Technologies

8803-002007 Rev00

©2009 Milestone Technologies, a
Duchossois Group Company

www.chiefmfg.com

09/09

USA/International A 8401 Eagle Creek Parkway, Savage, MN 55378
P 800.582.6480 / 952.894.6280
F 877.894.6918 / 952.894.6918

Europe A Fellenoord 130 5611 ZB EINDHOVEN, The Netherlands
P +31 (0)40 2668620
F +31 (0)40 2668615

Asia Pacific A Room 24F, Block D, Lily YinDu International Building
LuoGang, BuJi Town, Shenzhen, CHINA.
深圳市布吉罗岗村百合银都国际大厦D栋24F
P +86-755-8996 9226
F +86-755-8996 9217

