

---

# INSTALLATION INSTRUCTIONS

---

## Flat Panel Dual Swing Arm Wall Mount (FWD-110) MSP-SA

The MSP-SA dual arm wall mount was designed to support flat panel displays with 10" to 30" diagonal screens and weighing a maximum of 40 lbs (18.1 kg).

At only 2.15" deep in the closed position, the mount allows side-to-side pivot adjustment up to 180 degrees in the closed and the fully extended position. A display can be extended 14.2" from the wall and pivot 360 degrees.

The MSP-SA fits the following VESA® patterns:

- 75mm/75mm (using the Centris™ mount)
- 100mm/100mm (using the Centris mount)
- 200mm/100mm (using the interface bracket with the Centris mount)



### BEFORE YOU BEGIN

---

- **Caution:** To prevent damage to the MSP-SA, which could affect or void the Factory warranty, and to the equipment that will be attached to it, thoroughly study all instructions and illustrations before you begin the installation. Pay particular attention to the "Important Warnings and Cautions" on Page 2.
- The maximum weight to be installed on the MSP-SA wall mount is 40 pounds (18.1 kg).
- The MSP-SA wall mount is designed to be installed using wall studs or supporting framework. The structure to which the MSP-SA wall mount is anchored must be capable of supporting **five times** the total weight of the mount and all attached equipment.
- If you have any questions about this installation, contact Chief Manufacturing at 1-800-582-6480.

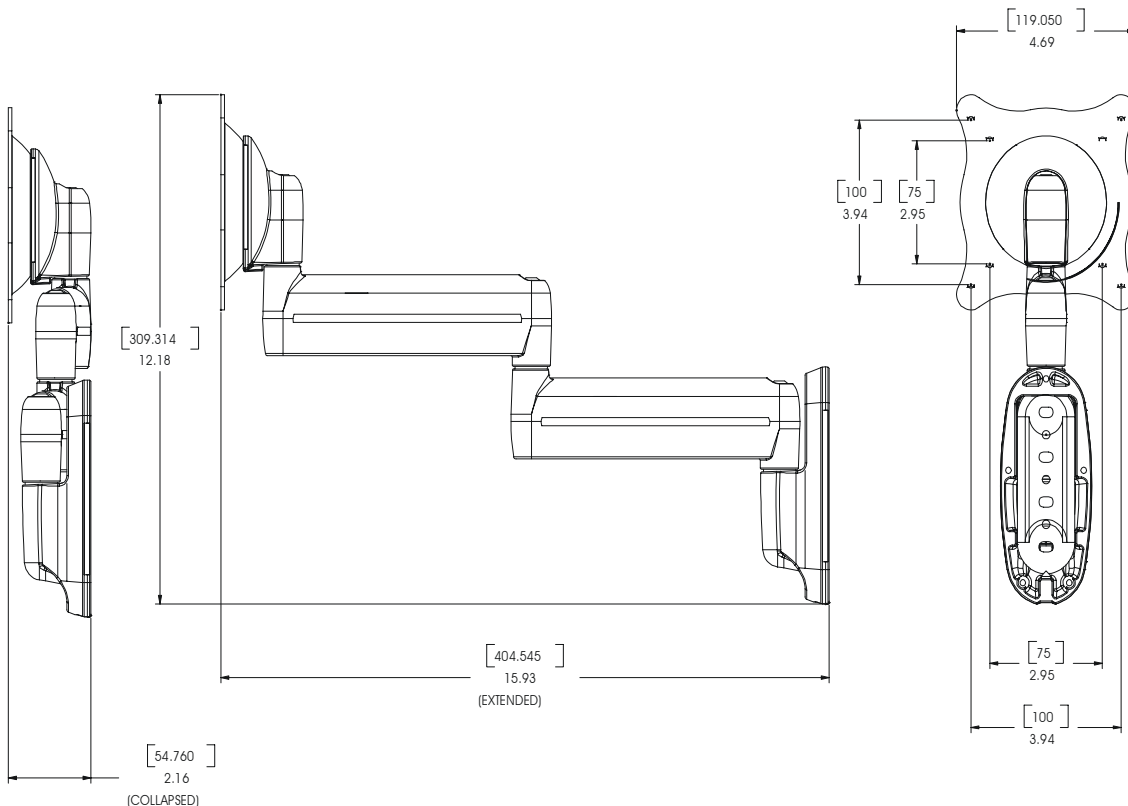
**! IMPORTANT WARNINGS AND CAUTIONS!**

**WARNING:** A **WARNING** alerts you to the possibility of serious injury or death if you do not follow the instructions.

**CAUTION:** A **CAUTION** alerts you to the possibility of damage or destruction of equipment if you do not follow the corresponding instructions.

- **WARNING:** **Improper installation can result in serious personal injury! Make sure that the structural members can support a redundant weight factor *five times* the total weight of the equipment. If not, reinforce the structure before installing the MSP-SA.**
- **WARNING:** **Be aware also of the potential for personal injury or damage to the unit if it is not adequately mounted.**
- **WARNING:** **The installer is responsible for verifying that the wall to which the MSP-SA is anchored will safely support the combined load of all attached components or other equipment.**
- **WARNING:** **The weight of the display placed on the MSP-SA must not exceed 40 lbs. (18.1 kg), the maximum load capacity of the MSP-SA.**
- **WARNING:** **Watch for pinch points. Do not put your fingers between movable parts.**
- **WARNING:** **Make sure the mount and brackets are correctly oriented.**
- **CAUTION:** Check the unit for shipping damage before you begin the installation.

**DRAWING**



## CONTENTS

IMPORTANT WARNINGS AND CAUTIONS .....	2
DRAWINGS .....	2
TOOLS REQUIRED FOR INSTALLATION .....	3
INSPECT THE UNIT BEFORE INSTALLING .....	3
INTRODUCTION .....	3
COMPONENTS .....	4
PARTS .....	5
INSTALLATION .....	6
Secure Wall Bracket .....	6
Tighten Centris Adjustment Screw.....	6
Install MSP-SA on Wall Bracket.....	7
Flush Mount – 75mm/100mm Pattern.....	8
Recessed Mount – 75mm/100mm Pattern .....	8
200mm/100mm Pattern .....	9
Installing Non-VESA Compliant Mounts .....	9
CABLE MANAGEMENT .....	10
ADJUSTMENTS .....	10
Rotational Tilt, Pitch, and Roll Adjustment.....	10
Lateral tension Adjustment .....	10

## TOOLS REQUIRED FOR INSTALLATION

- Electric drill and bit set
- Phillips Screwdriver
- Level

**NOTE:** Other tools may be required depending on the mounting surface and method of installation.

## INSPECT THE UNIT BEFORE INSTALLING

**WARNING:** Watch for pinch points. Do not put your fingers between movable parts.

1. Carefully inspect the MSP-SA for shipping damage. If any damage is apparent, call your carrier claims agent and do not continue with the installation until the carrier has reviewed the damage.

**NOTE:** Read all instructions before starting installation.

2. Lay out components to ensure you have all the required parts before proceeding (refer to Figure 1 on page 4).

## INTRODUCTION

Depending on the size of your display, select one of the following MSP-SA installation configurations:

- Install your display using the “Flush Mount – 75mm/100mm Pattern” on page 8.
- Install your display using the “Recessed Mount – 75mm/100mm Pattern” on page 8.
- Install your display using the “200mm/100mm Pattern” on page 9.
- Install your display using the “Installing Non-VESA Compliant Mounts” on page 9.

# COMPONENTS

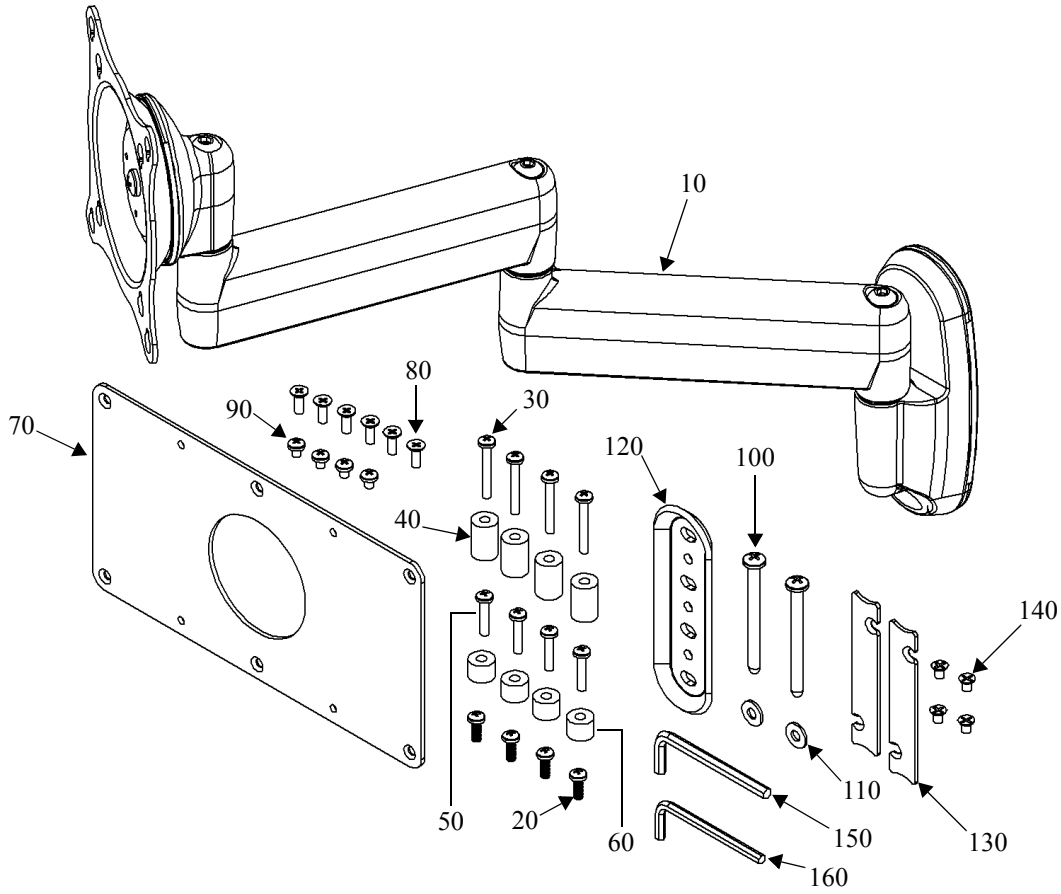


Figure 1. MSP-SA Components

## PARTS

Table 1: Parts

ITEM NUMBER	DESCRIPTION	QTY	NOTES
10	WALL MOUNT	1	
20	PHILLIPS PAN HEAD MACHINE SCREW, M4 x 12mm	4	FLUSH MOUNT
30	PHILLIPS PAN HEAD MACHINE SCREW, M4 x 30mm (USE WITH 40)*	4	RECESSED MOUNT
40	3/4" NYLON SPACER	4	
50	PHILLIPS PAN HEAD MACHINE SCREW, M4 x 20mm (USE WITH 60)**	4	
60	3/8" NYLON SPACER	4	
70	200mm x 100mm INTERFACE BRACKET (USE WITH 80 AND 90)***	1	200mm x 100mm Mtg. Hole Pattern
80	PHILLIPS FLAT HEAD MACHINE SCREW, M4 x 12mm	6	
90	PHILLIPS PAN HEAD MACHINE SCREW, M4 x 5mm	4	
100	PHILLIPS PAN WOOD SCREW, #10 x 2-1/2"	2	SINGLE STUD MOUNTED
110	WASHER	2	
120	WALL BRACKET	1	
130	COVER PLATE	2	CABLE MANAGEMENT
140	COVER PLATE FLAT HEAD SCREW	4	
150	3/16" HEX KEY	1	For Adjustments
160	5/32" HEX KEY	1	For Set Screw

**NOTES:**

- \*Use M4 x 30mm screws (30) with spacers (40) for recessed applications.
- \*\*Use M4 x 20mm screws (50) with spacers (60) for recessed applications.
- \*\*\*Use the six flat head screws (80) to mount the 200mm x 100mm interface bracket (70).  
Use four M4 x 5mm screws (90) to mount the Centris bracket to the 200mm x 100mm interface bracket (70).

## INSTALLATION

### Secure Wall Bracket

**WARNING:** It is the responsibility of the installer to verify that the surface to which the MSP-SA is anchored will safely support the combined load of all attached components and equipment.

Install the MSP-SA as follows:

1. Determine the exact mounting location prior to installation, considering the unit's swing and extension radius.

**WARNING:** Improper installation can result in serious personal injury! Make sure that the structural members can support a redundant weight factor *five times* the total weight of the equipment. If not, reinforce the structure before installing the MSP-SA.

2. Using the wall bracket (120) as a template, drill two 3/32" pilot holes to a minimum depth of 1-1/2".
3. Using two #10 x 2-1/2" wood screws (100) and two washers (110), secure the wall bracket (120). See Figure 2.
4. Check mount to insure it is level and adjust to level if necessary.
5. Make sure no power is supplied to the display before attempting to mount the display.
6. Remove four screws (supplied) from the back of your display (see Figure 3).

### Tighten Centris Adjustment Screw

1. Check adjustment screw on the Centris mount interface to ensure that the screw is tight. See Figure 4.
2. If needed, use a Phillips screwdriver to tighten the screw.

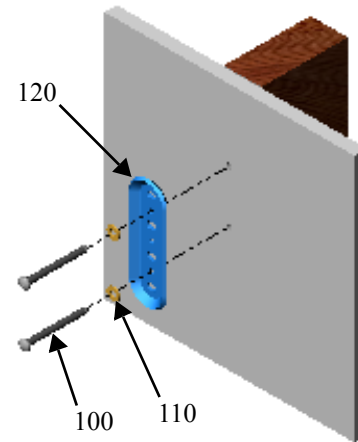


Figure 2. Secure Wall Bracket

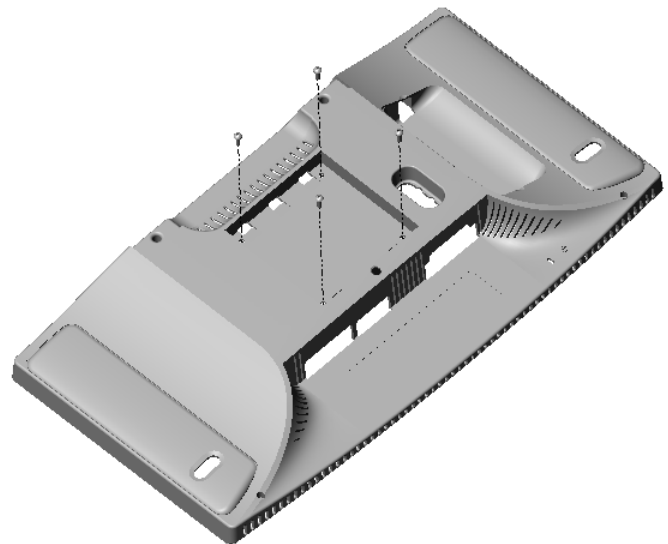


Figure 3. Remove Screws

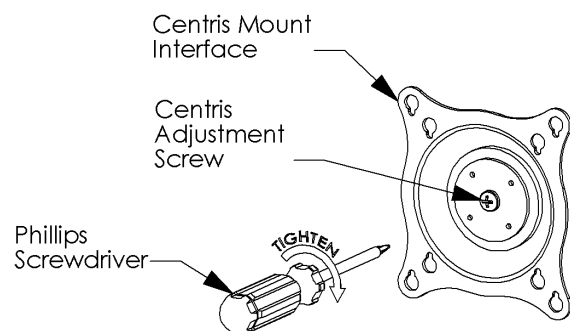


Figure 4. Tighten Centris Adjustment Screw

## Install MSP-SA on Wall Bracket

1. Install the MSP-SA on the wall bracket by placing the top of the MSP-SA over the top of the wall bracket and pushing the bottom of the MSP-SA over the bottom of the wall bracket (see Figure 5).
2. Using the 5/32" hex wrench (160), secure the MSP-SA to the wall bracket by tightening the set screw (see Figure 6).

NOTE: Refer to the "INTRODUCTION" on page 3 to determine the correct procedure to mount your display using the applicable VESA mounting-hole pattern configuration.

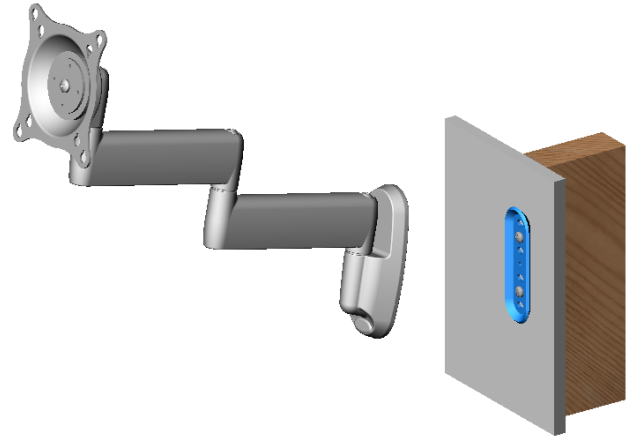


Figure 5. Install MSP-SA on Wall Bracket

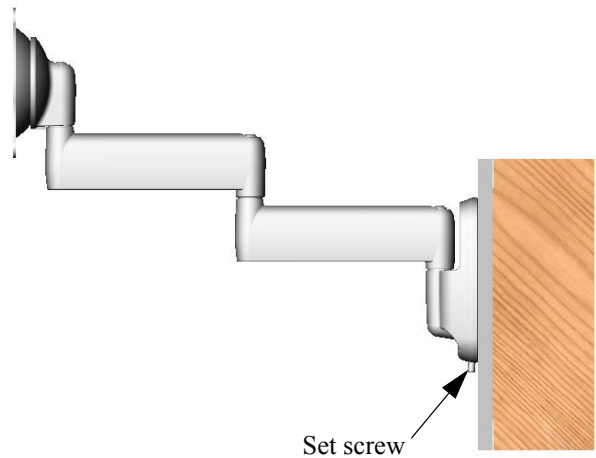


Figure 6. Tighten Setscrew to Secure

## Flush Mount – 75mm/100mm Pattern

To flush mount the display using the 75mm/100mm mounting hole pattern, do the following:

1. Install two M4 x 12mm screws (20) into the top mounting holes on the display (see Figure 7 and Figure 8).
2. Align the mounting holes on the Centris mount with the screws installed on the display. Hang the display on the mount.
3. Install two remaining M4 x 12mm screws (20) into the bottom mounting holes on the display.
4. Secure the display to the mount by tightening all four M4 x 12mm screws (20).
5. Proceed to “CABLE MANAGEMENT” on page 10 and the “ADJUSTMENTS” on page 10 and perform those two procedures to complete the installation process.

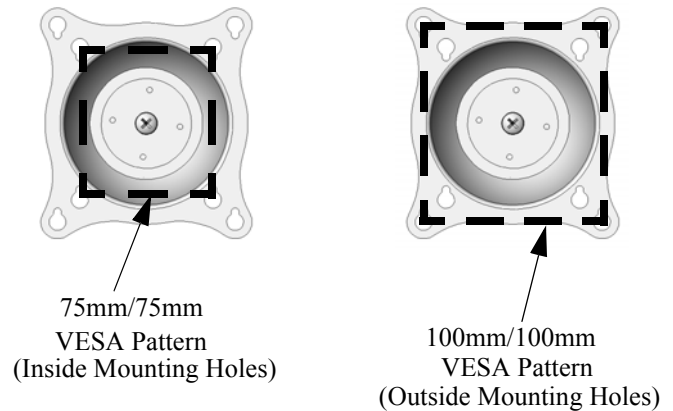


Figure 7. 75mm/100mm VESA Mounting Patterns

## Recessed Mount – 75mm/100mm Pattern

To recess mount the display using the 75mm x 100mm mounting hole pattern, do the following:

**NOTE:** Use one of the following screw and spacer combinations: (30 with 40) or (50 with 60).

**CAUTION:** If your display uses a screw size other than M4 X 20mm or M4 X 30mm, DO NOT use the M4 X 20mm or M4 X 30mm screws. Using the wrong screws could result in damage to your display.

1. Select four screws (30 or 50) and four spacers (40 or 60), depending on your display model.
2. Place four spacers (40 or 60) over the mounting holes on the back of your display (see Figure 7, Figure 8 and Figure 9).
3. Align the mounting holes on the Centris mount with the spacers installed on the back of your display.
4. Secure the mount to your display using the four screws (30 or 50) that were selected in step 1.
5. Complete the procedure to “Install MSP-SA on Wall Bracket” on page 7.
6. Proceed to “CABLE MANAGEMENT” on page 10 and the “ADJUSTMENTS” on page 10 and perform those two procedures to complete the installation process.

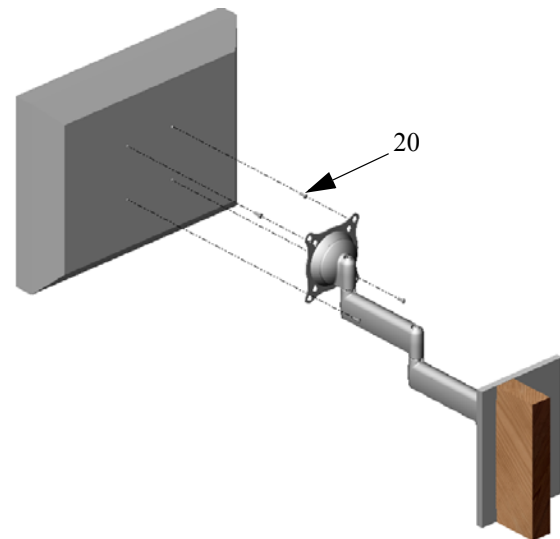


Figure 8. Flush Mount – 75mm/100mm Pattern

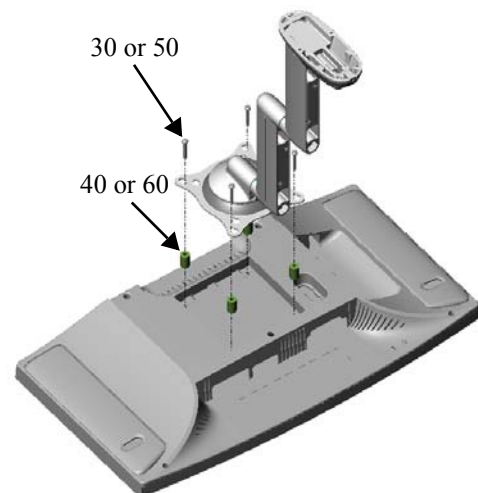


Figure 9. Recessed Mount – 75mm/100mm Pattern



## 200mm/100mm Pattern

To mount the display using the 200mm x 100mm mounting hole pattern, do the following:

1. Attach interface bracket (70) to the display using six M4 x 12mm flat head screws (80). See Figure 10.
2. Start two M4 x 5mm Phillips pan head screws (90) into the top two mounting holes of the display (see Figure 11).
3. Hang the mount from the two screws started in Step 2.
4. Install the remaining two M4 x 5mm Phillips pan head screws (90) into the bottom two mounting holes of the display.
5. Secure the display to the mount by tightening all four M4 x 5mm Phillips pan head screws (90).
6. Proceed to “CABLE MANAGEMENT” on page 10 and the “ADJUSTMENTS” on page 10 and perform those two procedures to complete the installation process.

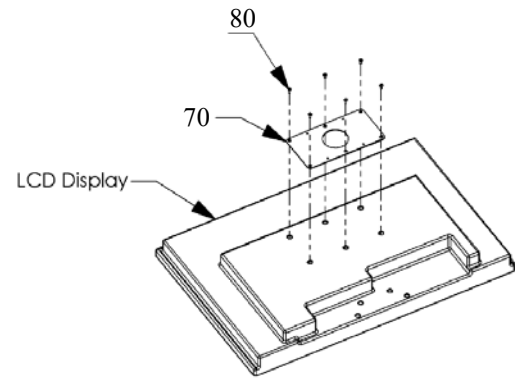


Figure 10. Install 200mm/100mm Pattern

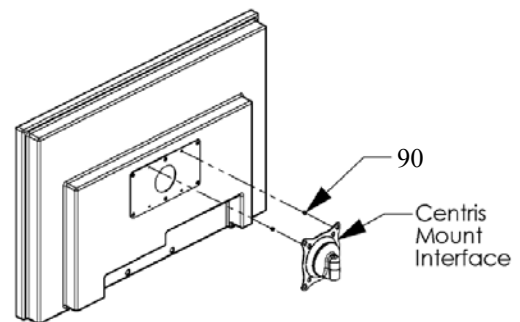


Figure 11. Hang Display onto Mount

## Installing Non-VESA Compliant Mounts

1. For custom interface brackets, contact: Chief Manufacturing.

## CABLE MANAGEMENT

**WARNING: Make sure your cables do not run through a pinch point.**

1. Connect and secure power/audio/video cables, making sure to leave sufficient slack to allow for movement of the display.
2. Route power/audio/video cables under each arm, allowing sufficient slack in cables for extension and avoiding pinch points
3. Secure cables using cover plates (130) and four screws (140).

## ADJUSTMENTS

**CAUTION: Overtightening adjustment will cause excessive wear.**

### Rotational Tilt, Pitch, and Roll Adjustment

1. Test the Centris adjustment by tilting, pitching, and rolling the Centris mount interface (see Figure 12).
2. If necessary, remove display from the mount.
3. Use a Phillips screwdriver to tighten or loosen the Centris adjustment screw.
4. Check for desired tension.
5. Repeat the procedure until desired tension is obtained.

### Lateral Tension Adjustment

1. Using a 3/16" hex wrench (150), slightly tighten or loosen lateral tension adjustment bolt (see Figure 13).
2. Check for desired tension.
3. Repeat Steps 1 and 2 until desired tension is obtained.

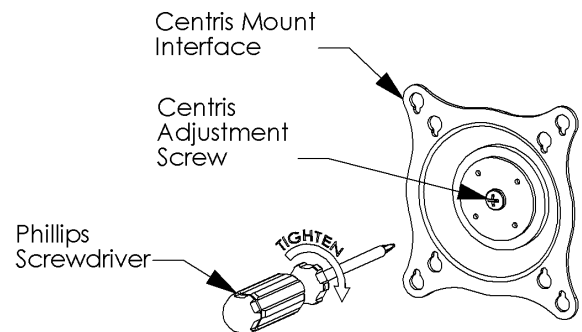


Figure 12. Adjust Centris Adjustment Screw

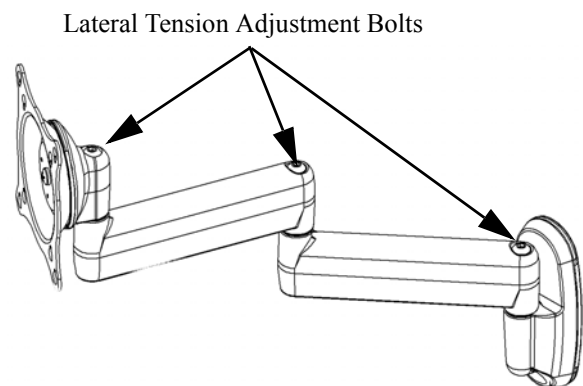


Figure 13. Lateral Tension Adjustment