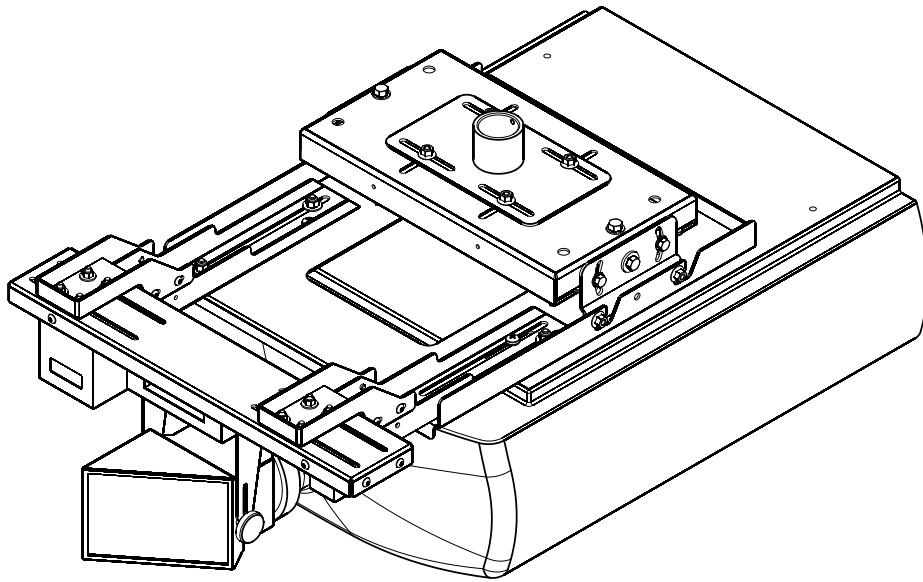

INSTALLATION INSTRUCTIONS



Lens Support Accessory

DISCLAIMER

CSAV, Inc., and its affiliated corporations and subsidiaries (collectively, "CSAV"), intend to make this manual accurate and complete. However, CSAV makes no claim that the information contained herein covers all details, conditions or variations, nor does it provide for every possible contingency in connection with the installation or use of this product. The information contained in this document is subject to change without notice or obligation of any kind. CSAV makes no representation of warranty, expressed or implied, regarding the information contained herein. CSAV assumes no responsibility for accuracy, completeness or sufficiency of the information contained in this document.

! IMPORTANT WARNINGS AND CAUTIONS!

! WARNING: A WARNING alerts you to the possibility of serious injury or death if you do not follow the instructions.

! CAUTION: A CAUTION alerts you to the possibility of damage or destruction of equipment if you do not follow the corresponding instructions.

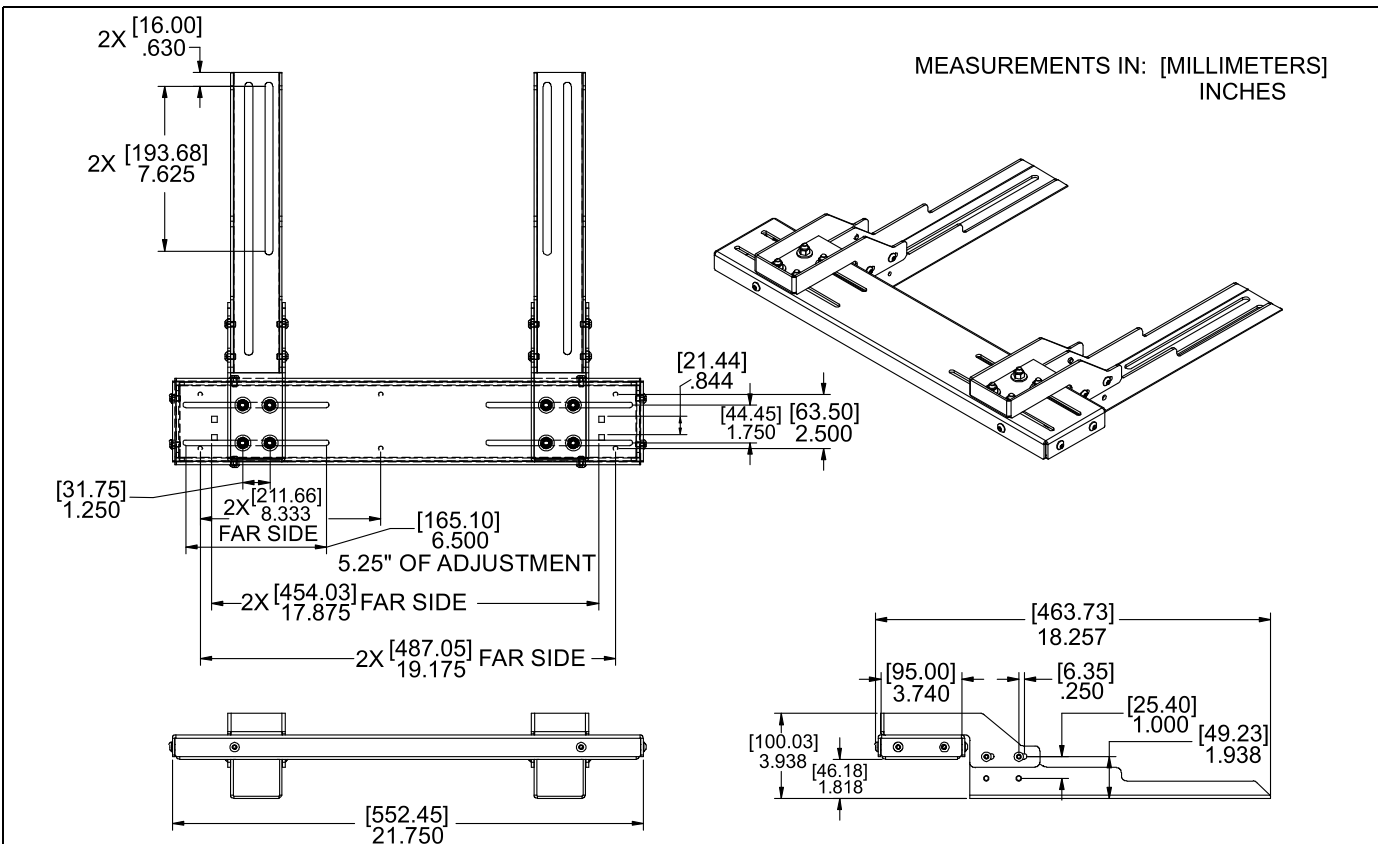
! WARNING: Failure to read, thoroughly understand, and follow all instructions can result in serious personal injury, damage to equipment, or voiding of factory warranty! It is the installer's responsibility to make sure all components are properly assembled and installed using the instructions provided.

! WARNING: Failure to provide adequate structural strength for this component can result in serious personal injury or damage to equipment! It is the installer's responsibility to make sure the structure to which this component is attached can support five times the combined weight of all equipment. Reinforce the structure as required before installing the component.

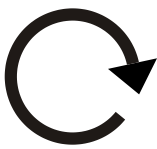





! WARNING: Exceeding the weight capacity can result in serious personal injury or damage to equipment! It is the installer's responsibility to make sure the combined weight of all components supported by the MSP-SIM2LA up to (and including) the lens and lens support does not exceed 30 lbs (13.61 kg).



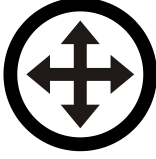



- The weight capacity of the MSP-SIM2LA may be LIMITED to the lowest weight capacity of any other component located between the MSP-SIM2LA and the supporting structure!

DIMENSIONS

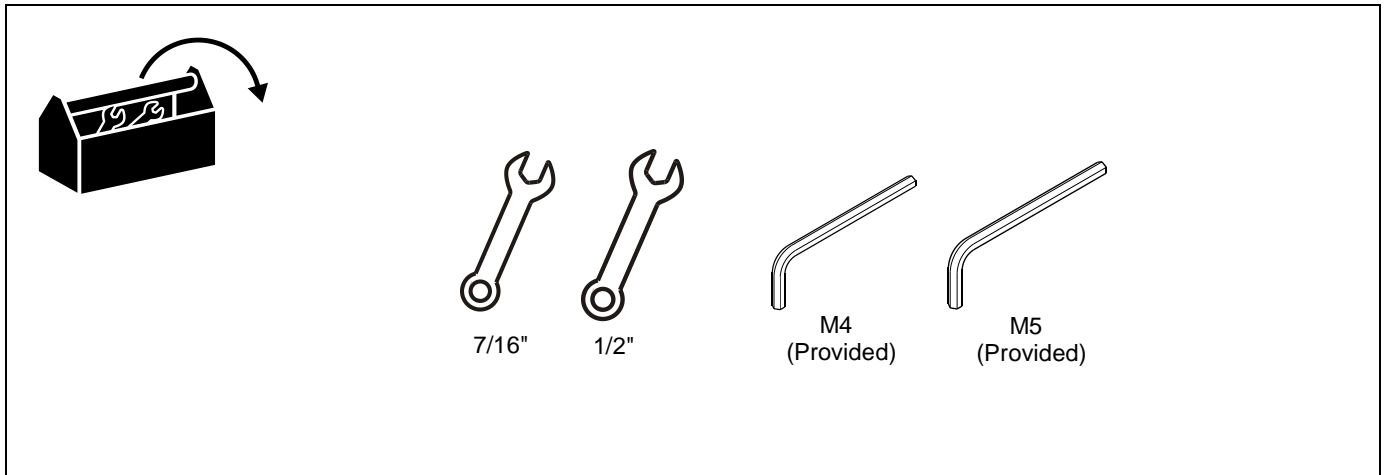


LEGEND

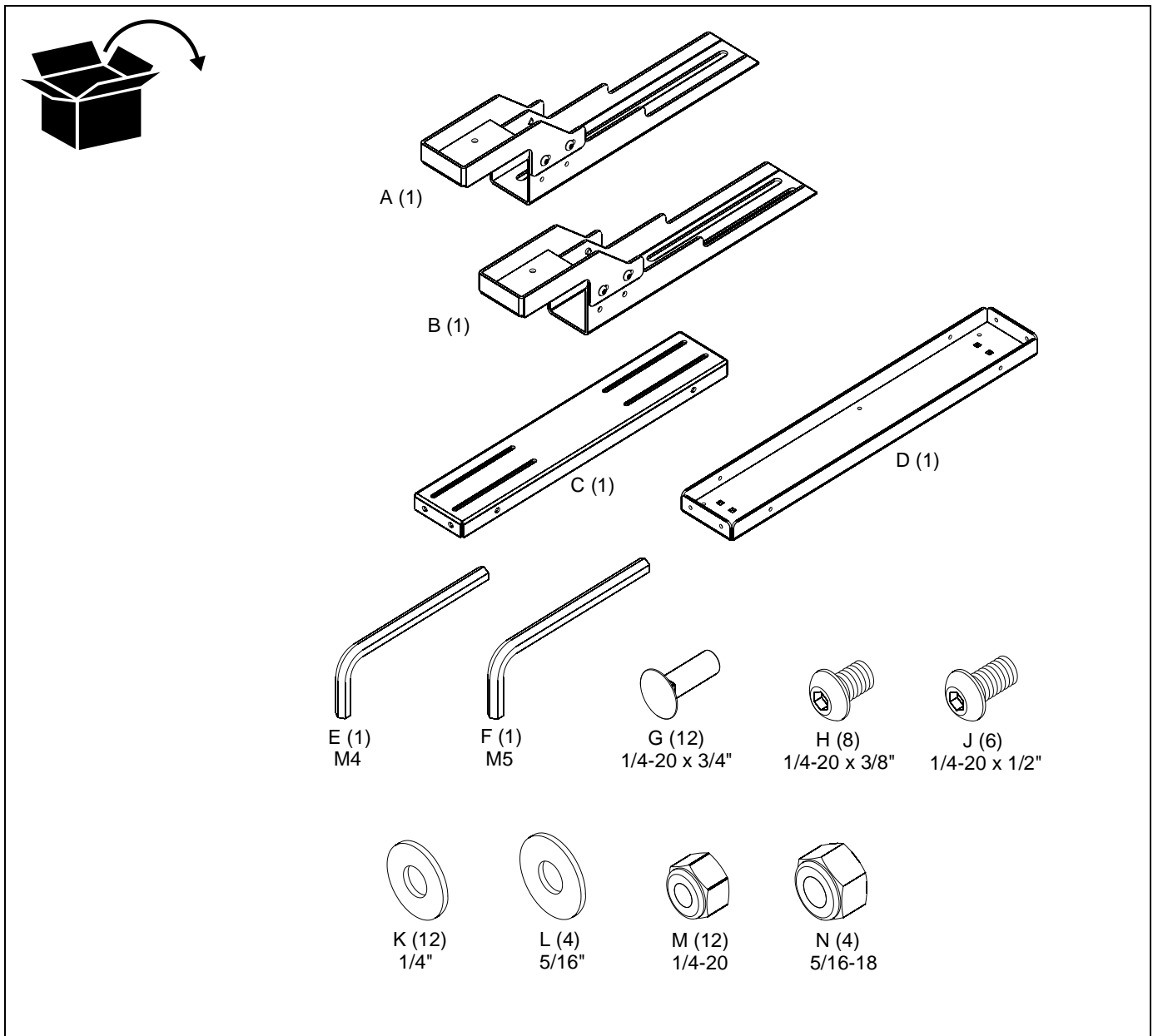
	Tighten Fastener
	Apretar elemento de fijación
	Befestigungsteil festziehen
	Apertar fixador
	Serrare il fissaggio
	Bevestiging vastdraaien
Serrez les fixations	
	Loosen Fastener
	Aflojar elemento de fijación
	Befestigungsteil lösen
	Desapertar fixador
	Allentare il fissaggio
	Bevestiging losdraaien
Desserrez les fixations	
	Phillips Screwdriver
	Destornillador Phillips
	Kreuzschlitzschraubendreher
	Chave de fendas Phillips
	Cacciavite a stella
	Kruiskopschroevendraaier
Tournevis à pointe cruciforme	
	Open-Ended Wrench
	Llave de boca
	Gabelschlüssel
	Chave de bocas
	Chiave a punte aperte
	Steeksleutel
Clé à fourche	
	By Hand
	A mano
	Von Hand
	Com a mão
	A mano
	Met de hand
À la main	
	Hex-Head Wrench
	Llave de cabeza hexagonal
	Sechskantschlüssel
	Chave de cabeça sextavada
	Chiave esagonale
	Zeskantsleutel
Clé à tête hexagonale	

	Pencil Mark
	Marcar con lápiz
	Stiftmarkierung
	Marcar com lápis
	Segno a matita
	Potloodmerkteken
Marquage au crayon	
	Drill Hole
	Perforar
	Bohrloch
	Fazer furo
	Praticare un foro
	Gat boren
Percez un trou	
	Adjust
	Ajustar
	Einstellen
	Ajustar
	Regolare
	Afstellen
Ajuster	
	Remove
	Quitar
	Entfernen
	Remover
	Rimuovere
	Verwijderen
Retirez	
	Optional
	Opcional
	Optional
	Opcional
	Opzionale
	Optie
En option	
	Security Wrench
	Llave de seguridad
	Sicherheitsschlüssel
	Chave de segurança
	Chiave di sicurezza
	Veiligheidssleutel
Clé de sécurité	

TOOLS REQUIRED FOR INSTALLATION



PARTS



ASSEMBLY AND INSTALLATION

Attaching Lens Bracket to Bottom Front Plate

NOTE: Follow attachment instructions shown as **Option A** or **Option B**, dependent on type of lens bracket.

Option A

1. Attach lens bracket to bottom front plate (D) using six 1/4-20 x 1/2" button head cap screws (J). (See Figure 1) Proceed to **Attaching Lens Support**.

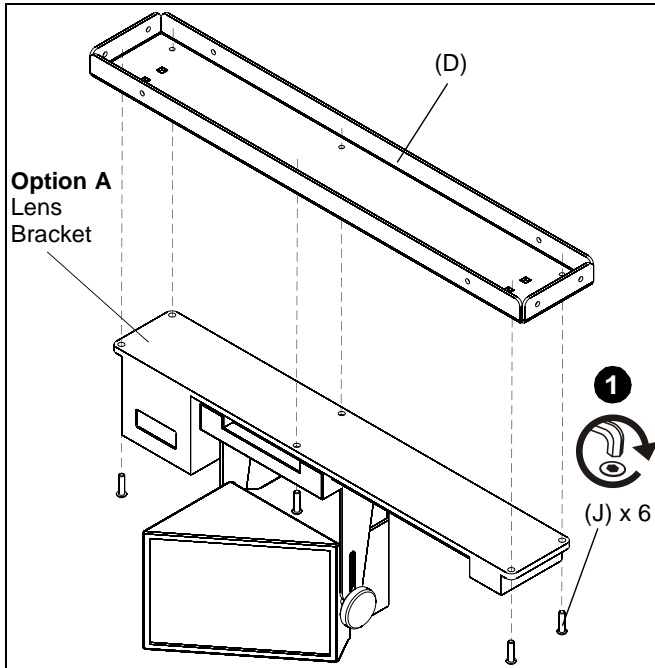


Figure 1

Option B

1. Attach lens bracket to bottom front plate (D) using four 1/4-20 x 3/4" round head carriage bolts (G), 1/4" flat washers (K), and 1/4-20 nylon locknuts (M). (See Figure 2) Proceed to **Attaching Lens Support**.

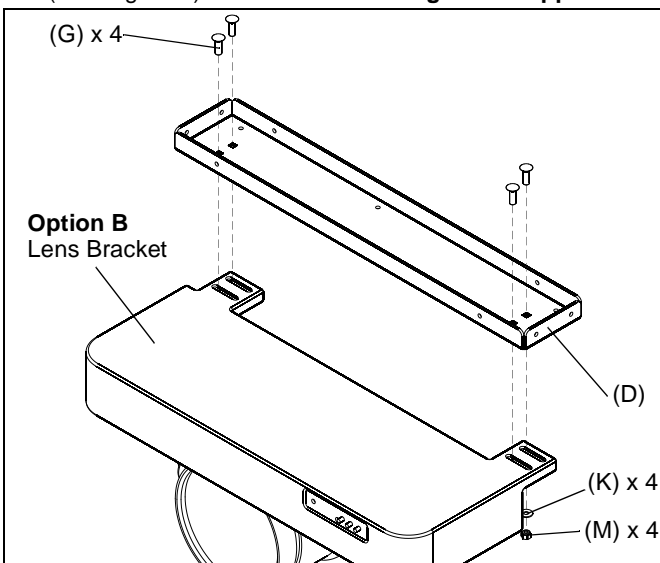


Figure 2

Attaching Lens Support

1. Attach left lens support (A) and right lens support (B) to the top front plate (C) using eight 1/4-20 x 3/4" round head carriage bolts (G), eight 1/4" flat washers (K), and eight 1/4-20 nylon locknuts (M). (See Figure 3)

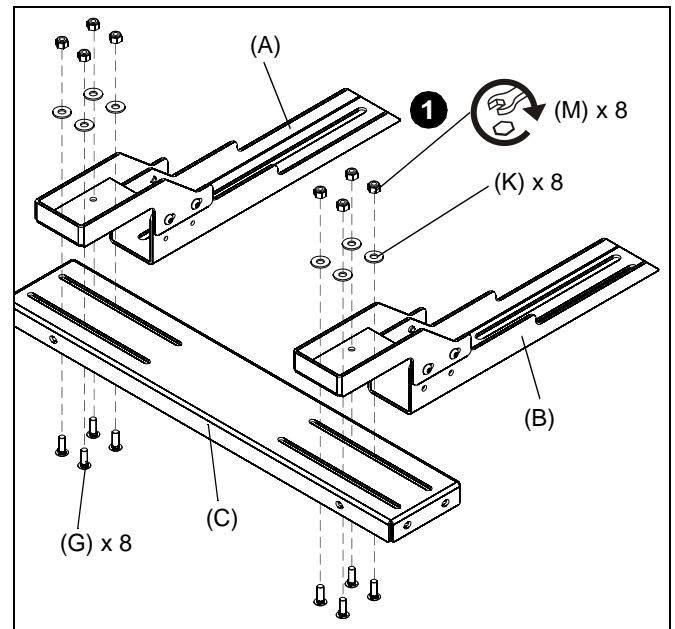


Figure 3

2. Attach top front plate (C) to bottom front plate (D) (with lens bracket) using eight 1/4-20 x 3/8" button head cap screws (H). (See Figure 4)

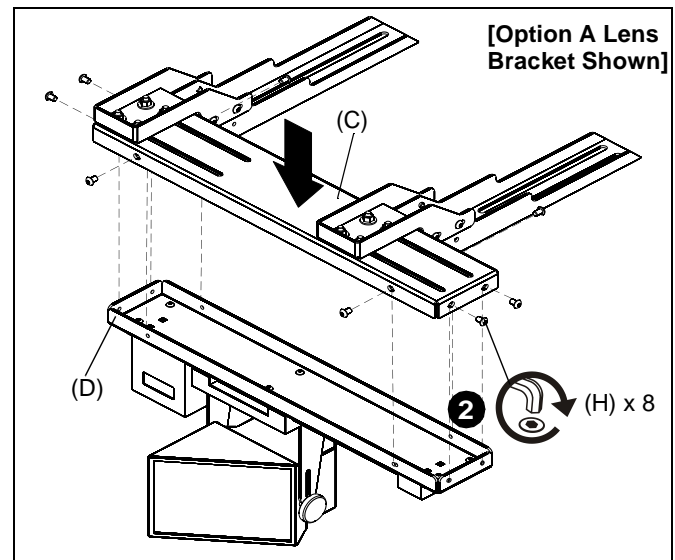


Figure 4

Attaching Lens Support Assembly to Projector

NOTE: If HB-028 bracket has already been attached to projector, proceed to Step 1. If HB-028 bracket has not yet been attached to projector, install following instructions included with bracket, but do NOT yet install two M8 screws and washers listed in Step 4 of the bracket instructions.

1. Remove and keep two M8 button head cap screws and M8 flat washers from front of HB bracket (if already installed). (See Figure 5)

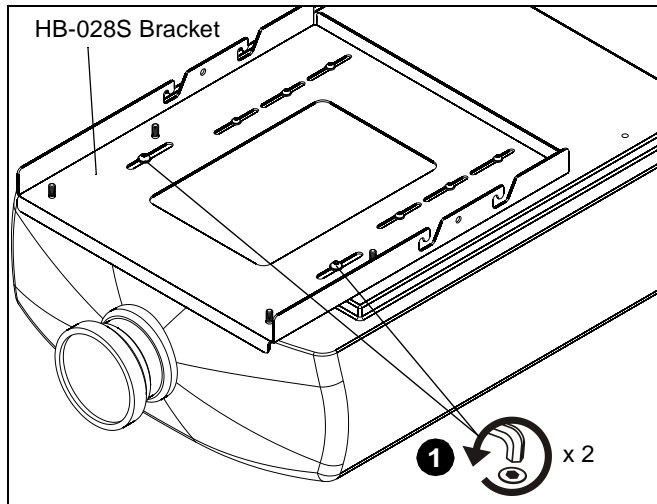


Figure 5

2. Place lens support brackets (A) and (B) with lens bracket assembly over the four studs on front of HB bracket. (See Figure 6)

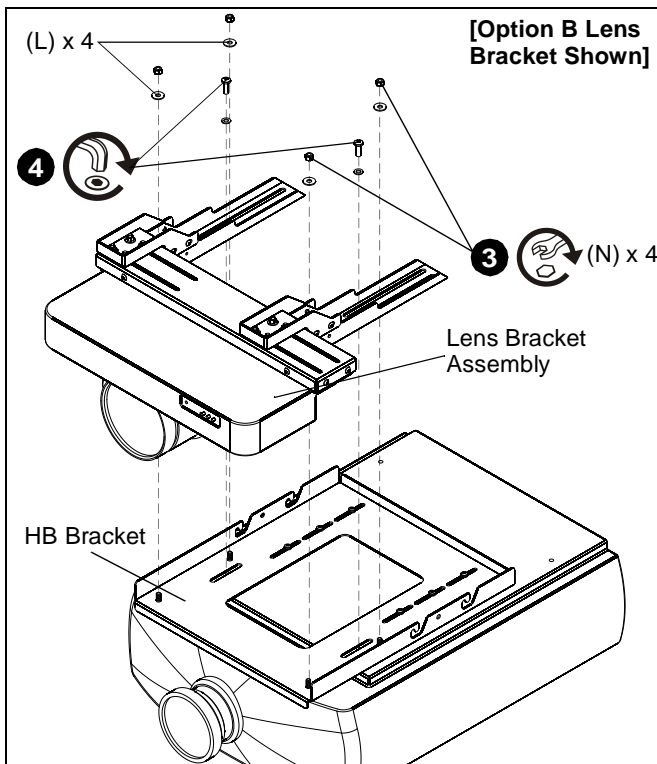


Figure 6

3. Attach lens bracket assembly to projector HB bracket using four 5/16" flat washers (L) and 5/16-18 nylon lock nuts (N). (See Figure 6)
4. Reinstall the two M8 button head cap screws and M8 flat washers from front of HB bracket which were removed in Step 1.



8803-000088
©2007 Chief Manufacturing
www.chiefmfg.com
06/07

USA/International	A 8401 Eagle Creek Parkway, Savage, MN 55378 P 800.582.6480 / 952.894.6280 F 877.894.6918 / 952.894.6918
Europe	A Fellenoord 130 5611 ZB EINDHOVEN, The Netherlands P +31 (0)40 2668620 F +31 (0)40 2668615
Asia Pacific	A Room 30I, Block D, Lily YinDu International Building LuoGang, BuJi Town, Shenzhen, CHINA. Post Code: 518112 深圳市布吉罗岗百合银都国际大厦D栋30I P +86-755-8996 9226 ; 8996 9236 ; 8996 9220 F +86-755-8996 9217