
INSTALLATION INSTRUCTIONS

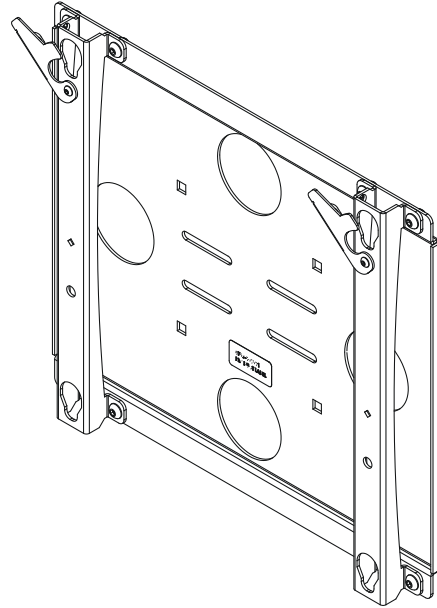
LARGE FLAT PANEL SKYLINE MOUNT

Model: MSP-SKY1

Specifications:

- Designed for installation to Skyline exhibit structure. See mounting hole pattern shown in DIMENSIONS on page 2.
- Weight capacity of 200 lbs (90 kg).

NOTE: Requires display interface providing 14" x 14" mounting button pattern; not included.



BEFORE YOU BEGIN



WARNING: It is the installer's responsibility to make sure all components are properly assembled and installed using the instructions provided. Failure to read, thoroughly understand, and follow all instructions can result in serious personal injury, damage to equipment, or voiding of factory warranty.

- If you have any questions about these instructions or your specific installation, contact Chief Manufacturing at 1-800-582-6480 or 952-894-6280.

! IMPORTANT WARNINGS AND CAUTIONS!

WARNING: A WARNING alerts you to the possibility of serious injury or death if you do not follow the instructions.

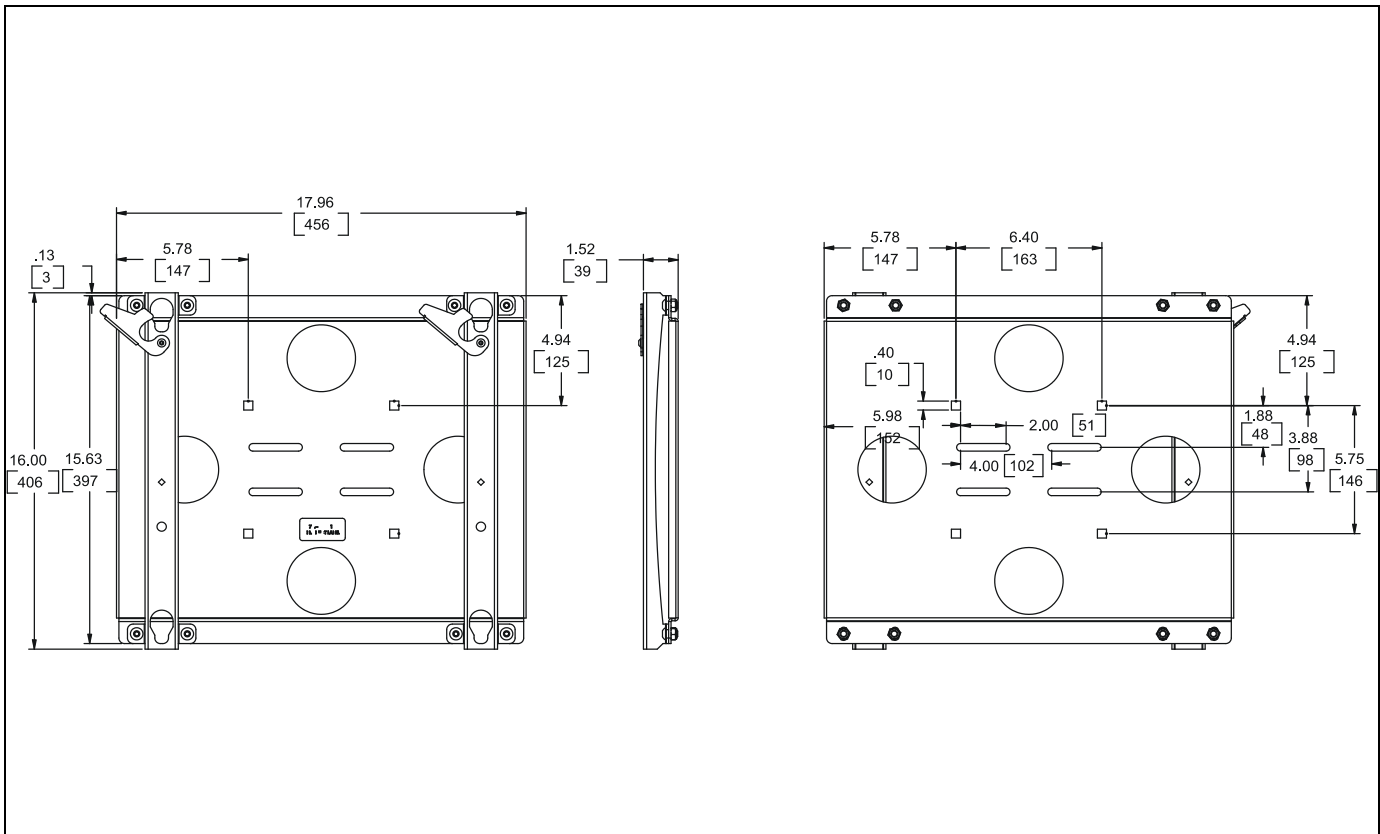
CAUTION: A CAUTION alerts you to the possibility of damage or destruction of equipment if you do not follow the corresponding instructions.

! WARNING: Failure to provide adequate structural strength for this component can result in serious personal injury or damage to equipment! It is the installer's responsibility to make sure the structure to which this component is attached can support five times the combined weight of all equipment. Reinforce the structure as required before installing the component.

! WARNING: Exceeding the weight capacity can result in serious personal injury or damage to equipment! It is the installer's responsibility to make sure the combined weight of all components attached to the MSP-SKY1 mount, including the interface and display, does not exceed 200 lbs (90 kg).

! WARNING: Make sure the latches securing the display are fully closed at all times except when removing or installing the display. The latches must be fully closed when installing or removing cables from the display.

DIMENSIONS



TOOLS REQUIRED FOR INSTALLATION

- None

NOTE: Tools may be required to install this mount to the Skyline exhibit structure, or for attaching the interface to the display.

PARTS

After unpacking carton, inspect and verify contents (See Figure 1). If any listed parts are missing or damaged, contact Chief Customer Service at 1-800-582-6480.

Table 1: Parts

Item	Description	Qty
10	MOUNT, MSP-SKY1	1

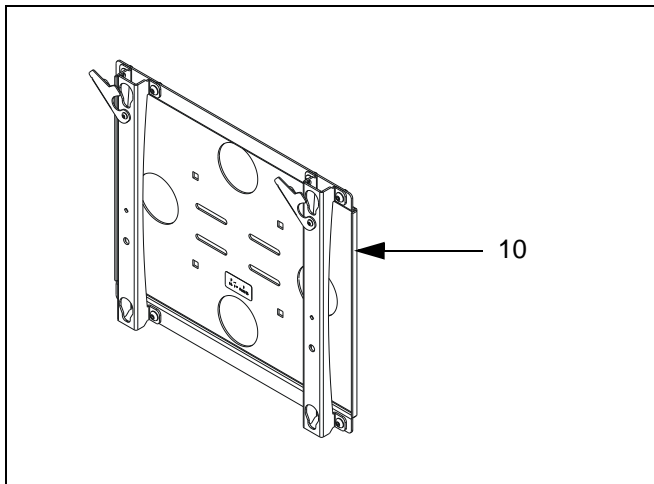


Figure 1: Parts

INSTALLATION

MOUNT INSTALLATION



WARNING: Failure to provide adequate structural strength for this component can result in serious personal injury or damage to equipment! It is the installer's responsibility to make sure the structure to which this component is attached can support five times the combined weight of all equipment. Reinforce the structure as required before installing the component.

1. Install mount (10) to the Skyline exhibit structure using appropriate fasteners/components (not included).

DISPLAY INSTALLATION



WARNING: Exceeding the weight capacity can result in serious personal injury or damage to equipment! It is the installer's responsibility to make sure the combined weight of all components attached to the MSP-SKY1 mount, including the interface and display, does not exceed 200 lbs (90 kg).

1. Install interface (providing 14" x 14" mounting button pattern) to display. See instructions supplied with interface.
2. Rotate both Q-Latches to the OPEN position (See Figure 2).

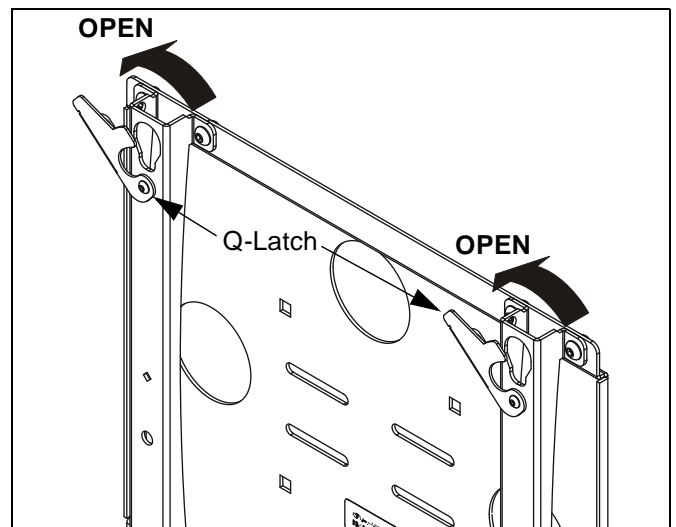


Figure 2: Open Q-Latch



WARNING: Display is very heavy! Ensure display can be safely lifted and maneuvered as required to install on mount. Failure to take adequate precautions can result in serious personal injury or damage to equipment!

3. Lift and maneuver display so that all four mounting buttons fit into button openings on the vertical mounting brackets. Lower display firmly into place. Ensure each mounting button has fully seated in its button opening (See Figure 3).

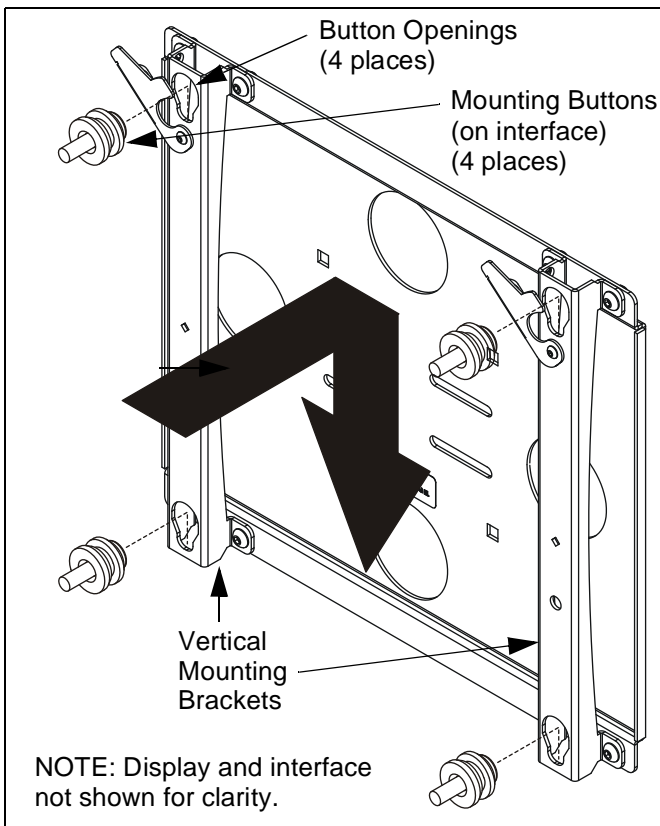


Figure 3: Align and Lower Display

4. Rotate both Q-Latches to the CLOSED position (See Figure 4).

NOTE: If Q-Latch does not fully close, ensure mounting buttons are fully seated in the button openings.

NOTE: A hole is provided in both the Q-Latch and the vertical mounting bracket to accommodate the insertion of a padlock or similar locking device.

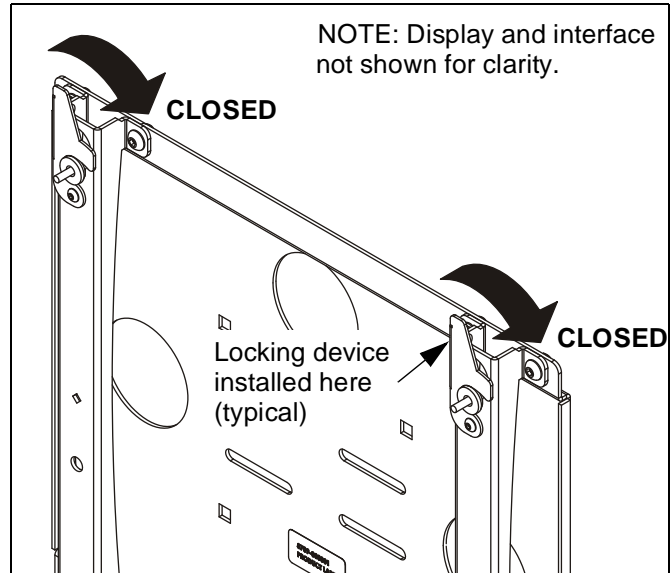


Figure 4: Close Q-Latch



WARNING: Make sure the latches securing the display are fully closed at all times except when removing or installing the display. The latches must be fully closed when installing or removing cables from the display.

5. Attach all cables to display.
6. Installation is complete.