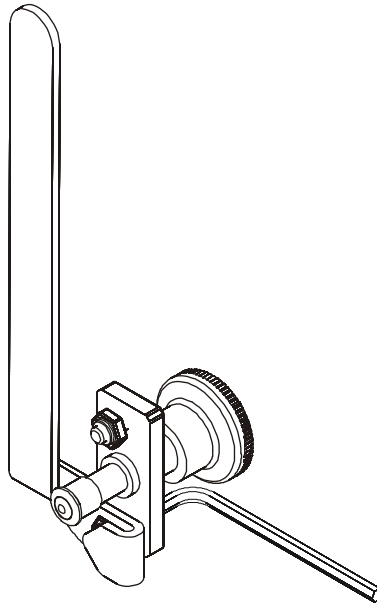

INSTALLATION INSTRUCTIONS



Cart Pin Replacement Kit

DISCLAIMER

Milestone AV Technologies and its affiliated corporations and subsidiaries (collectively "Milestone"), intend to make this manual accurate and complete. However, Milestone makes no claim that the information contained herein covers all details, conditions or variations, nor does it provide for every possible contingency in connection with the installation or use of this product. The information contained in this document is subject to change without notice or obligation of any kind. Milestone makes no representation of warranty, expressed or implied, regarding the information contained herein. Milestone assumes no responsibility for accuracy, completeness or sufficiency of the information contained in this document.

Chief® is a registered trademark of Milestone AV Technologies. All rights reserved.



WARNING: Failure to read, thoroughly understand, and follow all instructions can result in serious personal injury, damage to equipment, or voiding of factory warranty! It is the installer's responsibility to make sure all components are properly assembled and installed using the instructions.



IMPORTANT WARNINGS AND CAUTIONS!

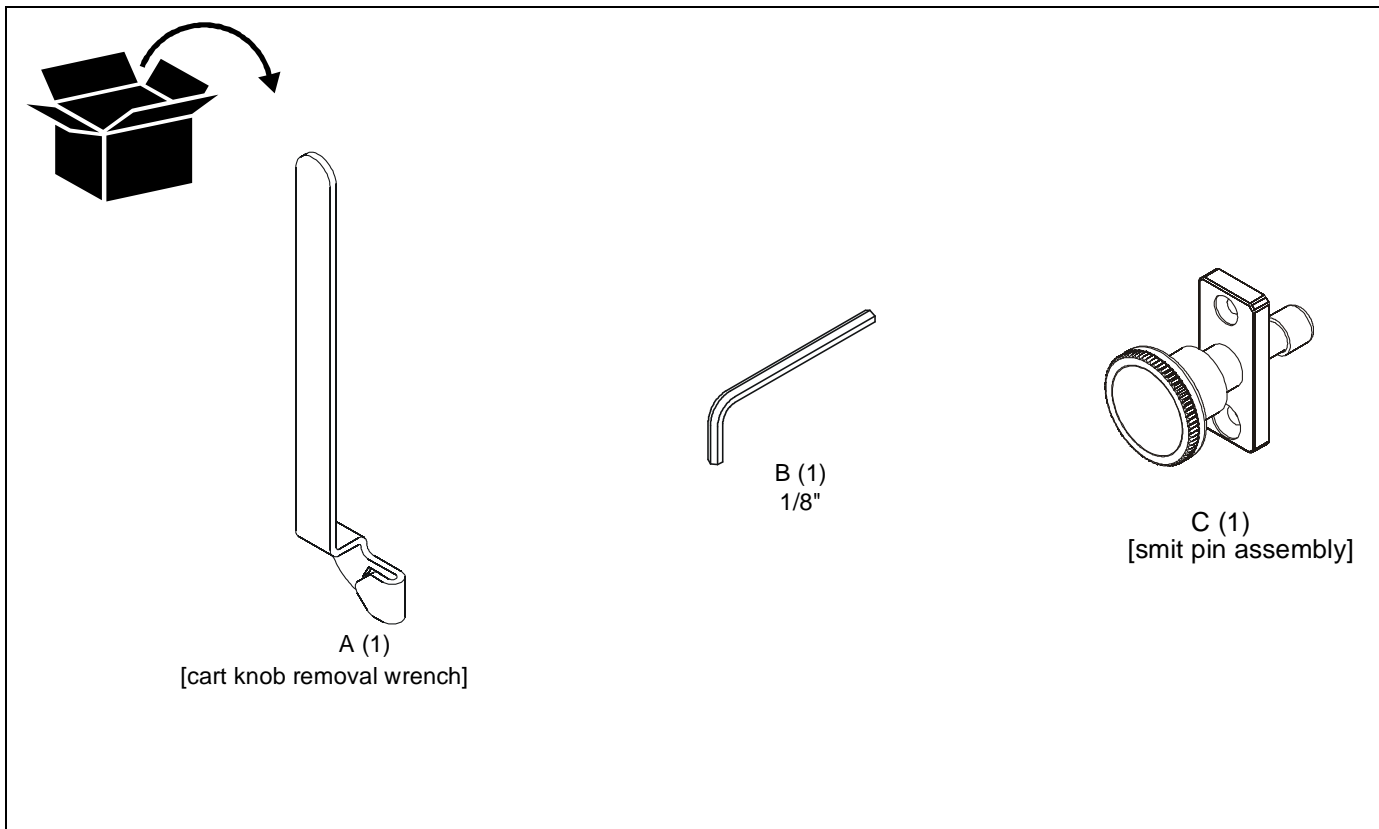


WARNING: A WARNING alerts you to the possibility of serious injury or death if you do not follow the instructions.



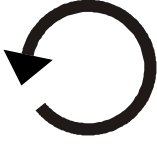


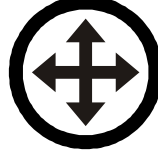








CAUTION: A CAUTION alerts you to the possibility of damage or destruction of equipment if you do not follow the corresponding instructions.

PARTS



LEGEND

| | | | |
|---|--|--|---|
|  | <p>Tighten Fastener Apretar elemento de fijación Befestigungsteil festziehen Apertar fixador Serrare il fissaggio Bevestiging vastdraaien Serrez les fixations</p> |  | <p>Pencil Mark Marcar con lápiz Stiftmarkierung Marcar com lápis Segno a matita Potloodmerkten Marquage au crayon</p> |
|  | <p>Loosen Fastener Aflojar elemento de fijación Befestigungsteil lösen Desapertar fixador Allentare il fissaggio Bevestiging losdraaien Desserrez les fixations</p> |  | <p>Drill Hole Perforar Bohrloch Fazer furo Praticare un foro Gat boren Percez un trou</p> |
|  | <p>Phillips Screwdriver Destornillador Phillips Kreuzschlitzschraubendreher Chave de fendas Phillips Cacciavite a stella Kruiskopschroevendraaier Tournevis à pointe cruciforme</p> |  | <p>Adjust Ajustar Einstellen Ajustar Regolare Afstellen Ajuster</p> |
|  | <p>Open-Ended Wrench Llave de boca Gabelschlüssel Chave de bocas Chiave a punte aperte Steeksleutel Clé à fourche</p> |  | <p>Remove Quitar Entfernen Remover Rimuovere Verwijderen Retirez</p> |
|  | <p>By Hand A mano Von Hand Com a mão A mano Met de hand À la main</p> |  | <p>Optional Opcional Optional Opcional Opzionale Optie En option</p> |
|  | <p>Hex-Head Wrench Llave de cabeza hexagonal Sechskantschlüssel Chave de cabeça sextavada Chiave esagonale Zeskantsleutel Clé à tête hexagonale</p> |  | <p>Security Wrench Llave de seguridad Sicherheitsschlüssel Chave de segurança Chiave di sicurezza Veiligheidssleutel Clé de sécurité</p> |

ASSEMBLY AND INSTALLATION

IMPORTANT ! : It is much easier to replace the cart knob while assembling cart! If cart/stand is not yet assembled, skip ahead to the Knob Removal Section to replace knob while assembling cart.

WARNING: Use SMIT pin assembly ONLY with gas spring-loaded column!

Cart/stand Disassembly (if necessary)

1. Remove any mounted displays and mounting devices from cart/stand.
2. Remove four button head screws from faceplate. (See Figure 1)
3. Remove faceplate from column assembly. (See Figure 1)

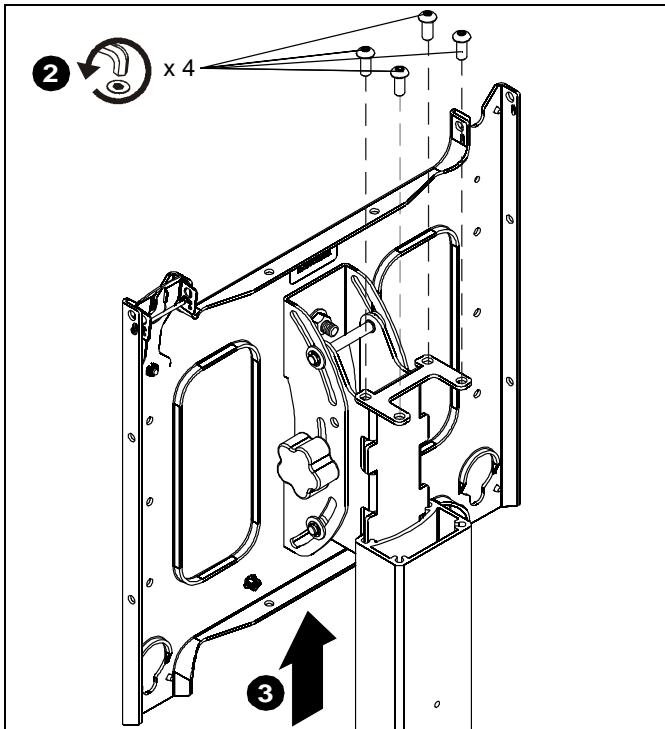


Figure 1

4. Carefully tip cart/stand in order to expose screws on bottom of cart/stand.
5. Remove and save four screws and washers from bottom of cart/stand. (See Figure 2)
6. Remove mounting column from base of cart/stand. (See Figure 2)

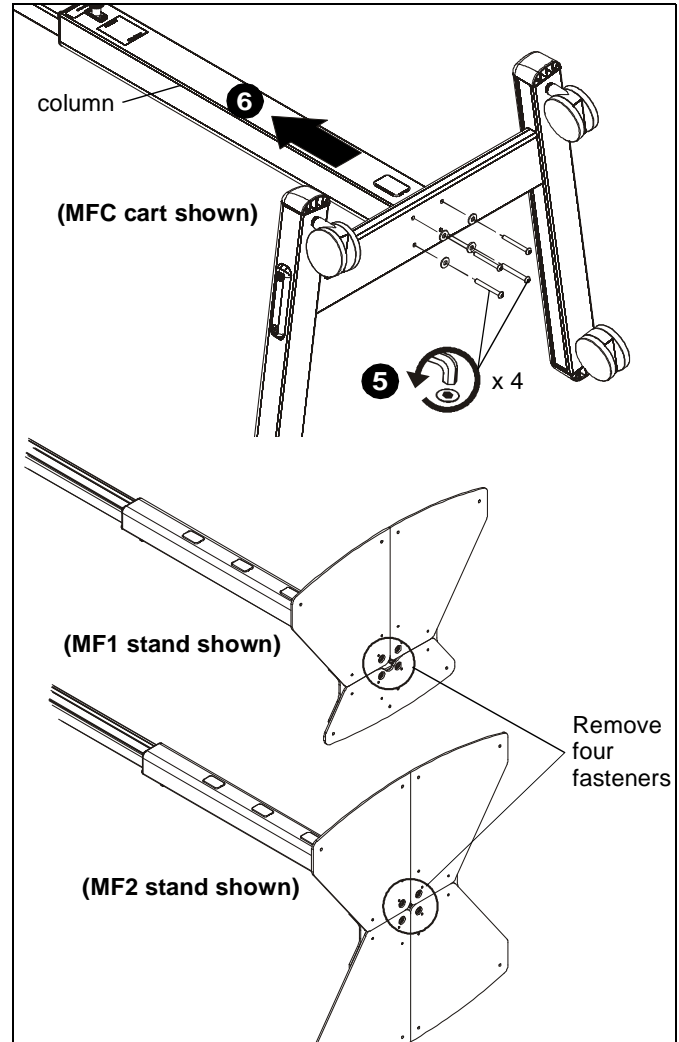


Figure 2

7. Turn knob on back of column to release inner column from outer column. (See Figure 3)
8. Pull inner column down through outer column until cart knob is accessible on the inside. (See Figure 3)

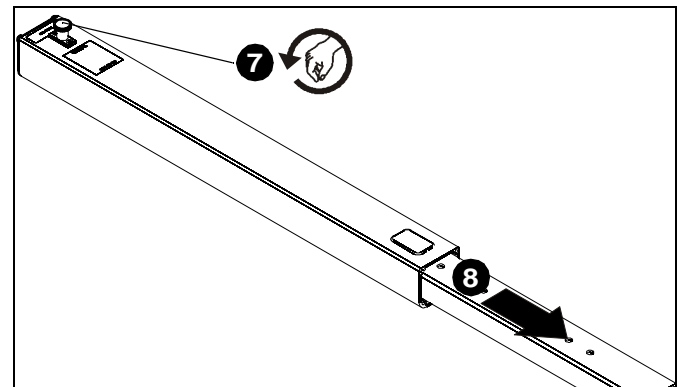


Figure 3

Knob Removal

1. Use cart knob removal wrench (A) to hold hex nuts in place inside column. (See Figure 4)

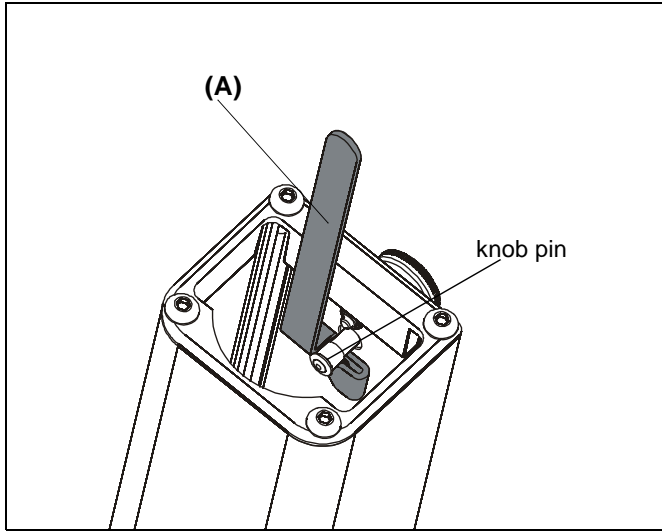


Figure 4

2. Use 1/8" hex key (B) to remove knob from column while holding onto cart knob removal wrench (A). (See Figure 5)

NOTE: Reposition wrench to the corresponding hex nut when removing each flat head cap screw.

NOTE: Carefully remove each hex nut from cart and set it aside for reuse when the new smit pin is installed.

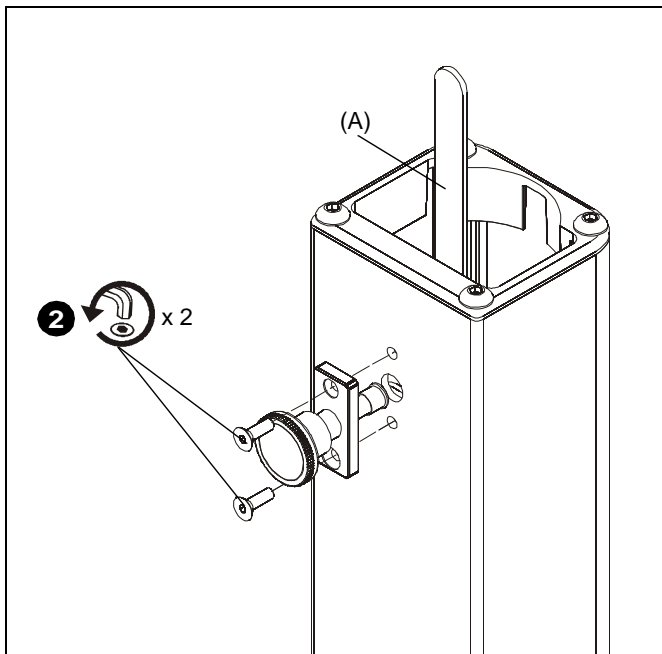


Figure 5

New Smit Pin Installation

1. Insert new smit pin into pin hole on back of cart/stand. (See Figure 6)

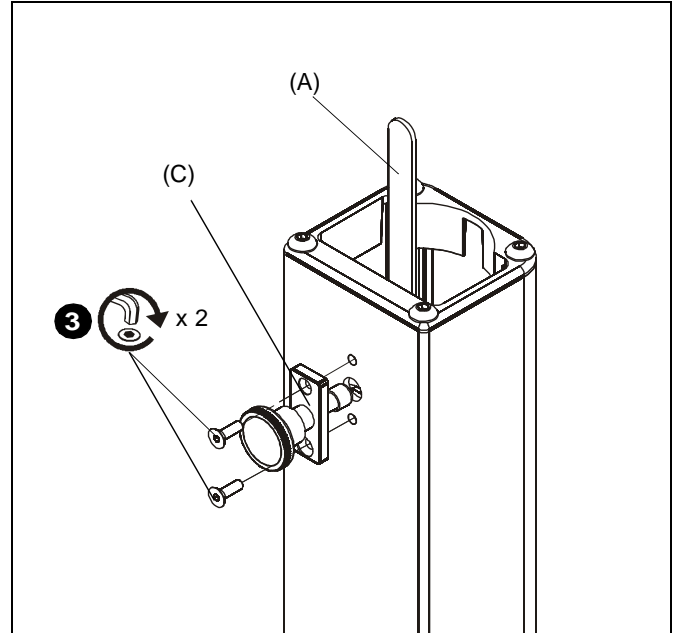


Figure 6

2. Install two removed flat head cap screws through upper and lower holes on new smit pin and partially thread removed hex nuts onto screws. (See Figure 7)

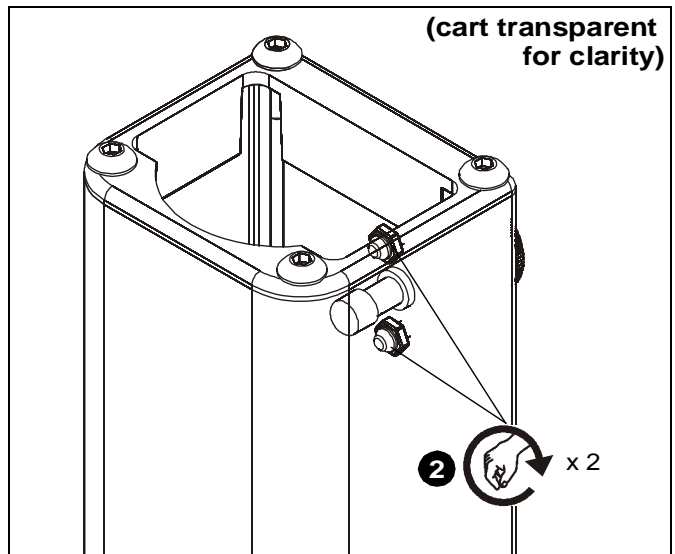


Figure 7

3. Use cart knob removal wrench (A) to hold hex nuts in place while tightening screws with 1/8" hex key. (See Figure 6)

NOTE: Reposition wrench to the corresponding hex nut when installing each flat head cap screw.

4. Complete cart/stand assembly following cart/stand installation instructions.



Our Mounts. **Your Vision.**

Chief Manufacturing, a products division
of Milestone AV Technologies

8807-002021 Rev00
©2011 Milestone AV Technologies, a
Duchossois Group Company
www.chiefmfg.com
02/11

| | |
|--------------------------|---|
| USA/International | A 8401 Eagle Creek Parkway, Savage, MN 55378 P 800.582.6480 / 952.894.6280 F 877.894.6918 / 952.894.6918 |
| Europe | A Fellenoord 130 5611 ZB EINDHOVEN, The Netherlands P +31 (0)40 2668620 F +31 (0)40 2668615 |
| Asia Pacific | A Office No. 1 on 12/F, Shatin Galleria 18-24 Shan Mei Street Fotan, Shatin, Hong Kong P 852 2145 4099 F 852 2145 4477 |

