
INSTALLATION INSTRUCTIONS

Plasma Ceiling Mount Model MSP-SPCM (PCM Series)

The MSP-SPCM, with Q-latch design, is a quick ceiling installation process that easily attaches to 1 1/2" NPT coupling. A low profile design compliments the sleekness of your plasma while providing versatile sturdy support for your plasma.

With the mount securely in place, simply install PSB-2095 (bracket designed specifically for your display) on your display, use the easy to hang Q-latches to mount your display, and engage the locking device to prevent removal of the display.

Height adjustment (5") and roll adjustment (4° right and left) simplify screen positioning, Optimum viewing is easily achieved using the tilt adjustment (15° down and 5° up).

The display can be installed using either the horizontal (landscape) or vertical (portrait) mounting format.



BEFORE YOU BEGIN

- **CAUTION:** To prevent damage to the mount, which could affect or void the Factory warranty, and to the equipment that will be attached to it, thoroughly study all instructions and illustrations before you begin the installation. Pay particular attention to the "Important Warnings and Cautions" on Page 2.
- The maximum weight to be installed on the wall mount is 175 pounds (79.38 kg).
- If you have any questions about this installation, contact Chief Manufacturing at 1-800-582-6480.



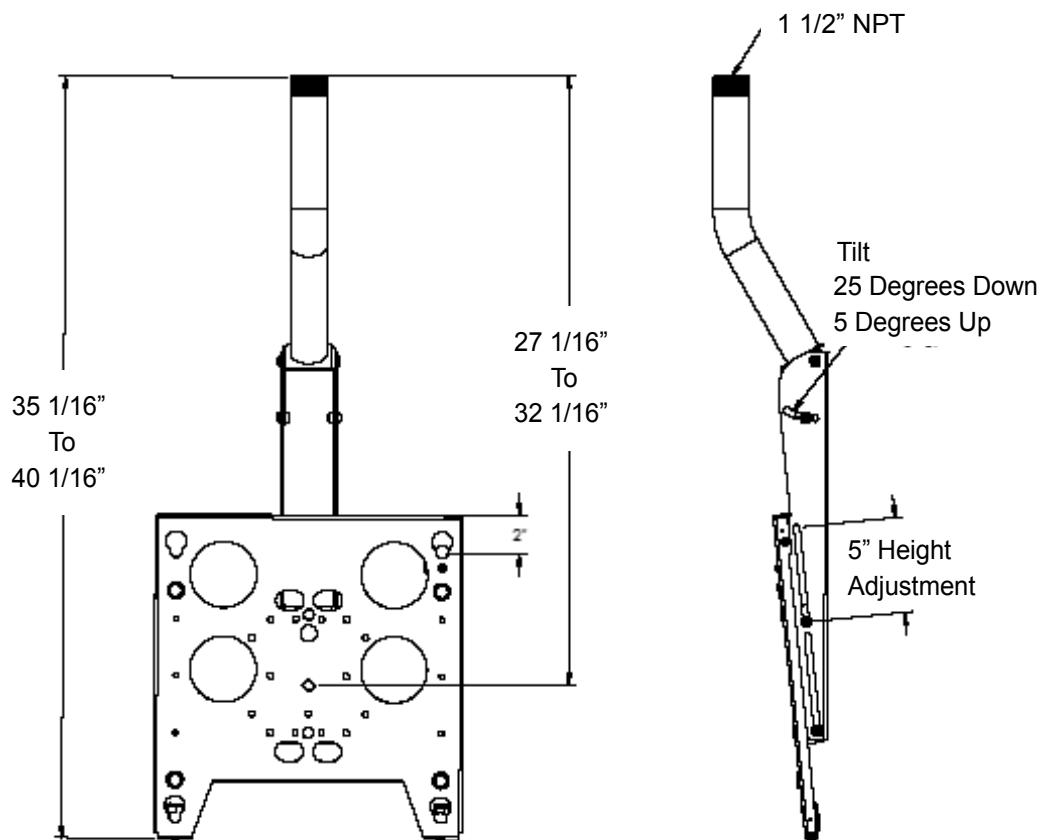
IMPORTANT WARNINGS AND CAUTIONS!

WARNING: A **WARNING** alerts you to the possibility of serious injury or death if you do not follow the instructions.

CAUTION: A **CAUTION** alerts you to the possibility of damage or destruction of equipment if you do not follow the corresponding instructions.

- **WARNING: Improper installation can result in serious personal injury! Make sure that the ceiling structural members can support a redundant weight factor *five times* the total weight of the equipment. If not, reinforce the ceiling before installing the suspended ceiling kit.**
- **WARNING: Be aware also of the potential for personal injury or damage to the unit if it is not adequately mounted.**
- **WARNING: The installer is responsible for verifying that the ceiling to which the reinforcing plate on the mount is anchored will safely support the combined load of all attached components or other equipment.**
- **WARNING: The combined weight of the plasma display panel must not exceed 175 lbs (79.38 kg), the maximum load capacity of the reinforcing plate.**
- **CAUTION:** Check the unit for shipping damage before you begin the installation.

DIMENSIONAL DRAWING



CONTENTS

IMPORTANT WARNINGS AND CAUTIONS	2
DIMENSIONAL DRAWING	2
TOOLS REQUIRED FOR INSTALLATION	3
PARTS LIST	3
PARTS.....	4
ASSEMBLY PROCEDURE	4
INSTALL PSB-2095	5
MOUNTING PROCEDURES	7
ADJUSTMENTS.....	8

TOOLS REQUIRED FOR INSTALLATION

- Pipe wrench
- 5/16” Allen Wrench
- 1/2” wrench
- Other tools may be required depending on the method of installing the unit in the ceiling.

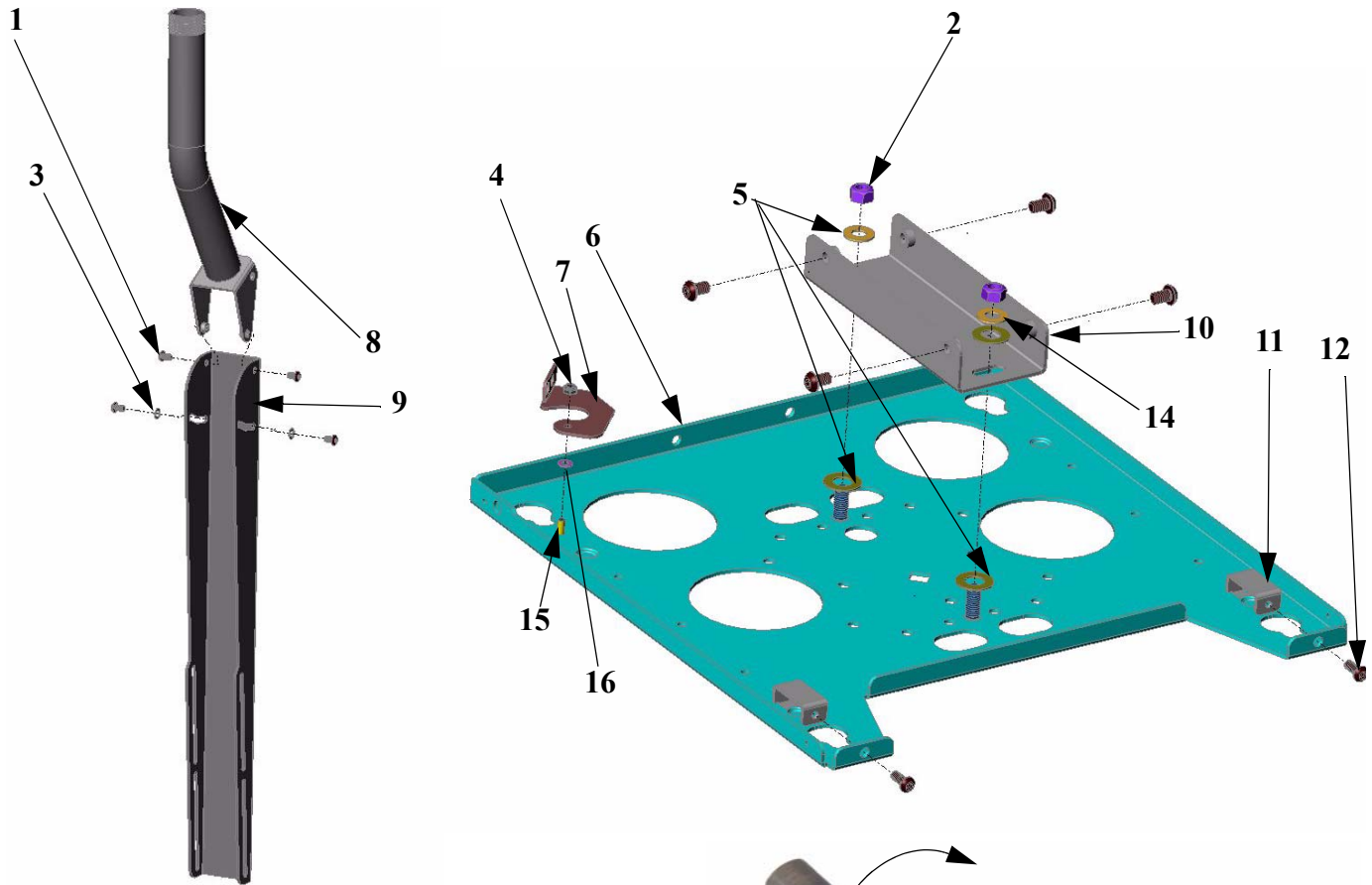
PARTS LIST

Unpack the carton and verify the contents listed in Table 1 on page 3. If you are missing any of the listed parts, contact Customer Service at: 1-800-582-6480.

Table 1: Parts List

REF	DESCRIPTION	QTY
1	Screw, Cap, Button Head	8
2	Nut, Hex, 3/8-16	2
3	Washer, Stainless Steel	2
4	Nut, Lock, 10-24	1
5	Washer, UHMW	3
6	Plate, Front	1
7	Knob, Latch	1
8	Tube, 1 1/2” Threaded	1
9	Mount, Pitch	1
10	Adapter, Mount, Pitch	1
11	Buckle, Spud	2
12	Screw, Socket Head Cap, 1/4-20	2
13	Key, Allen (Not Shown)	1
14	Washer, Flat	2
15	Screw, Pan Head, 10-24	1
16	Spacer, .38 X .194 X .032”	1

PARTS



ASSEMBLY PROCEDURE

1. Remove two adjustment screws that are not securing the tube and open the body assembly by raising the tube, pivoting it on the tilt adjustment screws (see Figure 1).
2. Secure the tube using the two adjustment screws removed in step 1.
3. Using four 5/16-18 button head cap screws and four washers, secure the body to the plate assembly (see Figure 2).

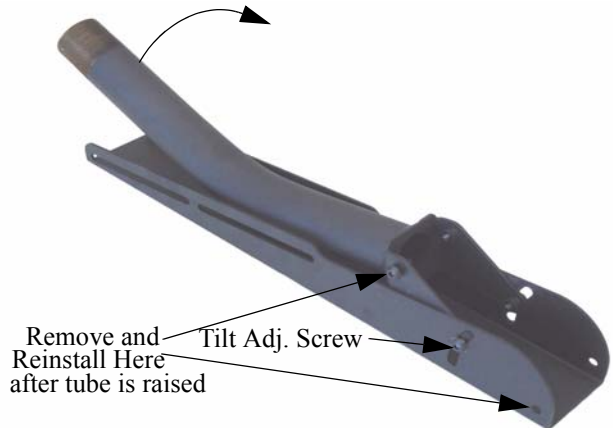


Figure 1. Raise tube of Body

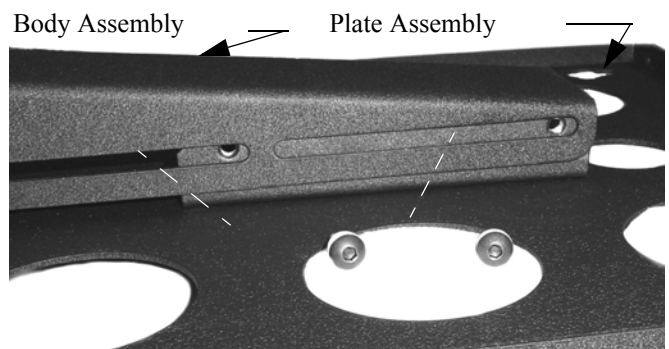


Figure 2. Assemble Body to Plate

INSTALL PSB-2095

The PSB-2095 parts list is shown in the table on this page.

1. Using a 10-24 button head cap screw inserted from the backside of the bracket (see Figure 3), secure the mounting button with the chamfered hole of mounting button (larger surface) facing the bracket (see Figure 4).
2. Repeat Step 1 to install the other three mounting buttons.

REF	DESCRIPTION	QTY
10	Plasma Bracket	1
20	10-24 x 1/2 Button Head Cap Screw	4
30	M5 x 20mm Button Head Cap Screw	4
40	M6 x 20mm Button Head Cap Screw	4
50	Mounting Buttons – Tapped	4
60	1/8" Allen Key	1
70	.875 OD x .33 ID x .375 Nylon Spacer	4
80	M4 Allen Key	1

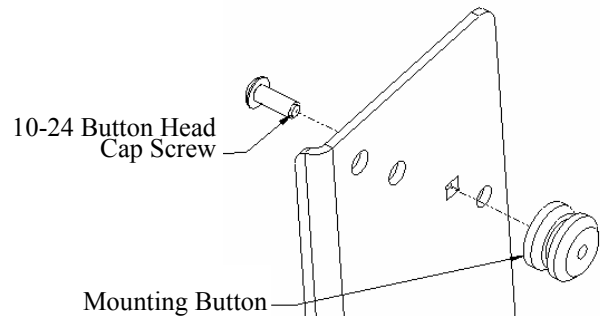


Figure 3. Mounting Button Attachment

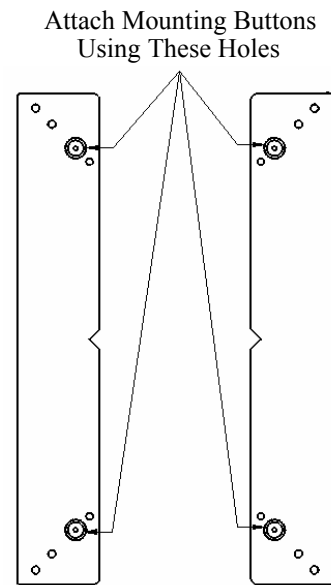


Figure 4. Mounting Button Location

INSTALL PSB-2095 (CONT'D)

3. Place nylon spacers over the mounting holes on the back of the screen (see Figure 5).
4. Attach mounting bracket to the display (see Figure 6), as follows:
 - a. For 32" screens, use the M5 screws.
 - b. For 42" and 50" screens, use the M6 screws.

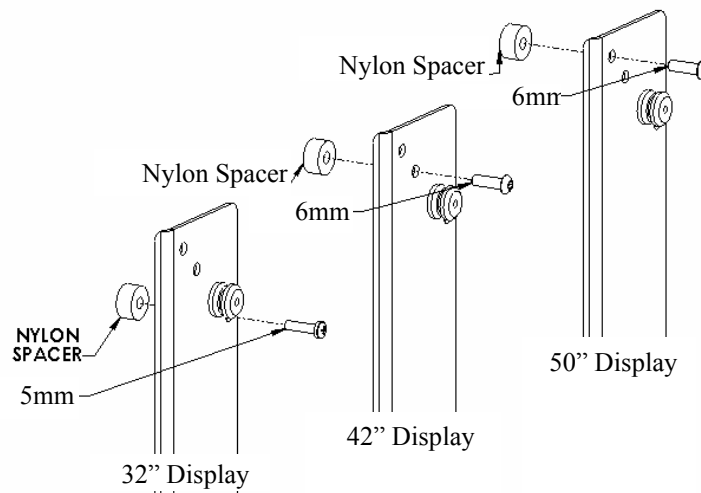


Figure 5. Bracket Hole Location

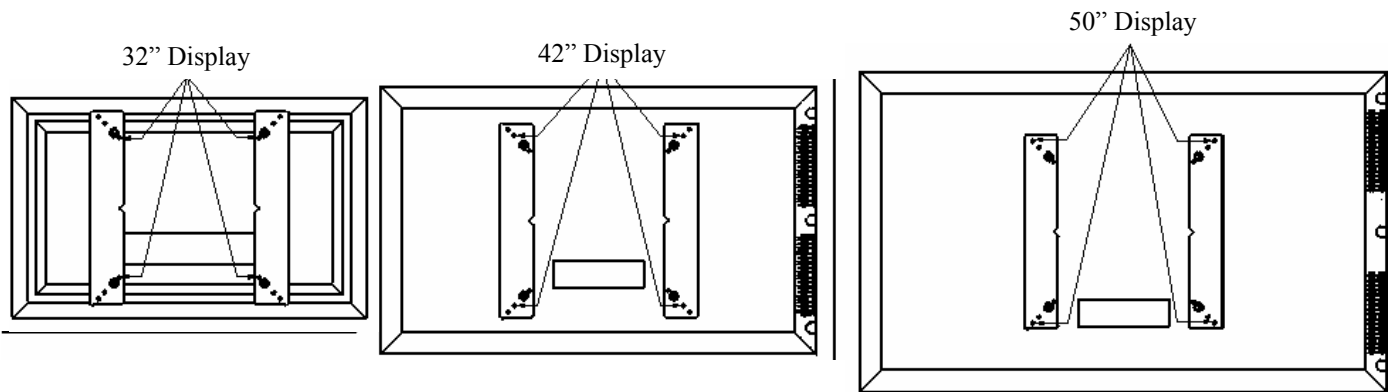


Figure 6. Bracket Attachment Location

MOUNTING PROCEDURES

1. Thread the mount onto the 1 1/2" NPT pipe extension/coupling you have provided.
2. Read and follow the hanging bracket instructions (PSB-2095) for your application (display model).
3. Make sure the mount is level (see "ADJUSTMENTS" on page 8, Roll) and latch is positioned so it will not obstruct plasma installation (see Figure 7).
4. With one person supporting each side of the display, align the four Q-latches with the four openings.
5. Secure the display by completely engaging the latch.
6. Lock the display in place by installing a Q-clamp on each side of the bottom of face plate as shown in Figure 8.
7. Connect and secure power/audio/video cables.

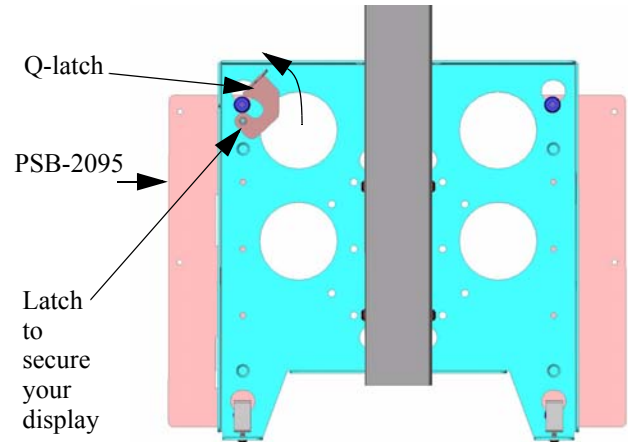


Figure 7. Mounting

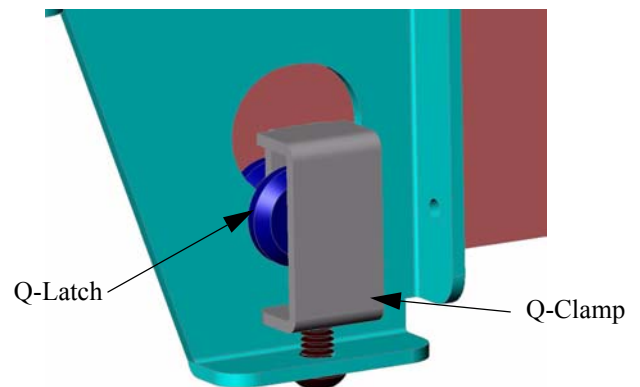


Figure 8. Install Q-Locks

ADJUSTMENTS

Height

1. Loosen four 5/16-18 button head cap screws (see Figure 9).
2. Adjust the height to the desired position.
3. Tighten the four 5/16-18 button head cap screws.

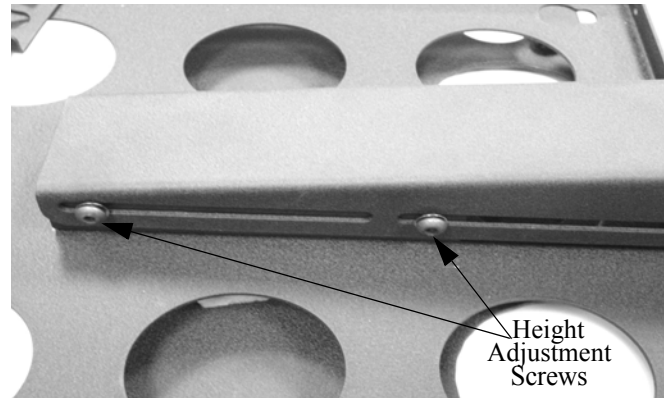


Figure 9. Height Adjustment

Roll

1. Loosen the two 3/8-16 Nylock nuts (see Figure 10).
2. Adjust the roll, using the slotted bottom holes, to the desired position.
3. Tighten the two 3/8-16 Nylock nuts.



Figure 10. Roll Adjustment

Tilt

1. Loosen the four 5/16-18 button head cap screws (see Figure 11).
2. Adjust to the desired tilt position.
3. Tighten the four 5/16-18 button head cap screws.

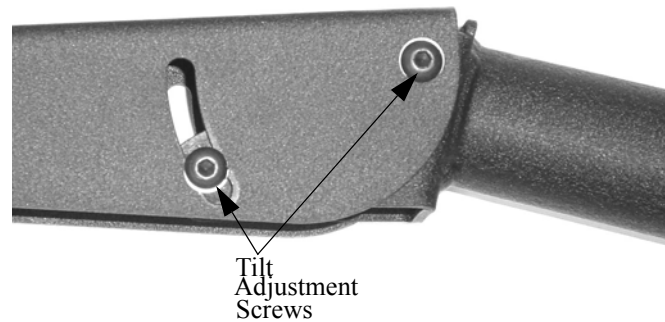


Figure 11. Tilt Adjustment