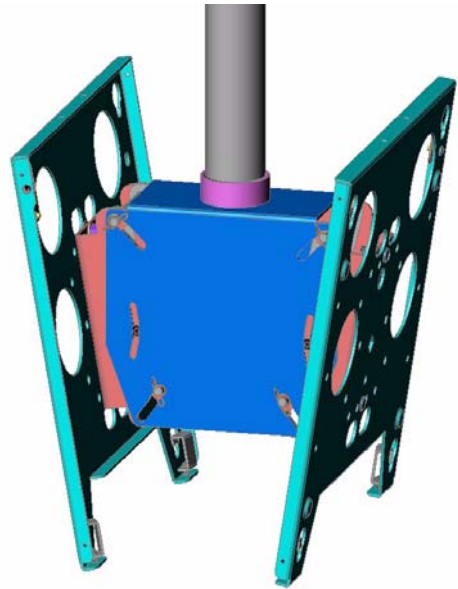

INSTALLATION INSTRUCTIONS

Plasma Dual Ceiling Mount Model MSP-SPDC (PDC Series)

The MSP-SPDC is quick and easy to install, providing a sturdy support for two flat panel display screens from a ceiling. Flat panel displays may be mounted horizontally (landscape) or vertically (portrait mode).

Chief's exclusive Q-latch™ mounting system makes installation and removal of flat panel displays easier and more secure. Q-latch clamps are included as an additional safety factor.

Each mounting surface features separate roll adjustment and gravity centered access point adjustment for easy pitch adjustment. Once adjusted for optimal viewing, the positioning is locked in place to prevent accidental alignment changes.



BEFORE YOU BEGIN

- **CAUTION:** To prevent damage to the mount, which could affect or void the Factory warranty, and to the equipment that will be attached to it, thoroughly study all instructions and illustrations before you begin the installation. Pay particular attention to the “Important Warnings and Cautions” on Page 2.
- The maximum weight to be installed on the wall mount is 300 pounds (136.08 kg).
- If you have any questions about this installation, contact Chief Manufacturing at 1-800-582-6480.



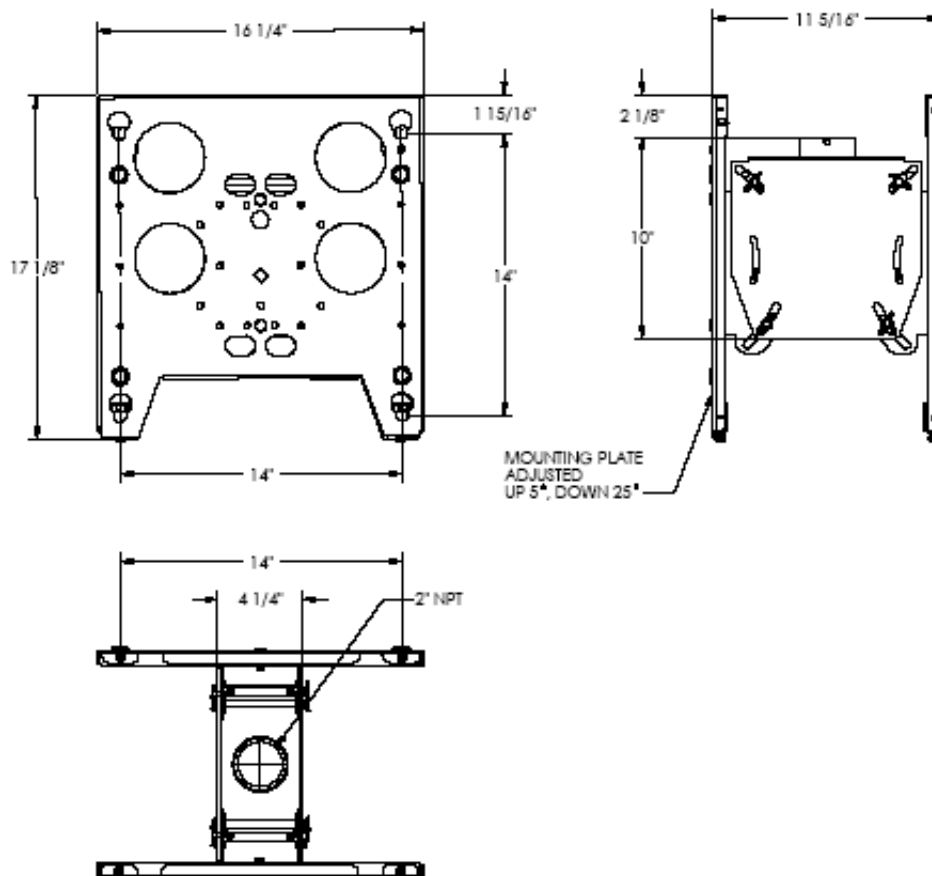
IMPORTANT WARNINGS AND CAUTIONS!

WARNING: A **WARNING** alerts you to the possibility of serious injury or death if you do not follow the instructions.

CAUTION: A **CAUTION** alerts you to the possibility of damage or destruction of equipment if you do not follow the corresponding instructions.

- **WARNING:** Improper installation can result in serious personal injury! Make sure that the ceiling structural members can support a redundant weight factor *five times* the total weight of the equipment. If not, reinforce the ceiling before installing the suspended ceiling kit.
- **WARNING:** Be aware also of the potential for personal injury or damage to the unit if it is not adequately mounted.
- **WARNING:** The installer is responsible for verifying that the ceiling to which the reinforcing plate on the mount is anchored will safely support the combined load of all attached components or other equipment.
- **WARNING:** The combined weight of both plasma display panels must not exceed 300 lbs (136.08 kg), the maximum load capacity of the reinforcing plate.
- **CAUTION:** To avoid personal injury or damage to the suspended ceiling kit, be sure that it is installed square and parallel in all dimensions. Avoid stressing the unit at any time while you are installing it.
- **CAUTION:** Check the unit for shipping damage before you begin the installation.

DIMENSIONAL DRAWING



CONTENTS

IMPORTANT WARNINGS AND CAUTIONS 2

DIMENSIONAL DRAWING 2

TOOLS REQUIRED FOR INSTALLATION 3

INSPECT THE UNIT BEFORE INSTALLING 3

INSTALL PSB-2095 4

ASSEMBLY PROCEDURES 6

ADJUSTMENTS 7

TOOLS REQUIRED FOR INSTALLATION

- Pipe wrench
- 5/16” Allen Wrench
- 1/2” wrench
- Other tools may be required depending on the method of installing the unit in the ceiling.

INSPECT THE UNIT BEFORE INSTALLING

WARNING: Watch for pinch points. Do not put your fingers between movable parts.

1. Carefully inspect the mount for shipping damage. If any damage is apparent, call your carrier claims agent and do not continue with the installation until the carrier has reviewed the damage.

NOTE: Read all instructions before starting installation.

2. Lay out components to ensure you have all the required parts before proceeding:
 - One MSP-SPDC (see “DIMENSIONAL DRAWING” on page 2).
 - One PSB-2095 Package (see PSB Instruction Sheet for contents of this package).

INSTALL PSB-2095

The PSB-2095 parts list is shown in the table on this page.

1. Using a 10-24 button head cap screw inserted from the backside of the bracket (see Figure 2), secure the mounting button with the chamfered hole of mounting button (larger surface) facing the bracket (see Figure 3).
2. Repeat Step 1 to install the other three mounting buttons.

REF	DESCRIPTION	QTY
10	Plasma Bracket	1
20	10-24 x 1/2 Button Head Cap Screw	4
30	M5 x 20mm Button Head Cap Screw	4
40	M6 x 20mm Button Head Cap Screw	4
50	Mounting Buttons – Tapped	4
60	1/8" Allen Key	1
70	.875 OD x .33 ID x .375 Nylon Spacer	4
80	M4 Allen Key	1

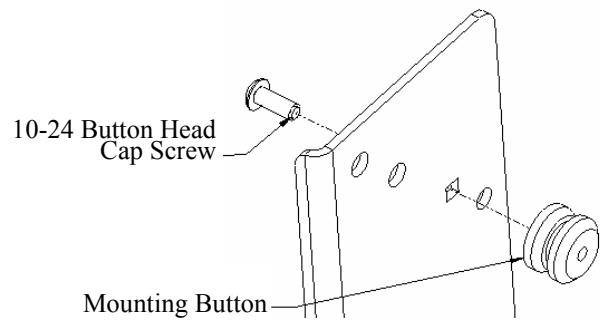


Figure 2. Mounting Button Attachment

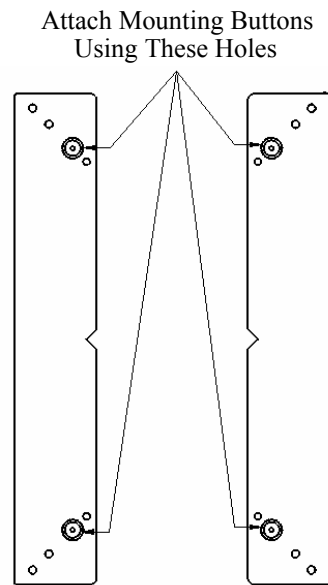


Figure 3. Mounting Button Location

INSTALL PSB-2095 (CONT'D)

3. Place nylon spacers over the mounting holes on the back of the screen (see Figure 4).
4. Attach mounting bracket to the display (see Figure 5), as follows:
 - a. For 32" screens, use the M5 screws.
 - b. For 42" and 50" screens, use the M6 screws.

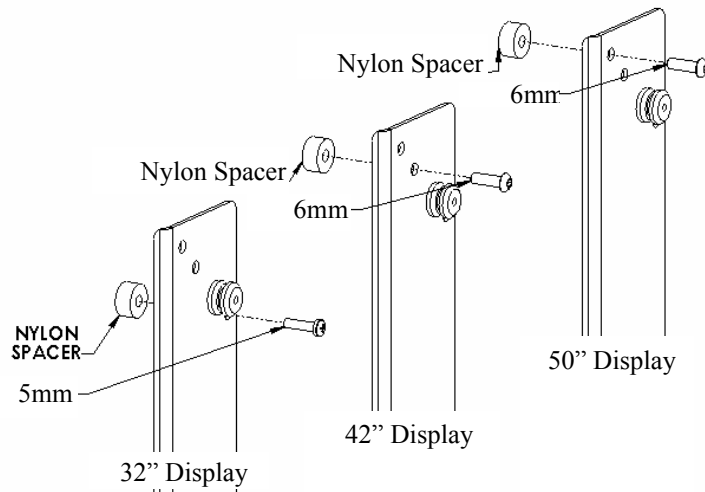


Figure 4. Bracket Hole Location

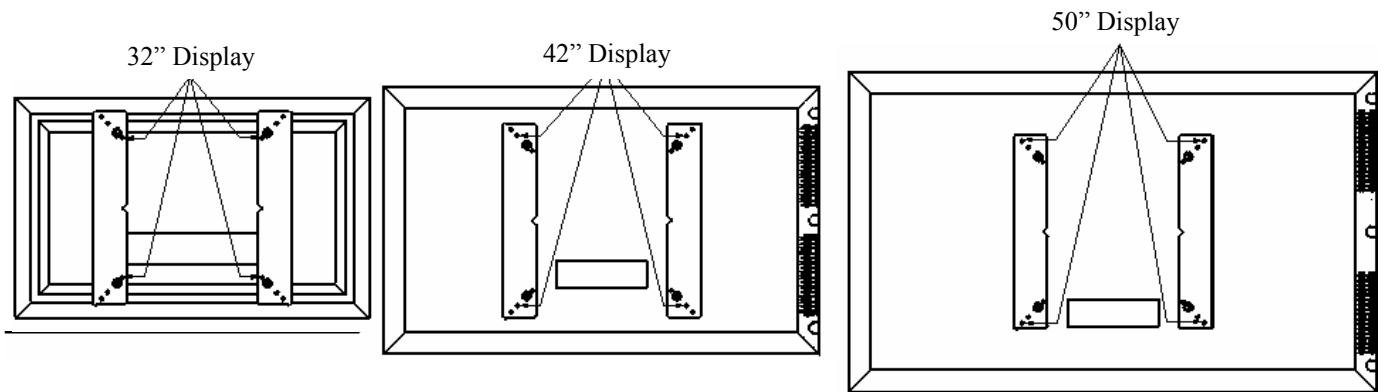


Figure 5. Bracket Attachment Location

ASSEMBLY PROCEDURES

1. Thread the mount onto the 2" NPT pipe extension you have provided.

WARNING: Watch for pinch points. Do not put your fingers between movable parts.

2. Read and follow the hanging bracket instructions (PSB-2095) for your application (display model). Refer to Step 4, "INSTALL PSB-2095 (CONT'D)" on page 5
3. Before lifting the first flat panel display onto the mount, make sure the latching flag is lowered and will not interfere with mounting the plasma (see Figure 6).
4. Using two people, align the Q-latch buttons with the Q-latch openings (see Figure 7) and install the display.
5. Secure the display by completely engaging all the Q-latch openings on the mount (see Figure 8).
6. Lock the display in place by installing a Q-clamp on each side of the bottom of face plate as shown in Figure 9.
7. Repeat Step 2 through Step 6 to install the second flat panel display onto the mount.
8. Connect and secure power/audio/video cables.

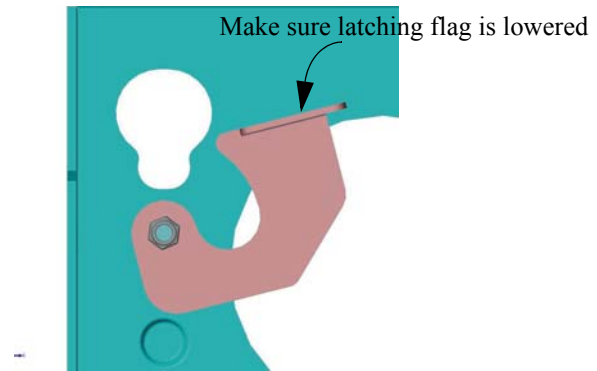


Figure 6. Lower Latching Flag

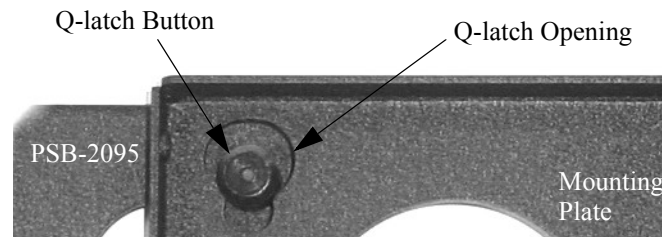


Figure 7. Align Q-latch Buttons with Q-latch Openings

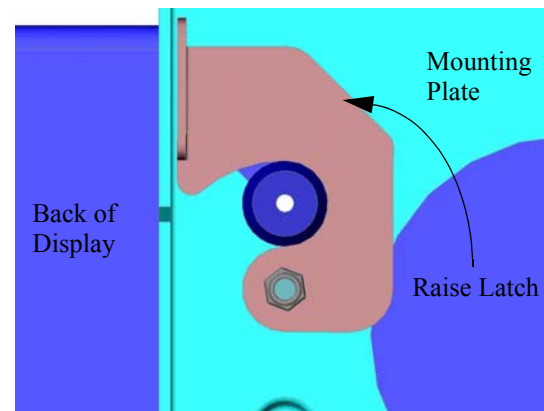


Figure 8. Engage Latching Flag

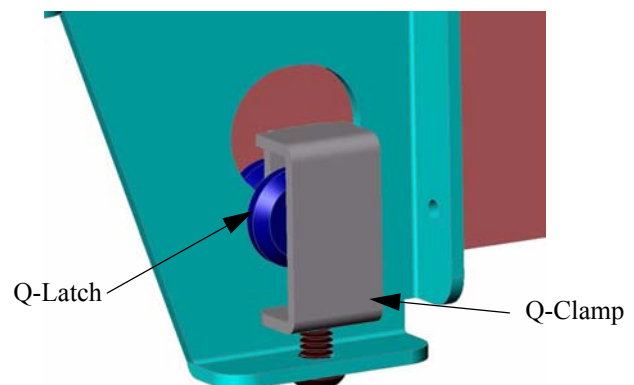


Figure 9. Install Q-Locks

ADJUSTMENTS

Roll Adjustment

1. Loosen the two 3/8-16 Nylock nuts (see Figure 10).
2. Adjust the roll, using the slotted bottom holes, to the desired position.
3. Tighten the two 3/8-16 Nylock nuts.

Pitch Adjustment

1. Loosen the four 5/16-18 button head cap screws (see Figure 11).
2. Adjust to the desired tilt position.
3. Tighten the four 5/16-18 button head cap screws.

REMOVE THE DISPLAY

1. Disconnect power/audio/video cables.
2. Remove the two Q-clamps.
3. Disengage (lower) the latch.
4. Using two people, lift the display from the mount.

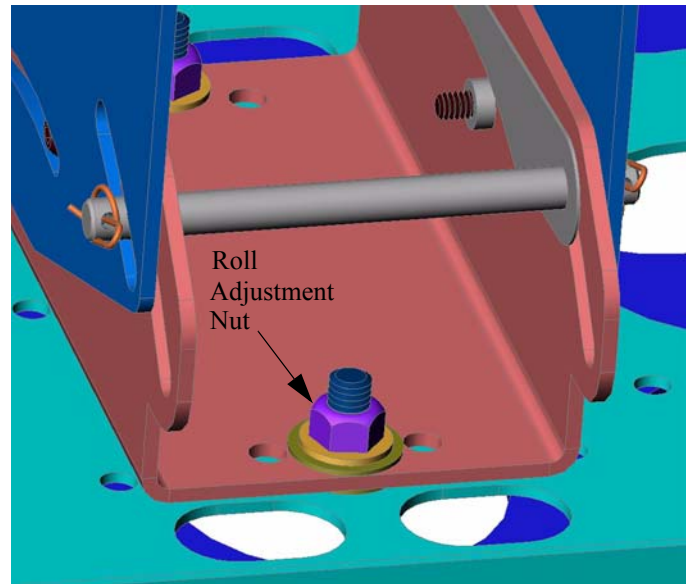


Figure 10. Adjust Roll

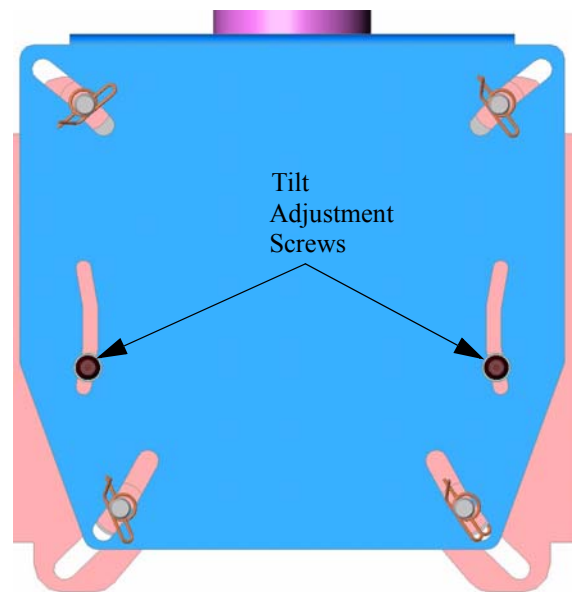


Figure 11. Adjust Pitch

