
INSTALLATION INSTRUCTIONS

Plasma Swivel Stand Model MSP-SPSS (PSS-2000)

The MSP-SPSS is available in black and silver. The stand securely mounts your large flat panel display resulting in a stylish solution for residential, commercial and business applications.

The mounting plate is compatible with the PSB-2095 interface bracket.

Features include \pm 45 degrees of swivel, free standing with bolt down capability for permanent installation or security, infinite height adjustment of five inches and two cable options for ease of installation.

The stand swivel feature offers optional stops at \pm 15 degrees, 25 degrees, or 35 degrees. The infinite height of five inches allows for different screen heights up to 32 inches and cables may extend from the back of the display or be routed through an access hole in the middle of the stand.

The stand uses Chief's exclusive Q-Latch™ Mounting System for easy installation, stable mounting and quick release. A video conferencing shelf, aesthetic cover kit, and Q-clamps for added security are available.



BEFORE YOU BEGIN

- **Caution:** To prevent damage to the stand, which could affect or void the Factory warranty, and to the equipment that will be attached to it, thoroughly study all instructions and illustrations before you begin the installation. Pay particular attention to the "Important Warnings and Cautions" on Page 2.
- The maximum weight to be installed on the stand is 150 lbs (68.36).
- If you have any questions about this installation, contact Chief Manufacturing at 1-800-582-6480.



IMPORTANT WARNINGS and CAUTIONS!

WARNING: A **WARNING** alerts you to the possibility of serious injury or death if you do not follow the instructions.

CAUTION: A **CAUTION** alerts you to the possibility of damage or destruction of equipment if you do not follow the corresponding instructions.

- **WARNING: Improper installation can result in serious personal injury! Make sure that the structural members can support a redundant weight factor *five times* the total weight of the equipment: if not, reinforce the structure before installing the table stand.**
- **WARNING: Be aware also of the potential for personal injury or damage to the unit if it is not adequately mounted.**
- **CAUTION:** Inspect the unit for shipping damage.
- **CAUTION:** Do not use cleanser or harsh cleaning agents on displays.

CONTENTS

IMPORTANT WARNINGS AND CAUTIONS . 2

TOOLS REQUIRED FOR INSTALLATION 3

PARTS LIST 3

INSTALL PSB-2095 4

STAND ASSEMBLY PROCEDURES 6

DISPLAY INSTALLATION PROCEDURES ... 8

STAND ADJUSTMENT PROCEDURES 8

STAND ANCHORING PROCEDURES 9

CABLE MANAGEMENT 9

TOOLS REQUIRED FOR INSTALLATION

- Phillips screwdriver
- Other tools may be required depending on the method of installation.

PARTS LIST

Unpack the carton and verify the contents listed in Table 1 on page 3. If you are missing any of the listed parts, contact Customer Service at: 1-800-582-6480.

Table 1: Parts List

REF	DESCRIPTION	QTY
10	Stand Assembly	1
20	Bumper, rubber	5
30	Wrench, Allen, 3/16"	1
40	Wrench, Allen, 5/32"	1
50	Template, paper (Not Shown)	1

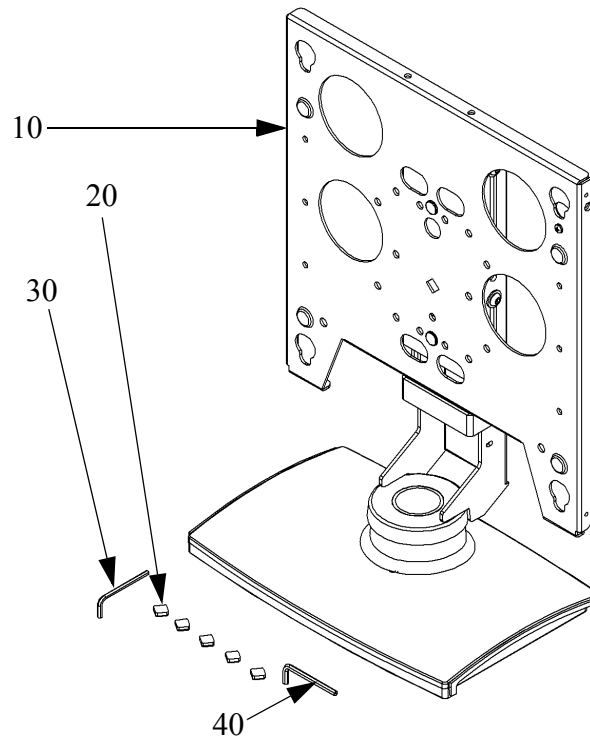


Figure 1. Parts

INSTALL PSB-2095

The PSB-2095 parts list is shown in the table on this page.

1. Using a 10-24 button head cap screw inserted from the backside of the bracket (see Figure 2), secure the mounting button with the chamfered hole of mounting button (larger surface) facing the bracket (see Figure 3).
2. Repeat Step 1 to install the other three mounting buttons.

REF	DESCRIPTION	QTY
10	Plasma Bracket	1
20	10-24 x 1/2 Button Head Cap Screw	4
30	M5 x 20mm Button Head Cap Screw	4
40	M6 x 20mm Button Head Cap Screw	4
50	Mounting Buttons – Tapped	4
60	1/8" Allen Key	1
70	.875 OD x .33 ID x .375 Nylon Spacer	4
80	M4 Allen Key	1

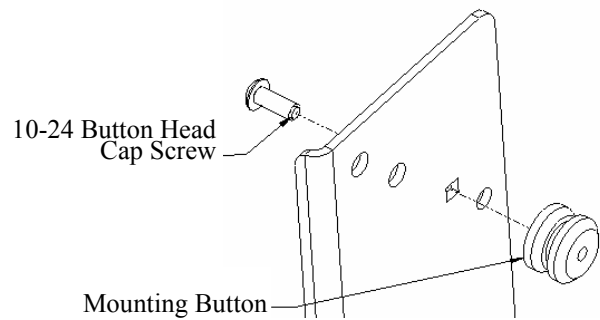


Figure 2. Mounting Button Attachment

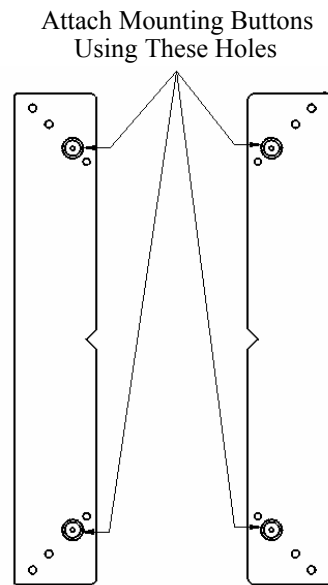


Figure 3. Mounting Button Location

INSTALL PSB-2095 (CONT'D)

3. Place nylon spacers over the mounting holes on the back of the screen (see Figure 4).
4. Attach mounting bracket to the display (see Figure 5), as follows:
 - a. For 32" screens, use the M5 screws.
 - b. For 42" and 50" screens, use the M6 screws.

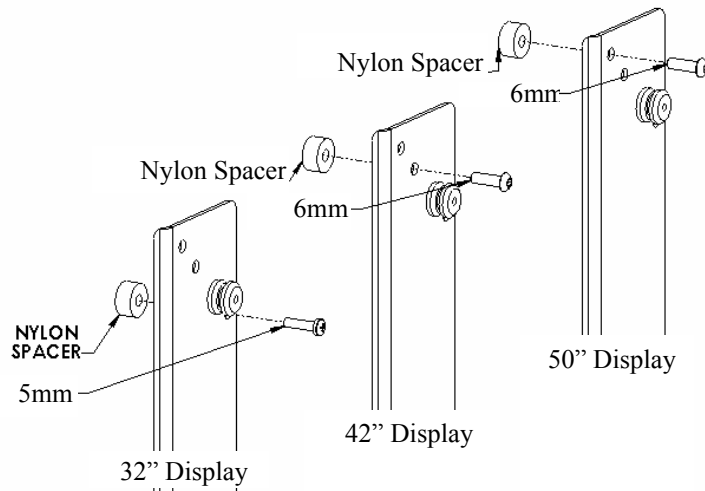


Figure 4. Bracket Hole Location

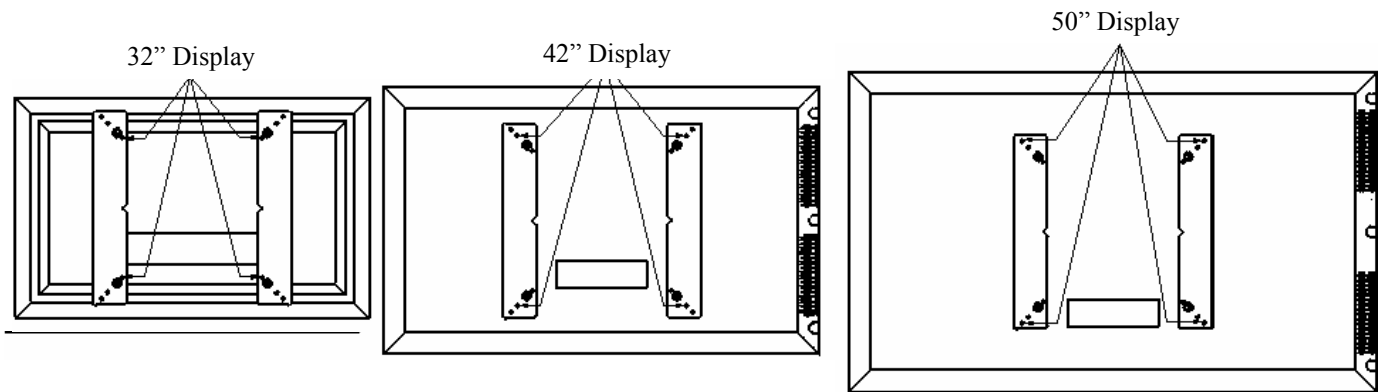


Figure 5. Bracket Attachment Location

STAND ASSEMBLY PROCEDURES

Free Standing (not anchored) Applications Only:

NOTE: Do not perform this step if you are going to anchor the stand to a surface.

1. Install five rubber bumpers on the bottom of the stand (see Figure 6).

Display Measuring 30 Inches or Smaller In Height:

NOTE: Stand comes assembled for displays 30" in height or less and lowered to its minimum height for shipment.

1. Loosen the four height adjustment screws and raise the slide to its maximum height (see Figure 7).
2. Secure the slide in place by tightening the four height adjustment screws.

Display Measuring More Than 30 Inches In Height:

1. Remove the slide from the base by removing four height adjustment screws (see Figure 8).
2. Remove the front plate from the slide by removing two nuts securing the front plate (see Figure 8).
3. Install the front plate in the upper mounting holes of slide and secure using the two nuts removed in the previous step (see Figure 9).
4. Install the slide on the base using the four height adjustment screws (see Figure 8).
5. Raise the slide to its maximum height (see Figure 7).
6. Secure the slide in place by tightening the four height adjustment screws.

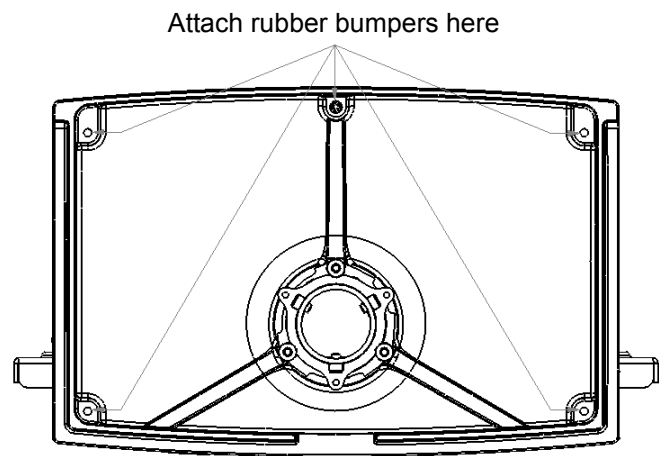


Figure 6. Free Standing Installations Only

Adjust height using these screws

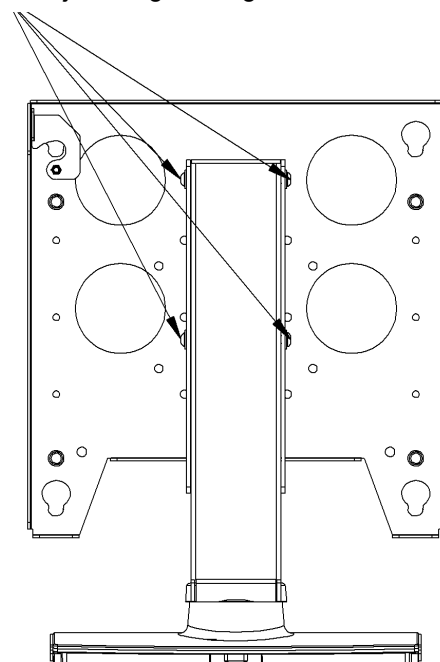


Figure 7. Height Adjustment

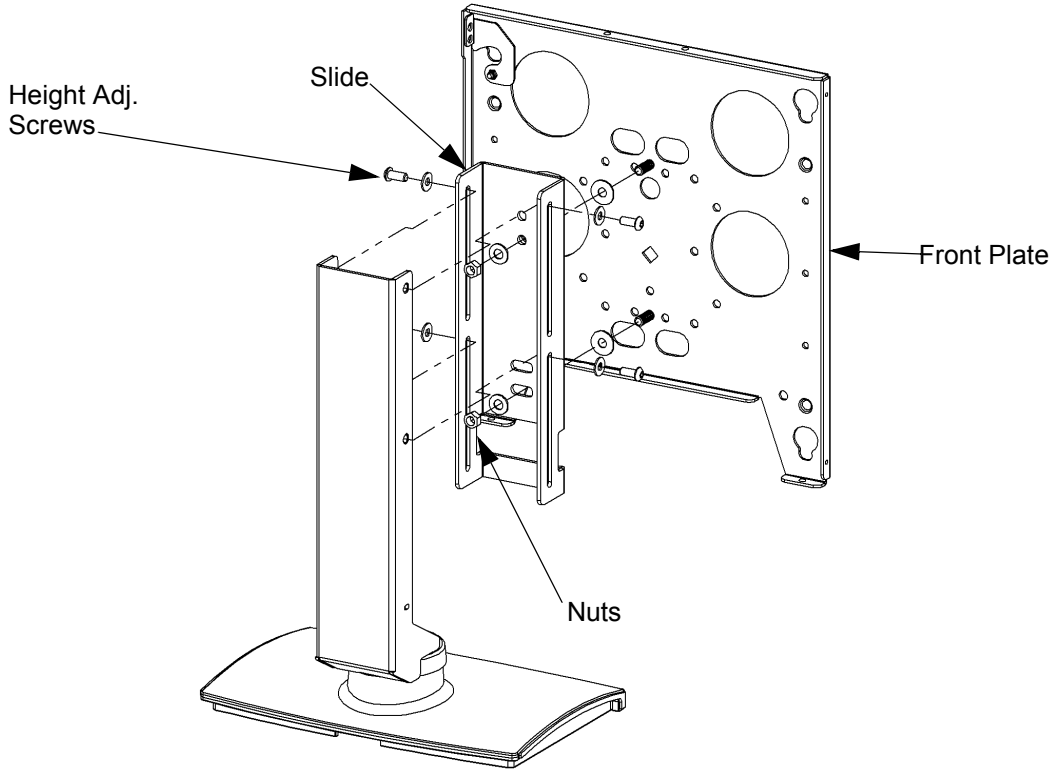


Figure 8. Stand Assembly

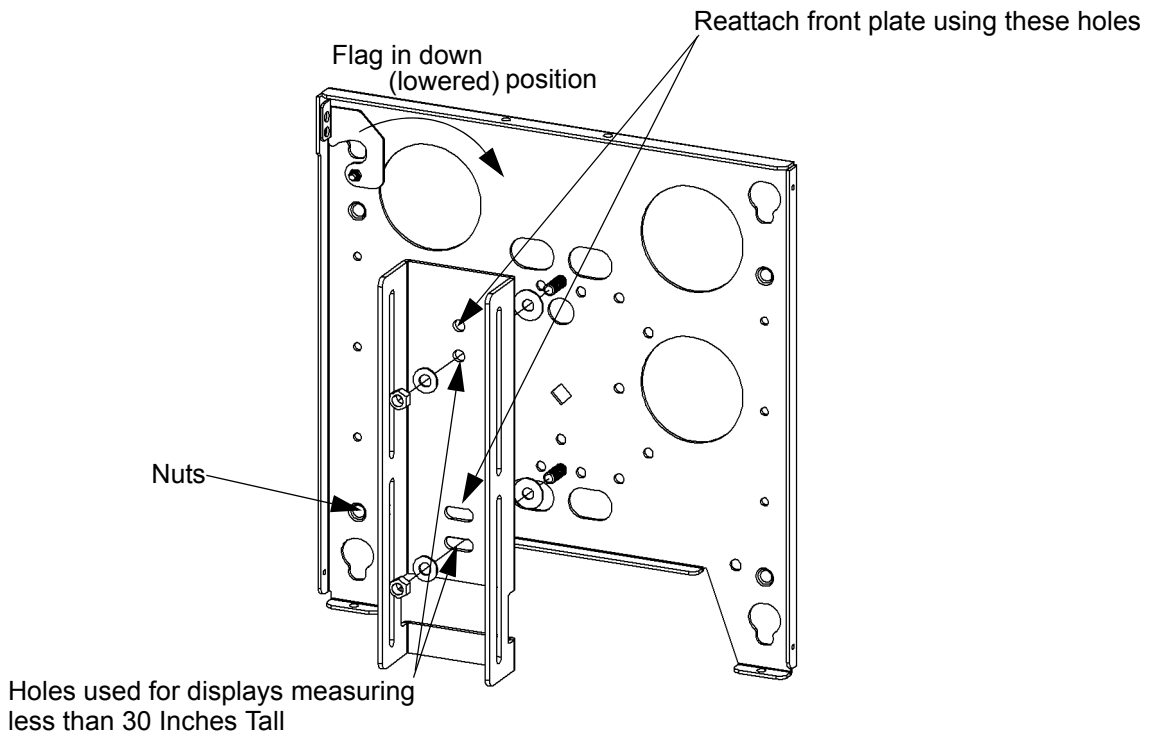


Figure 9. For displays Taller Than 30 Inches

DISPLAY INSTALLATION PROCEDURES

Install the display as follows:

1. Make sure the latching flag of the stand is in the open (lowered) position (see Figure 9).
2. Align the mounting buttons of the PSB bracket, installed on your display, with the teardrop slots in the mounting plate of the stand.
3. Lower the display into place and raise the latching flag to secure the display. If the latching flag will not engage completely, the display is not properly mounted. Make sure the mounting buttons rest at the bottom of the teardrop slots.

STAND ADJUSTMENT PROCEDURES

Adjust display height as follows:

CAUTION: Displays are fragile. Allowing the display to drop to the bottom of stand travel may result in damage to the display.

1. While holding the display in place, loosen the four height adjustment screws (see Figure 7).
2. Position the display to the desired height.
3. Tighten the four height adjustment screws (see Figure 7).

Adjust stand tension as follows:

1. With the display secured to the stand assembly, check swivel tension.
2. If tension adjustment is necessary, slightly tighten or loosen adjustment screws on stand assembly (see Figure 10).
3. Repeat Step 1 and Step 2 as necessary.

Adjust stand swivel stop as follows:

1. If desired, insert the 10-24 X 1/2" Phillips head cap screw in one of the three swivel stop holes (15, 25 or 35 degrees) in the base of the stand (see Figure 11).

Adjust swivel tension using these screws

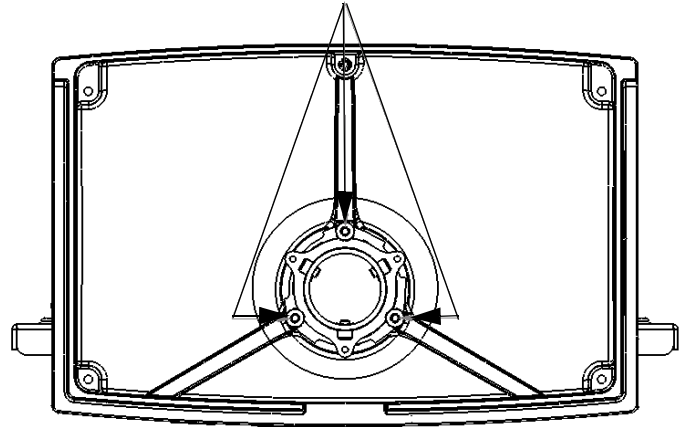


Figure 10. Tension Adjustment Screws

Select swivel stop by inserting 10-24 X 1/2" Phillips head screw in one of these holes

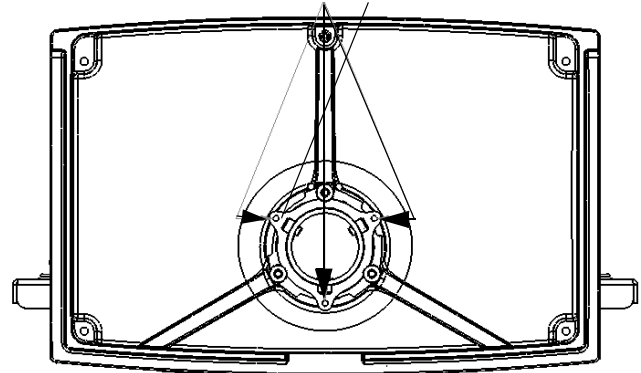


Figure 11. Swivel Stops (15, 25 or 35 Degrees)

STAND ANCHORING PROCEDURES

NOTE: Due to the wide variety of anchoring options, hardware is not provided.

Anchor stand follows:

1. Select a suitable location for anchoring, allowing for room for swivel and access for cabling.
2. Using the template provided, drill anchoring holes for the four 1/4-20 X 1/2" tapped holes (see Figure 12).
3. If routing cables through mounting surface, Use the template provided and drill the cable access hole in the mounting surface.

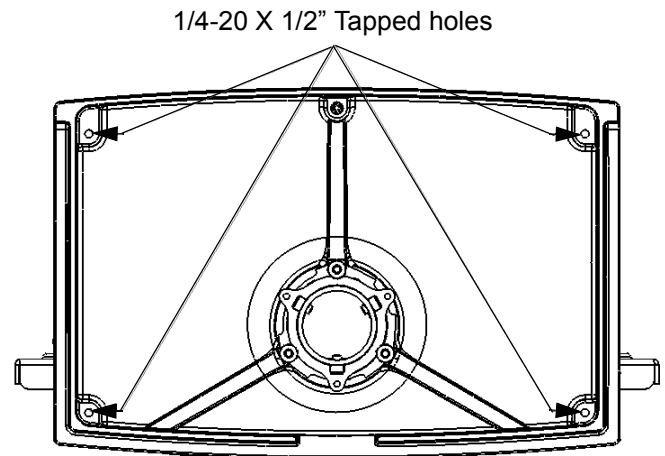


Figure 12. Anchoring Hole Locations

CABLE MANAGEMENT

Install cables as follows:

1. Attach cabling to flat panel display.
2. Route cables in one of three ways:
 - a. down the back of the display (open),
 - b. through the center post of the stand and out the bottom of the stand in the back,
 - c. through the center post of the stand and through a hole in the mounting surface.

