
INSTALLATION INSTRUCTIONS

LARGE FLAT PANEL DISPLAY STATIC MOUNT MSP-SPST (PST-16)

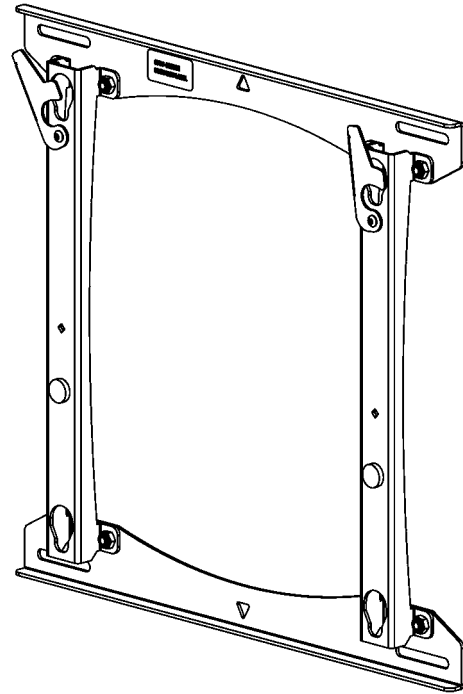
The static wall mount accommodates large flat panel displays weighing up to 200 lbs (90.72kg). The teardrop holes in the mount allow for quick connect/disconnect of the screen, thus simplifying installation and maintenance processes.

The top and bottom mounting brackets are adaptable to supporting framework with wood studs that are 16" on center.

The mount has integrated lateral shift. For dual wood studs 16" on center, the lateral shift is one inch.

After installing the flat panel display on the mount, the display can be locked in place using the convenient locking flag. A padlock can be used on the latching flag for added security.

Whether mounted in the portrait or landscape position, the mount is concealed behind the display, making it a low profile wall mount.



MSP-SPST

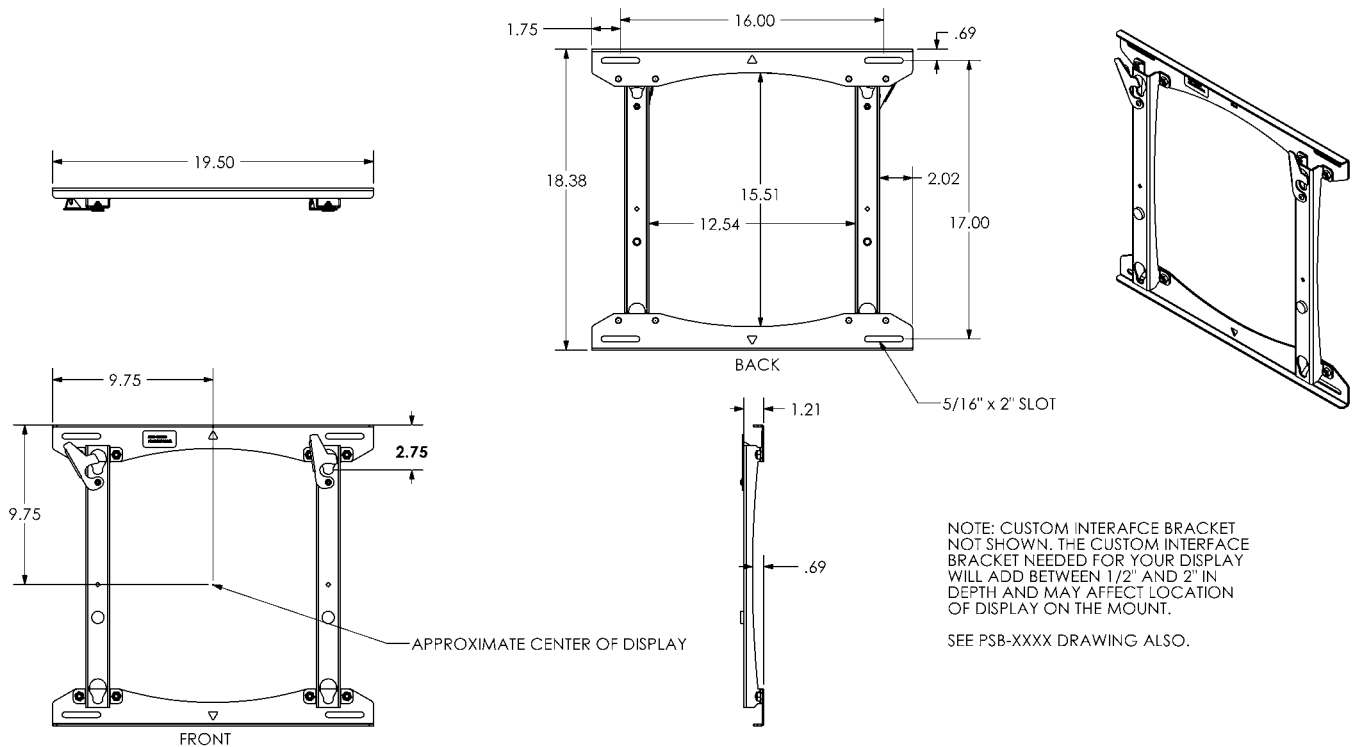
BEFORE YOU BEGIN

- **CAUTION:** To prevent damage to the mount, which could affect or void the Factory warranty, thoroughly study all instructions and illustrations before you begin to install the mount brackets. Pay particular attention to the "Important Warnings and Cautions" on Page 2.
- The mount is designed to be installed using wall studs or supporting framework. The fasteners used to anchor the mount must be capable of supporting five times the total weight of the equipment.
- The maximum weight to be installed on the PST-16 mount is 200 lbs (90.72kg).
- If you have any questions about this installation, contact Chief Manufacturing at 1-800-582-6480 or 952-894-6280.

! IMPORTANT WARNINGS and CAUTIONS!

- WARNING** A **WARNING** alerts you to the possibility of serious injury or death if you do not follow the instructions.
- CAUTION** A **CAUTION** alerts you to the possibility of damage or destruction of equipment if you do not follow the corresponding instructions.
- **WARNING** **Improper installation can result in serious personal injury! Make sure that the mounting surface can support a redundant weight factor *five times* the total weight of the equipment: if not, reinforce the structure before installing the mount.**
- **WARNING** **Be aware of the potential for personal injury or damage to the unit if it is not adequately mounted.**
- **WARNING** **The installer is responsible for verifying that the wall to which the mount is anchored will safely support the combined load of all attached components or other equipment.**
- **WARNING** **The weight of the large flat screens must not exceed 200 lbs (90.72kg), the maximum load capacity of the mount.**
- **WARNING** **Watch for pinch points. Do not put your fingers between movable parts.**
- **WARNING** **Make sure the flag securing the display is completely lowered at all times *except* when removing or installing the display. The flag must be all the way down when installing/removing cables**
- **CAUTION** **Inspect the unit for shipping damage before you begin the installation.**

DIMENSIONAL DRAWING



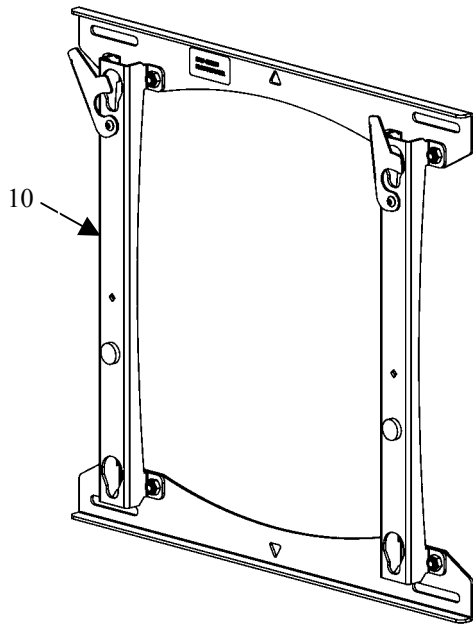
CONTENTS

DIMENSIONAL DRAWING.....2
 TOOLS REQUIRED FOR INSTALLATION3
 PARTS LIST3
 INSTALLATION.....4
 Select Mounting Location4
 Install the Mount5
 Install PSB-2095.....6
 Install the Display.....8
 REMOVE THE DISPLAY8

TOOLS REQUIRED FOR INSTALLATION

- Drill and drill bit set
- Socket wrench set

NOTE: Other tools may be required depending on your method of installation.



PARTS LIST

Prior to assembly, unpack the carton completely. Verify contents listed in Table 1 and Figure 1.

Read installation instructions completely. If you are missing any of the listed parts, contact Customer Service at: 1-800/582-6480.

Table 1. Parts List

REF	DESCRIPTION	QTY
10	PST-16 Plasma Static Mount	1
—	Lag Bolts, 5/16” (required, not supplied)	4
—	Flat Washer, (required, not supplied)	4

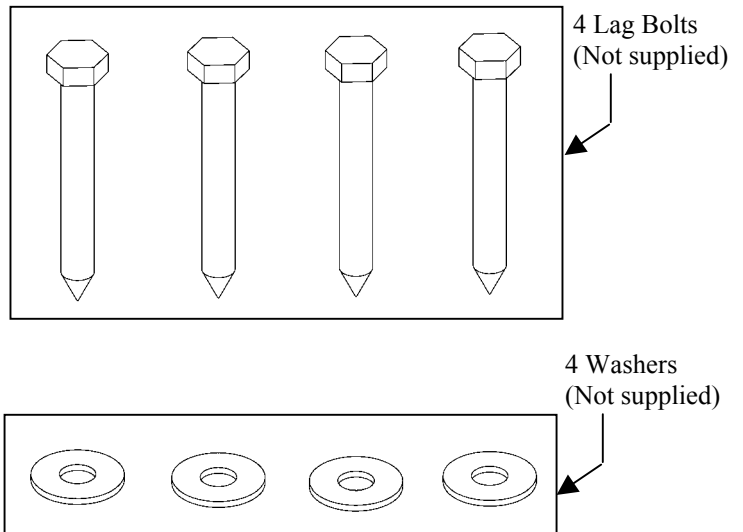


Figure 1. Parts

INSTALLATION

Perform the following procedures to install the mount.

Select Mounting Location

To select the mounting location, do the following:

WARNING: It is the responsibility of the installer to verify that the wall to which the mount is anchored will safely support the combined load of all attached components and equipment.

1. Determine the exact mounting location to install the wall mount prior to installation, keeping in mind the screen size.

NOTE: Install the mount on dual wall studs or some other equivalent supporting framework.

2. Using a stud sensor, locate the two wood studs where you will install the mount between two wood studs that are 16" apart on center (see Figure 3).
3. Using a nail as a temporary hook, hang the mount on the wall using the triangular hole located in the center of the mount (see Figure 2).
4. Use a pencil to mark the mounting holes where the four pilot holes will be drilled into the center of the wood stud. Make sure the mounting holes are square and straight. Remove the mount from the wall, placing it on the floor or a table.

NOTE: Lag bolts are not supplied.

5. Drill the pilot holes using the correct drill bit for the lag bolt size being used. For example: Use a 7/32" drill bit for 5/16" lag bolts.

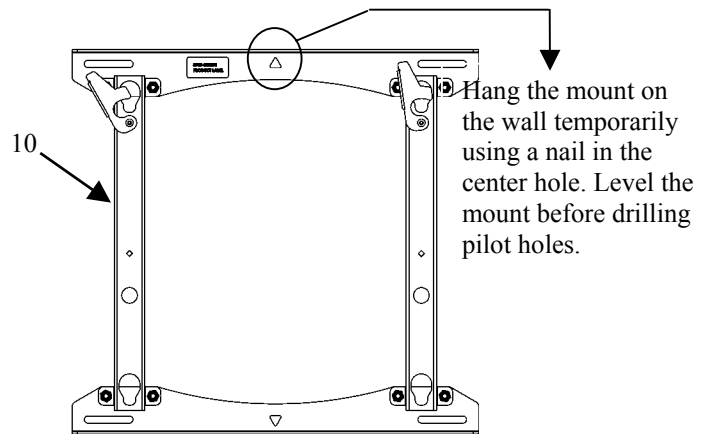


Figure 2. Use Triangular Hole to Hang the Mount

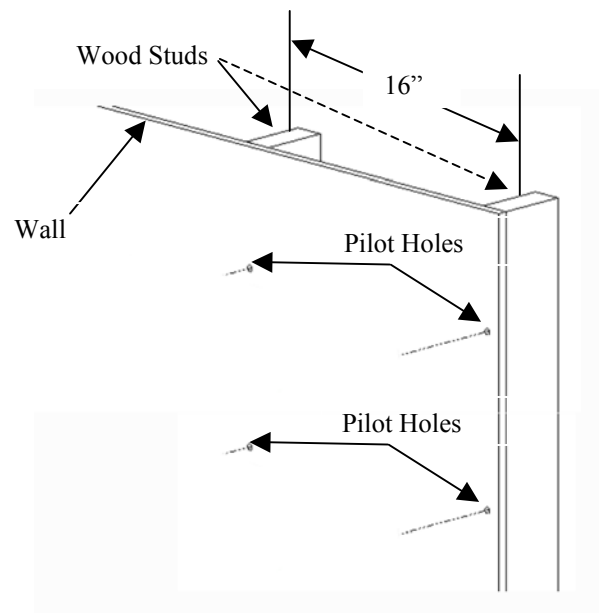


Figure 3. Wood Studs 16" Apart on Center

INSTALLATION (Cont'd)

Install the Mount

To install the mount, do the following:

NOTE: The mounting holes are slotted to allow for a small degree of lateral movement. The mount can be centered, or shifted to the left of center, or right of center depending on stud location.

NOTE: Lag bolts and washers are not supplied. The lag bolts must be driven into the support wall studs or other supporting framework.

1. Install the lag bolts and washers (two top and two bottom) into the mounting holes, centering the mount on dual wood studs 16" apart on center as shown in Figure 4.
2. Tighten the lag bolts.

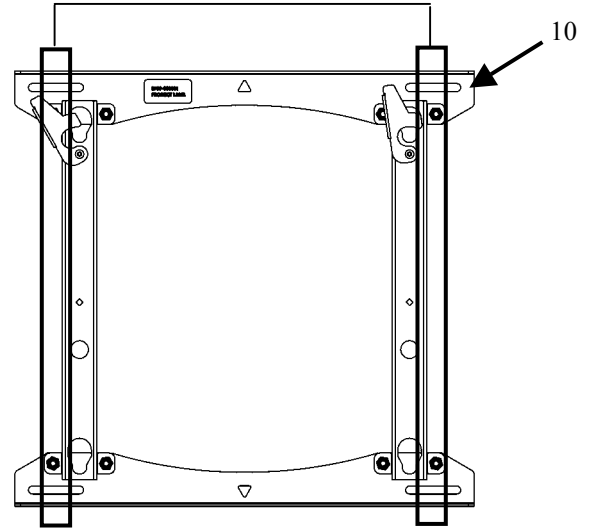


Figure 4. Mounting Holes – 16" Apart on Center

Install PSB-2095

Table 2 provides the PSB-2095 parts list.

To install PSB-2095, do the following:

1. Using a 10-24 button head cap screw inserted from the backside of the bracket (see Figure 5), secure the mounting button with the chamfered hole of mounting button (larger surface) facing the bracket (see Figure 6).
2. Repeat Step 1 to install the other three mounting buttons.

Table 2. PSB-2095 Parts List

REF	DESCRIPTION	QTY
10	Plasma Bracket	1
20	10-24 x 1/2 Button Head Cap Screw	4
30	M5 x 20mm Phillips Head Cap Screw	4
40	M6 x 20mm Button Head Cap Screw	4
50	Mounting Buttons – Tapped	4
60	1/8 Allen Key	1
70	.875 OD x .33 ID x .375 Nylon Spacer	4
80	M4 Allen Key	1

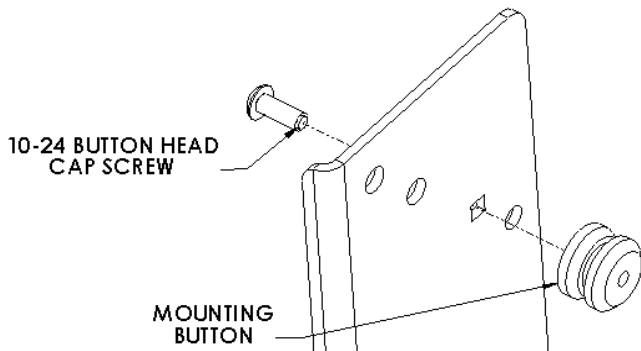


Figure 5. Mounting Button Attachment

ATTACH MOUNTING BUTTONS USING THESE HOLES

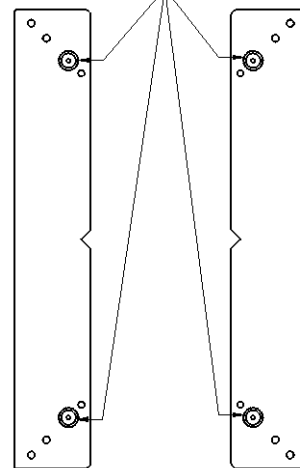


Figure 6. Mounting Button Location

Install the Display (Cont'd)

3. Place nylon spacers over the mounting holes on the back of the screen (see Figure 7).
4. Attach mounting bracket to the display (see Figure 8), as follows:
 - a. For 32" screens, use the M5 screws.
 - b. For 42" and 50" screens, use M6 screws.

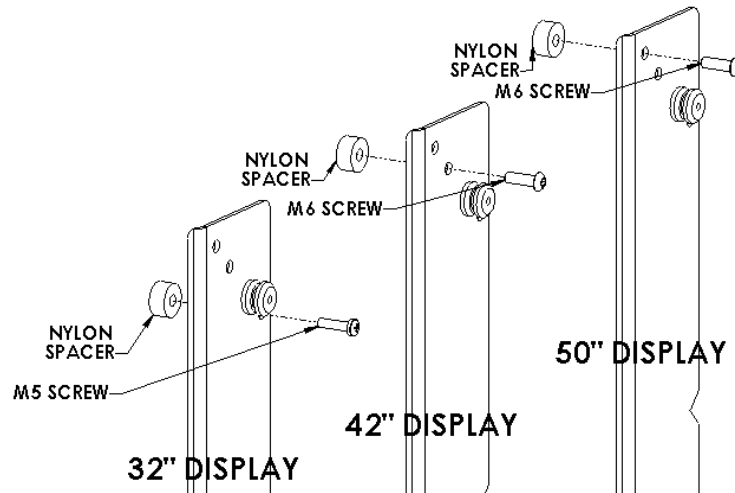


Figure 7. Bracket Hole Location

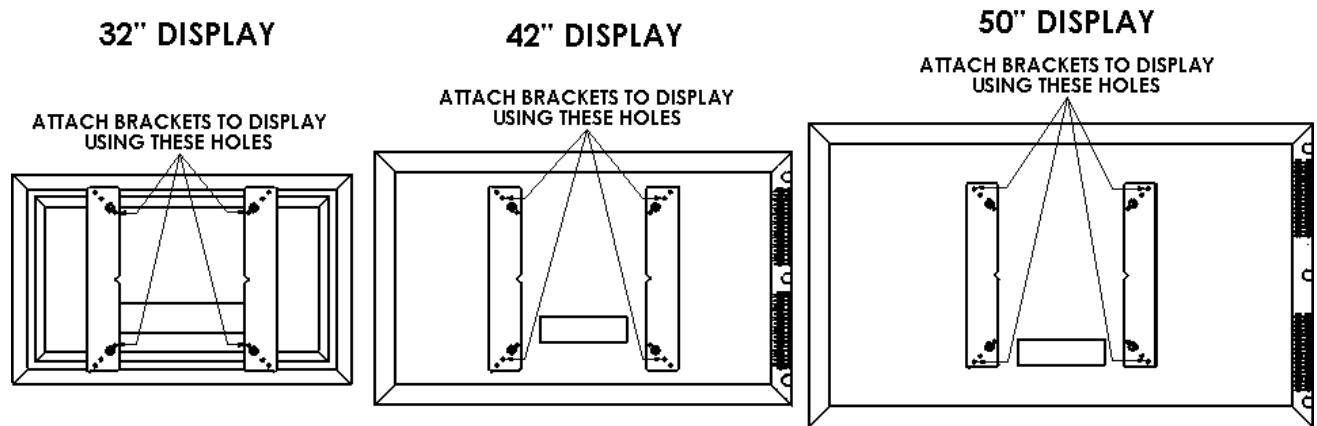


Figure 8. Attach Brackets to Display

Install the Display

To install the display, do the following:

NOTE: Verify that all power/audio/video cables are disconnected from the display and the latching flag is lowered in the down position before attempting to mount the display.

1. With the aid of another person, lift the display up to the mount (10) on the wall, aligning mounting buttons on the PSB with the teardrop slots on the mount, and lower the display firmly into place.
2. Raise the latching flag (2 places) to secure the display (see Figure 9). If the flag does not fully engage, check to ensure the mounting buttons are fully seated in the slots.

NOTE: A padlock may be installed through the hole in the latching flag for additional security.

REMOVE THE DISPLAY

To remove the display from the mount, do the following:

1. Disconnect all power/audio/video cables.
2. Lower the latching flag to unlock the display (see Figure 9).
3. With the aid of another person, lift the display up and out of the teardrop slots in the mount to remove the display.

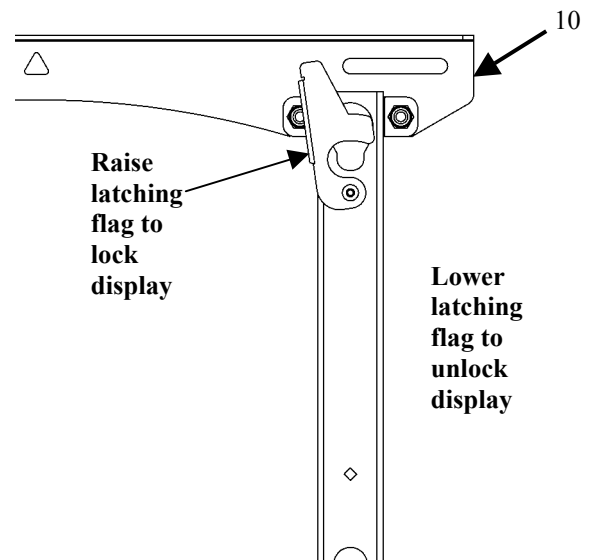


Figure 9. Latching Flag