
INSTALLATION INSTRUCTIONS

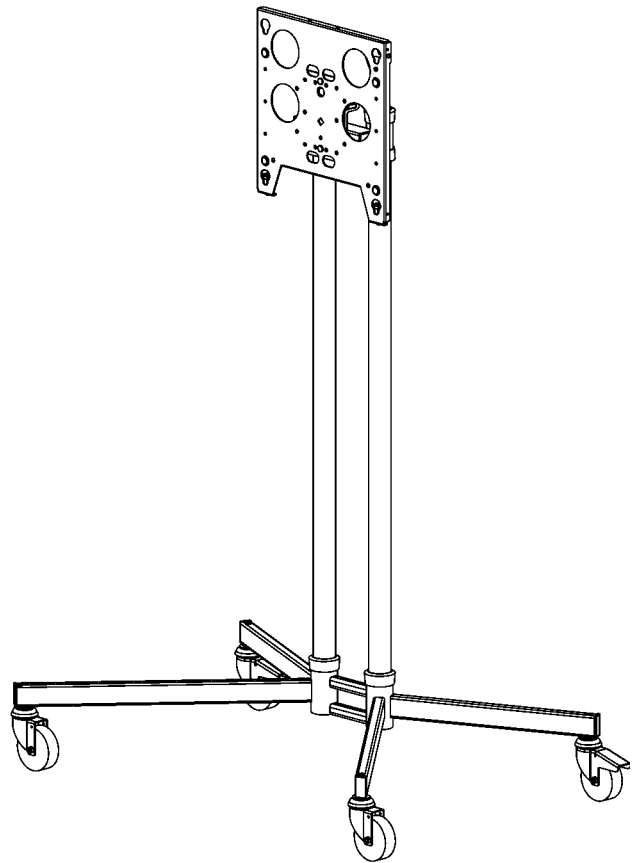
Mobile Cart for Flat Panel Display MSP-SPTC42 (PTC-2000 Series)

The Mobile Cart for Flat Panel Display is designed to assist the presenter in showrooms, boardrooms, and trade show exhibits. The mobile cart can handle displays that weigh up to 150 lbs. (68.04kg) while furnishing safe, stable support.

The cart base is constructed of rugged 1-inch x 2-inch steel tubing. Two of the four casters on the cart can be locked to prevent accidental movement.

The universal mounting plate is compatible with the PSB-2095 mounting bracket. The height adjustment settings on the cart facilitate optimum viewing.

The display can be installed using either the horizontal (landscape) or vertical (portrait) mounting format.



BEFORE YOU BEGIN

- **Caution:** To prevent damage to the mobile cart which could affect or void the Factory warranty, and to the equipment that will be attached to it, thoroughly study all instructions and illustrations before you begin the installation. Pay particular attention to the “Important Warnings and Cautions” on Page 2.
- The maximum weight to be installed on the PTC-2000 is 150 lbs. (68.04 kg).
- If you have any questions about this installation, contact Chief Manufacturing at 1-800-582-6480.



CHIEF MANUFACTURING INC.
1-800-582-6480 952-894-6280 FAX 952-894-6918
8401 EAGLE CREEK PARKWAY STE. 700
SAVAGE, MINNESOTA 55378 USA

PART NO. 8832-000100 (Rev. A)
©2005 Chief Manufacturing
www.chiefmfg.com
08/05



IMPORTANT WARNINGS AND CAUTIONS!

WARNING: A **WARNING** alerts you to the possibility of serious injury or death if you do not follow the instructions.

CAUTION: A **CAUTION** alerts you to the possibility of damage or destruction of equipment if you do not follow the corresponding instructions.

- **WARNING:** Do not attempt to mount the display onto the cart alone. Always mount the display using two people.
- **WARNING:** Always park the cart on a level surface. Two casters on the cart can be locked. The locking casters are not designed to hold the cart on an inclined surface.
- **WARNING:** Do not use the cart to transport your display on ramps or steep angles. The cart is designed to move on smooth, flat surfaces.
- **CAUTION:** Inspect the unit for shipping damage before you begin the installation.

CONTENTS

IMPORTANT WARNINGS AND CAUTIONS 2

TOOLS REQUIRED FOR INSTALLATION 3

INSPECT THE PARTS BEFORE ASSEMBLY 3

PARTS 4

ASSEMBLE CART 5

INSTALL PSB-2095 6

MOUNT THE DISPLAY 8

ADJUSTMENTS 8

 Adjust Pitch 8

 Adjust Yaw 8

TOOLS REQUIRED FOR INSTALLATION

- 7/16” and 9/16” wrench
- Allen wrench set
- Socket set with extension

NOTE: Other tools may be required depending on the method of installation.

INSPECT THE PARTS BEFORE ASSEMBLY

WARNING: Watch for pinch points. Do not put your fingers between movable parts.

1. Carefully inspect the mount for shipping damage. If any damage is apparent, call your carrier claims agent and do not continue with the installation until the carrier has reviewed the damage.

NOTE: Read all instructions before starting installation.

2. Lay out components to ensure you have all the required parts before your start the installation.

PARTS

Unpack the carton and verify the contents listed in Table 1 on page 4. If you are missing any of the listed parts, contact Customer Service at: 1-800-582-6480.

Table 1: Parts List

REF	DESCRIPTION	QTY
10	BASE	1
20	CASTER (2 locking, 2 non-locking)	4
30	POST, Chrome, 2-inch dia. (separate carton)	2
40	YOKE, Adjusting	1
50	SCREW, 1/4-20 x 7/8", Button Head Cap Screw	2
60	SCREW, Set, 5/16"-18 x 3/8"	8
70	WRENCH, Allen	1
80	Q-CLAMP	2

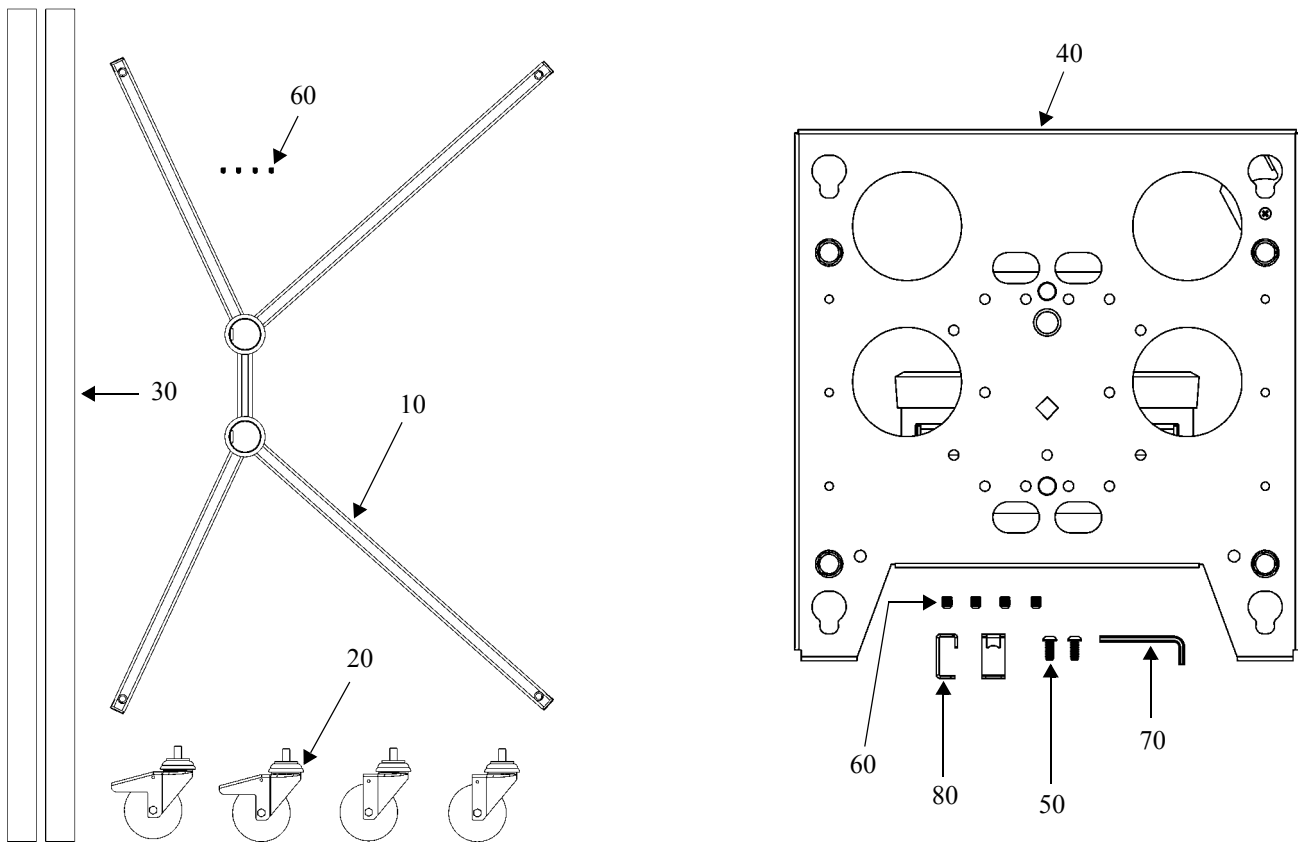


Figure 1. Mobile Cart Parts

ASSEMBLE CART

NOTE: Numbers in () refer to parts shown in Figure 1.

1. Place base (10) upside down. Thread the casters (20) into the base.
2. Place base (10) upright on casters (20). See Figure 2.
3. Install two 2" diameter chrome post (30) into double collar of base (10) and tighten four 5/16-18 set screws (60).
4. Determine approximate viewing height.
5. Slide adjusting yoke (40) onto posts (30). Secure the yoke at viewing height using four 5/16-18 set screws (60). See Figure 3.

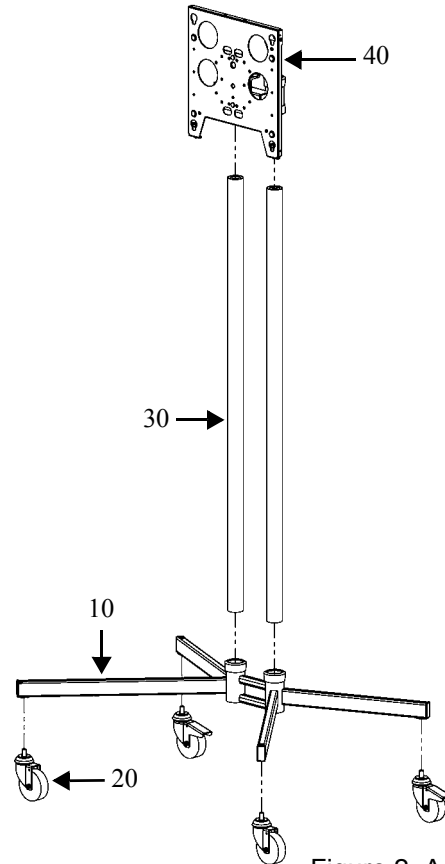


Figure 2. Assemble Cart

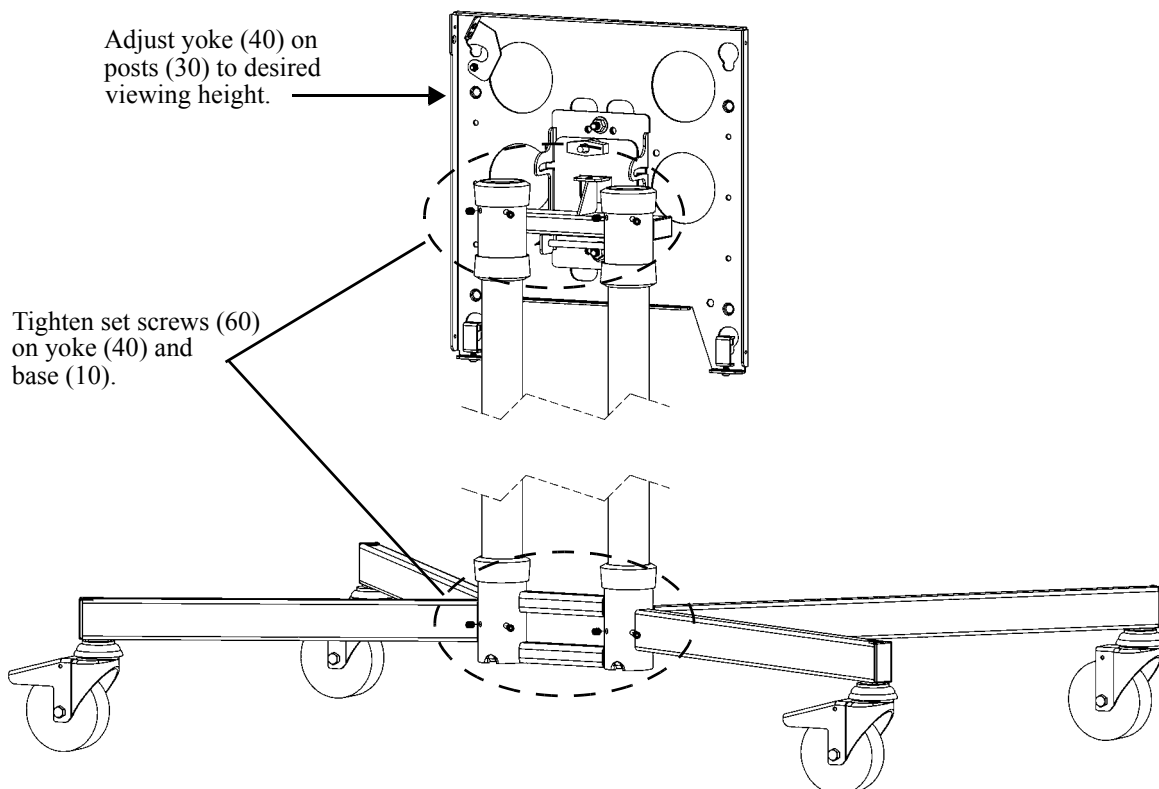


Figure 3. Tighten Set Screws

INSTALL PSB-2095

The PSB-2095 parts list is shown in the table on this page.

1. Using a 10-24 button head cap screw inserted from the backside of the bracket (see Figure 4), secure the mounting button with the chamfered hole of mounting button (larger surface) facing the bracket (see Figure 5).
2. Repeat Step 1 to install the other three mounting buttons.

REF	DESCRIPTION	QTY
10	Plasma Bracket	1
20	10-24 x 1/2 Button Head Cap Screw	4
30	M5 x 20mm Button Head Cap Screw	4
40	M6 x 20mm Button Head Cap Screw	4
50	Mounting Buttons – Tapped	4
60	1/8" Allen Key	1
70	.875 OD x .33 ID x .375 Nylon Spacer	4
80	M4 Allen Key	1

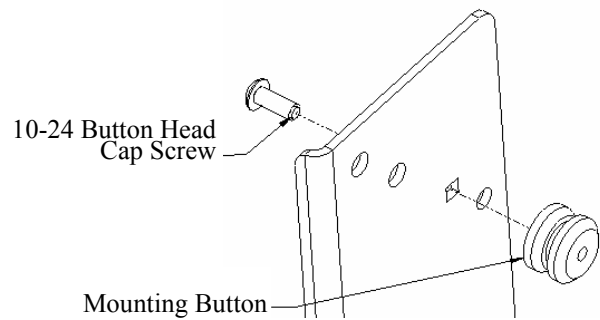


Figure 4. Mounting Button Attachment

Attach Mounting Buttons
Using These Holes

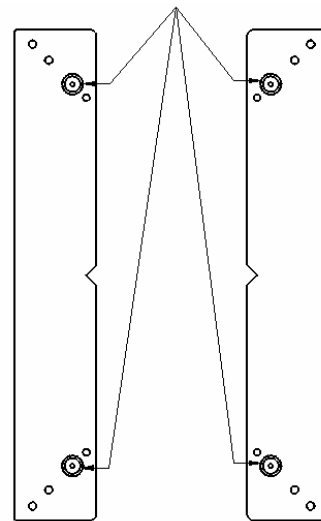


Figure 5. Mounting Button Location

INSTALL PSB-2095 (CONT'D)

3. Place nylon spacers over the mounting holes on the back of the screen (see Figure 6).
4. Attach mounting bracket to the display (see Figure 7), as follows:
 - a. For 32" screens, use the M5 screws.
 - b. For 42" and 50" screens, use the M6 screws.

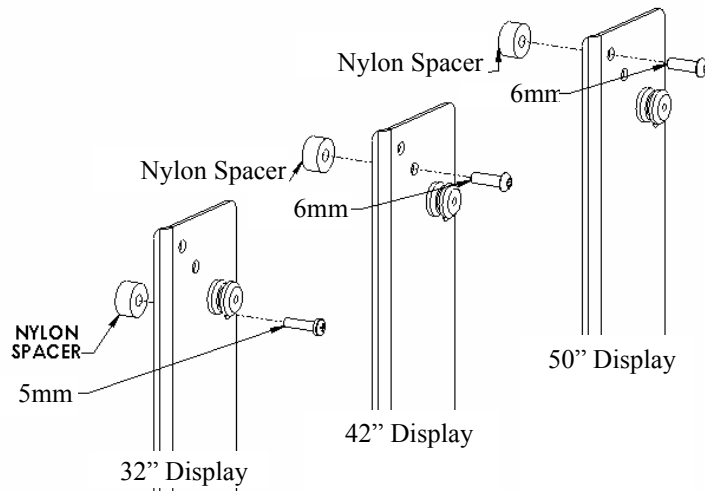


Figure 6. Bracket Hole Location

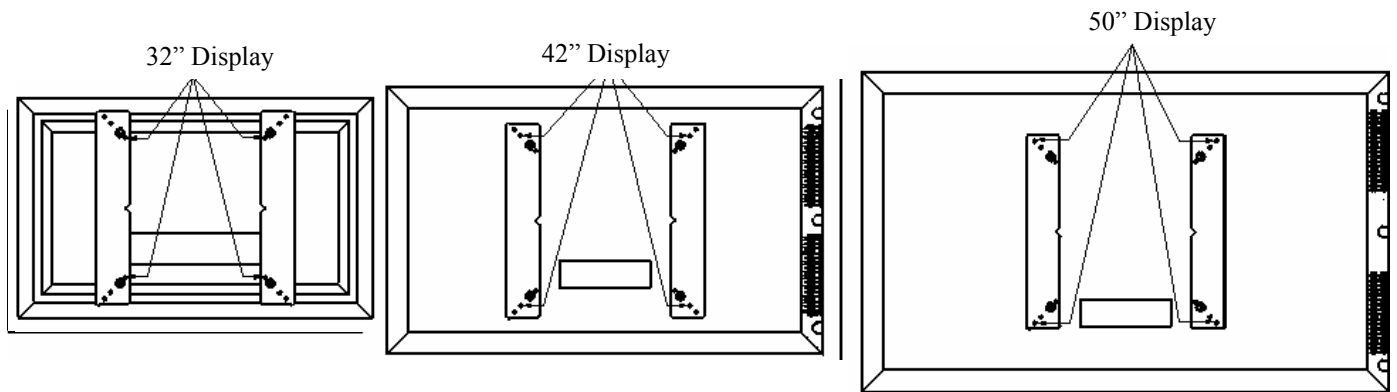


Figure 7. Bracket Attachment Location

MOUNT THE DISPLAY

1. Read and follow the PSB instructions for your application (display model).

WARNING: Do not attempt to mount the display onto the cart alone. Always use two people to mount the display.

2. With the cart rolled up against stable vertical surface, and one person supporting each side of the display, align the four mounting buttons with the four teardrop slots in the face plate.
3. Secure the display by completely engaging the latching flag over the mounting button (see Figure 8).
4. Lock the display in place by installing two Q-clamps (80) on each side of the face plate (see Figure 8).

NOTE: For more information, refer to Q-Clamp Instructions, PAC-140.

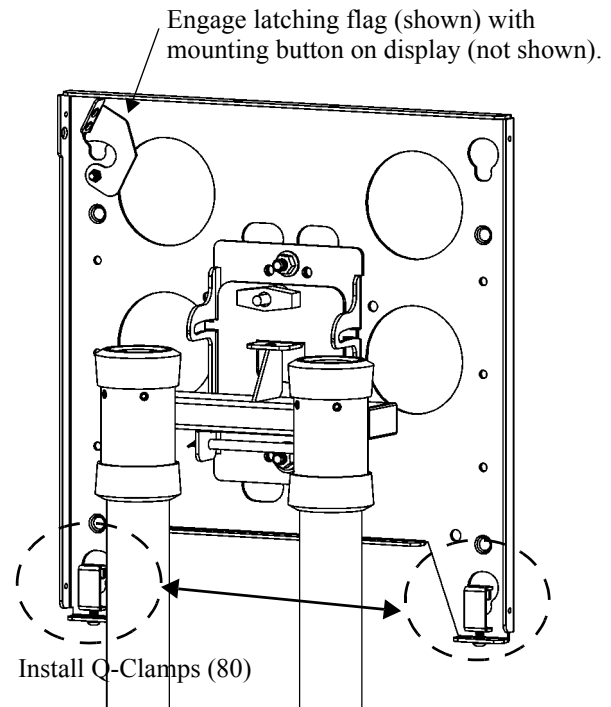


Figure 8. Engage Latching Flag and Install Q-Clamps

ADJUSTMENTS

Adjust Pitch

1. Adjust pitch as follows:
 - a. Adjust pitch downward by turning the T-knob counterclockwise. For T-knob location, see Figure 9.
 - b. Adjust pitch upward by turning the T-knob clockwise.

Adjust Yaw

1. Loosen two nuts on back of mounting plate (see Figure 10).
2. Level display.
3. Tighten two nuts (see Figure 10).

NOTE: Cart may be rolled around by releasing the caster brake and moving the cart to the desired location.

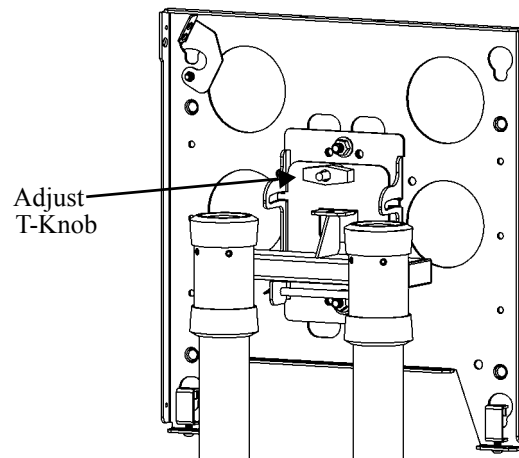


Figure 9. Adjust Pitch

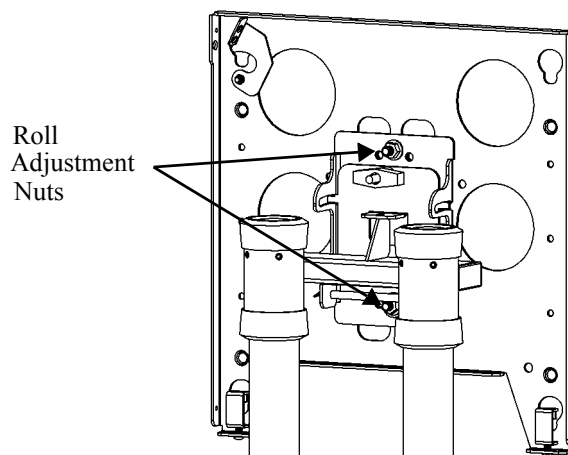


Figure 10. Adjust Yaw