
INSTALLATION INSTRUCTIONS

Flat Panel Static Wall Mount MSP-SS (GSM-210)

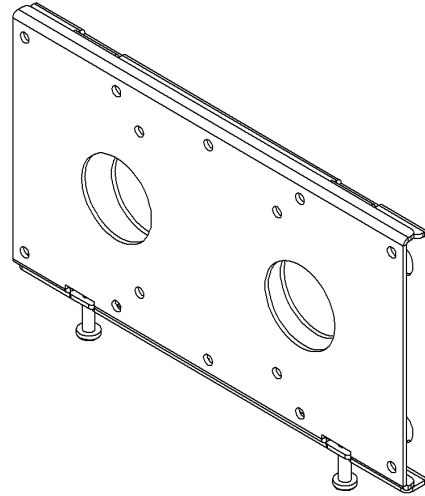
The static wall mount fits most 23" to 30" displays.

The mount was designed to adapt to the VESA® 75mm/100mm, 100mm/100mm, and 200mm/100mm compliant displays.

The mount is supplied with two bracket adapters that are designed to support VESA 200mm/200mm compliant displays.

The mount allows the user to mount the display in a fixed position on the wall. The maximum load capacity of the mount is 45 lbs. (20.4kg).

The mount is locked into position on the mount for added safety and security. The display can only be removed from the wall bracket when the mount is unlocked.



MSP-SS

BEFORE YOU BEGIN

- **CAUTION:** To prevent damage to your display, which could affect or void the Factory warranty, thoroughly study all instructions and illustrations before you begin to install the mount brackets. Pay particular attention to the "Important Warnings and Cautions" on Page 2.
- If you have any questions about this installation, contact Chief Manufacturing at 1-800-582-6480 or 952-582-6480.

IMPORTANT WARNINGS and CAUTIONS!

WARNING	A WARNING alerts you to the possibility of serious injury or death if you do not follow the instructions.
CAUTION	A CAUTION alerts you to the possibility of damage or destruction of equipment if you do not follow the corresponding instructions.
WARNING	Improper installation can result in serious personal injury! Make sure that the mounting surface can support a redundant weight factor <i>five times</i> the total weight of the equipment. If not, reinforce the mounting surface structural members before installing the mount.
WARNING	Be aware of the potential for personal injury or damage to the unit if it is not adequately mounted.
WARNING	The installer is responsible for verifying that the mounting surface to which the mount is anchored will safely support the combined load of all attached components or other equipment.
WARNING	Weight Specifications (see Table 1).
WARNING	Watch for pinch points. Do not put your fingers between movable parts.
WARNING	Make sure the mount is correctly oriented.
CAUTION	Check the unit for shipping damage before you begin the installation.
CAUTION	If your monitor uses a longer screw size other than those included in the kit, <u>DO NOT</u> use the screws provided with the mount. Use the screws provided with your monitor or contact the manufacturer. Using the wrong screws could result in damage to your monitor.

WEIGHT SPECIFICATIONS

Table 1 contains the weight specifications for the various static mount VESA configurations.

Table 1. Weight Specifications

VESA HOLE PATTERN	4-HOLE	6-HOLE	FLUSH MOUNT	RECESSED MOUNT	MAX SUPPORT WEIGHT
75MM X 75MM	X		X	X	45 LBS. (20.4KG)
100MM X 100MM	X		X	X	45 LBS. (20.4KG)
200MM X 100MM		X	X	X	45 LBS. (20.4KG)
200MM X 200MM	X		X		45 LBS. (20.4KG)

CONTENTS

WEIGHT SPECIFICATIONS.....2
 TOOLS REQUIRED FOR INSTALLATION.....3
 STATIC MOUNT KIT.....4
 Static Mount Without Bracket Adapters.....5
 Static Mount With Bracket Adapters.....5
 INSTALLATION.....6
 Installing the Wall Bracket (Step 1)6
 Installing the Locking Screws onto the VESA
 Bracket (Step 2).....7
 Installing short locking screws7
 Installing long locking screws with spacers7
 Attaching the VESA Bracket to the Display (Step 3)..8
 Flush Mount (Without Bracket Adapter).....8
 Recessed Mount9
 Flush Mount (With Bracket Adapter).....10
 Mounting the Display (Step 4)11
 Cable Hook-up (Step 5).....11
 Locking the Display on the Wall Bracket (Step 6).....11

TOOLS REQUIRED FOR INSTALLATION

- Phillips screwdriver
- Drill and drill bits

NOTE: Other tools may be required depending on your method of installation.

STATIC MOUNT KIT

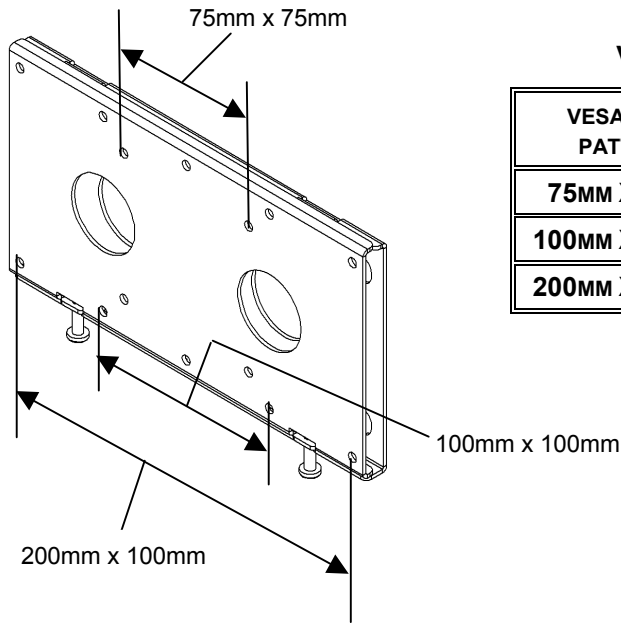
Unpack the carton. Verify the kit contents shown in Table 2. Read installation instructions completely. If you are missing any of the listed components, please contact Customer Service at 1-800/582-6480.

Table 2. Static Mount Kit

ITEM NUMBER	DESCRIPTION	QTY	NOTES
10	BRKT, VESA STATIC INTERFACE	1	
20	BRKT, WALL STATIC MOUNT	1	
30	PHILLIPS HEAD WOOD SCREW, 2-1/2"	2	SINGLE STUD MOUNTED
40	PHILLIPS PAN HEAD MACHINE SCREW, M5 x 16MM	2	USED FOR LOCKING
50	PHILLIPS PAN HEAD MACHINE SCREW, M5 x 80MM	2	
60	1-1/4" NYLON SPACER	4	
70	PHILLIPS PAN HEAD MACHINE SCREW, M4 x 12MM OR	6	FLUSH MOUNT
	PHILLIPS PAN HEAD MACHINE SCREW, M4 x 12MM OR	4	200MM x 200MM MOUNT
	PHILLIPS PAN HEAD MACHINE SCREW, M4 x 12MM (USE WITH 80)*	6	RECESSED MOUNT
80	1/8" NYLON SPACER	6	
90	PHILLIPS PAN HEAD MACHINE SCREW, M4 x 20MM (USE WITH 100) **	6	
100	3/8" NYLON SPACER	6	
110	PHILLIPS PAN HEAD MACHINE SCREW, M4 x 30MM (USE WITH 120) ***	6	
120	3/4" NYLON SPACER	6	
130	BRACKET ADAPTER	2	200MM x 200MM MOUNT
140	WASHER, M4	4	
150	PHILLIPS PAN HEAD MACHINE SCREW, M6 x 10MM	4	
160	PHILLIPS PAN HEAD MACHINE SCREW, M4 x 5MM	4	

- *Use M4 x 12mm screws (70) with spacers (80) for recessed mount applications.
- **Use M4 x 20mm screws (90) with spacers (100) for recessed mount applications.
- ***Use M4 x 30mm screws (110) with spacers (120) for recessed mount applications.

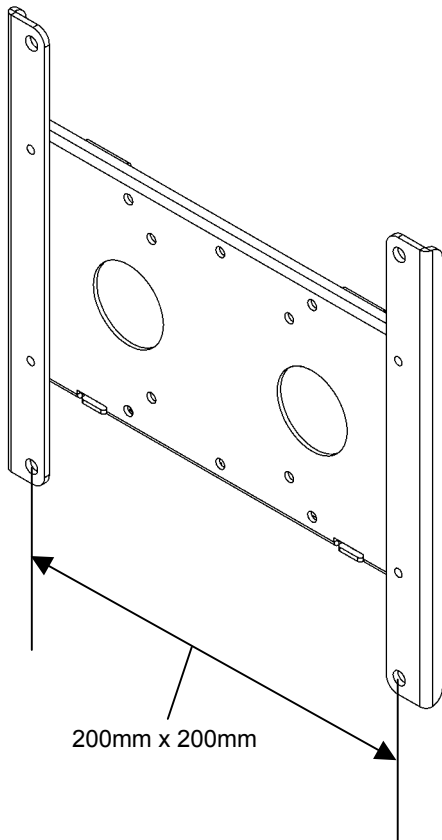
Static Mount Without Bracket Adapters



VESA CHART (WITHOUT BRACKET ADAPTERS)

VESA HOLE PATTERN	4-HOLE	6-HOLE	FLUSH MOUNT	RECESSED MOUNT
75MM X 75MM	X		X	X
100MM X 100MM	X		X	X
200MM X 100MM		X	X	X

Static Mount With Bracket Adapters



VESA CHART (WITH BRACKET ADAPTERS)

VESA HOLE PATTERN	4-HOLE	FLUSH MOUNT
200MM X 200MM	X	X

INSTALLATION

The following procedures describe how to install the tilt mount.

NOTE: Read “Warnings and Cautions” on Page 2.

Installing the Wall Bracket (Step 1)

Install the wall bracket on a wall stud, as follows:

1. Determine the exact mounting location prior to installation, considering screen size as well as the mount swing and extension radius.
 2. Position the wall bracket (20) as desired (see Figure 1).
- NOTE:** Mark the mounting holes as accurately as possible before drilling the holes. The holes must be centered for the wall bracket to fit correctly on the wall.
3. Locate stud and, using wall bracket (20) as a template at the desired height, mark the location of the two center mounting holes.
 4. Using the two wood screws (30), secure wall bracket (20) to wall.

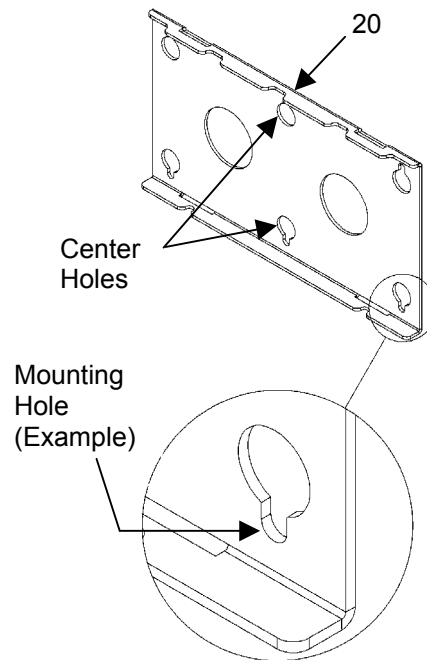


Figure 1. Installing Wall Bracket — Wall Stud

Installing the Locking Screws onto the VESA Bracket (Step 2)

NOTE: The locking screws can be attached to the VESA bracket before the bracket is hung on the wall. Select one of the following options, depending on the type of installation you want.

- To install short locking screws, use two M5 x 16mm screws (40). No spacers are needed. Refer to Figure 2.
- To install long locking screws, use two M5 x 80mm screws (50) and four 1-1/4 inch spacers (60). Refer to Figure 3.

Installing short locking screws

1. Locate VESA bracket (10) and two M5 x 16mm screws (40) provided with the kit contents (see Figure 2).
2. Insert the two screws (40) into the threaded holes at the bottom of the VESA bracket (10). Turn the screws just enough to remain threaded in the holes. The screws will be tightened later.

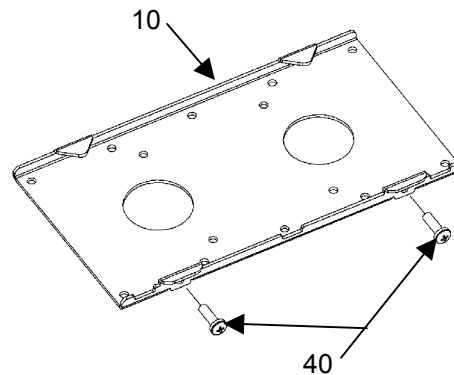


Figure 2. Installing Short Locking Screws

Installing long locking screws with spacers

1. Locate VESA bracket (10), two spacers (60), and two M5 x 80mm screws (50) provided with the kit contents (see Figure 3).
2. Install two spacers (60) on each of the two screws (50).
3. Insert the two screws into the threaded holes at the bottom of the VESA bracket (10). Turn the screws just enough to remain threaded in the holes. The screws will be tightened later.

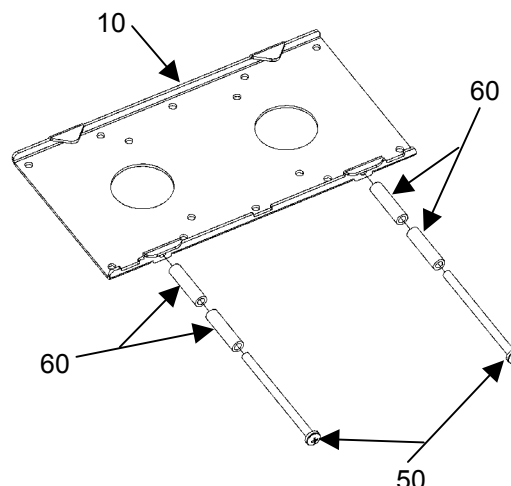


Figure 3. Installing Long Locking Screws with Spacers

Attaching the VESA Bracket to the Display (Step 3)

Depending on the VESA hole-pattern on your display, select the applicable set of instructions, listed below, to attach the VESA bracket to your display:

- Flush Mount (Without Bracket Adapter)
 - 75mm/75mm compliant displays
 - 100mm/100mm compliant displays
 - 200mm/100mm compliant displays
- Recessed Mount (spacers are used)
 - 75mm/75mm compliant displays
 - 100mm/100mm compliant displays
 - 200mm/100mm compliant displays
- Flush Mount (With Bracket Adapter)
 - 200mm/200mm compliant displays

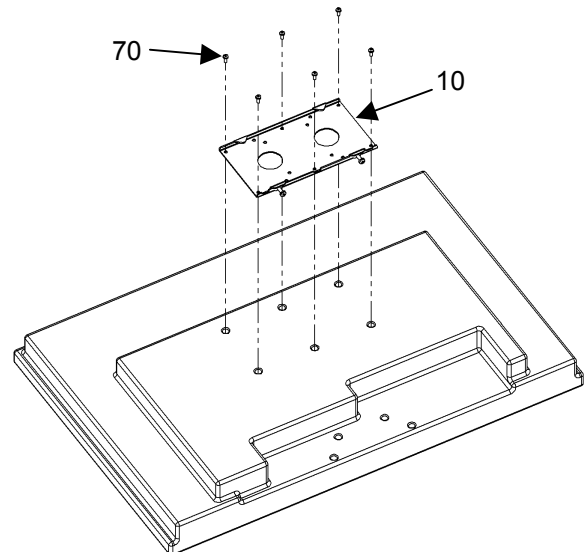
CAUTION:

If monitor uses a screw size other than those included in the kit, DO NOT use the screws provided. Using the wrong screws could result in damage to your monitor.

Flush Mount (Without Bracket Adapter)

To attach the VESA bracket using the recessed mount procedure, do the following:

1. Place the VESA bracket (10) on the display.
2. Align the hole-pattern of your display with the hole-pattern on the VESA bracket (10).
3. Attach VESA bracket (10) to the display using six M4 X 12mm screws (70) provided.



**Figure 4. Flush Mount
200mm/100mm Display (shown)**

Recessed Mount

To attach the VESA bracket using the recessed mount procedure, do the following:

1. Refer to the applicable table (listed below) and select six screws and six spacers.
 - See to Table 3 for 75mm/100mm and 100mm/100mm compliant displays.
 - See Table 4 for 200mm/100mm compliant displays.
2. Select option 1, 2, or 3 to pick the applicable screw and spacer combination.
3. Set six spacers over the four mounting holes on your monitor (see Figure 5).
4. Set VESA interface bracket (10) on top of spacers and install six screws into the mounting holes of your display.

NOTE:
For additional information, see VESA Chart, page 5

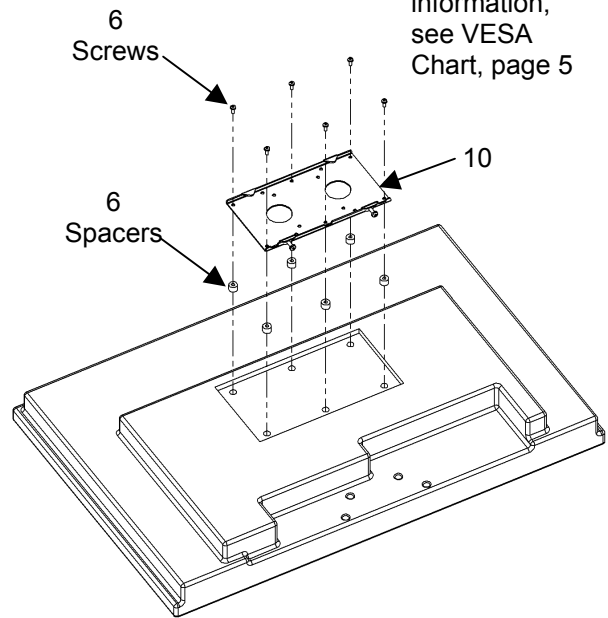


Table 3. 75mm/75mm and 100mm /100mm Compliant Displays

OPTION	SCREW	QTY	SPACER	QTY
1	70	4	80	4
2	90	4	100	4
3	70	4	110	4

Figure 5. Recessed Mount 200mm/100mm Display (shown)

Table 4. 200mm/100mm Compliant Displays

OPTION	SCREW	QTY	SPACER	QTY
1	70	6	80	6
2	90	6	100	6
3	70	6	110	6

Flush Mount (With Bracket Adapter)

To attach the VESA bracket using the recessed mount procedure, do the following:

1. Select the two bracket adapters (130), four washers (140), and four screws (refer to the Table 5) that will be used to install the VESA bracket for 200mm/200mm compliant displays.
2. Align the two bracket adapters (130) with the 200mm/200mm hole-pattern of your display.
3. To attach the two bracket adapters (130) to your display, use one of the following options:
 - a. Four M6 X 10mm screws (150). Or,
 - b. Four M4 X 12mm screws (70) and four M4 washers (140).
4. Place the VESA bracket (10) on the two bracket adapters (130).
5. Align the VESA bracket (10) with the hole-pattern on the two bracket adapters (130).
6. Attach VESA bracket (10) to the two bracket adapters (130) using four M4 X 5mm screws (160).
7. Tighten (do not over-tighten) the screws.

Table 5. 200mm /200mm Compliant Displays

ITEM	DESCRIPTION	QTY	NOTES
130	BRACKET ADAPTER	2	2
140	WASHER, M4 (USE WITH 70)	4	4
150	PHILLIPS SCREW, M6 X 10MM	4	BRACKET ADAPTER TO DISPLAY
70	PHILLIPS SCREW, M4 X 12MM	4	
160	PHILLIPS SCREW, M4 X 5MM	4	VESA BRACKET TO BRACKET ADAPTER

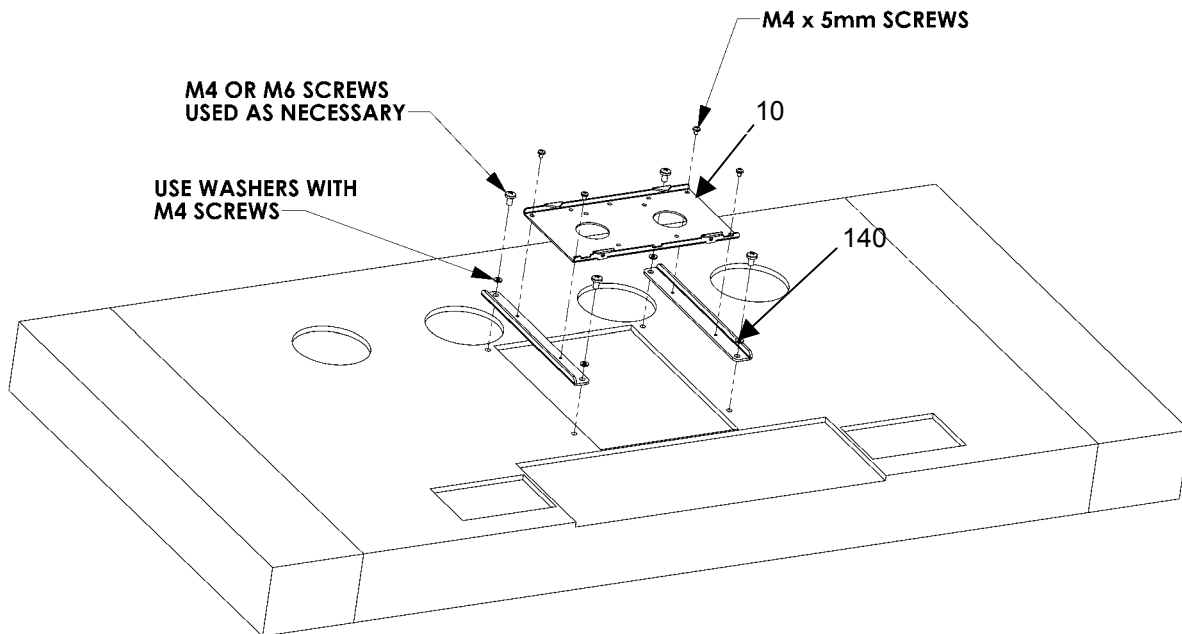


Figure 6. Flush Mount — 200mm x 200mm Compliant Displays

Mounting the Display (Step 4)

With the aid of another person (if necessary), mount the display as follows:

1. Start the display, with VESA bracket (10) attached, slightly higher than the wall plate (20) to ensure that the tabs of the VESA bracket (10) can line up with the slots on the wall plate (20) (see Figure 7).
2. Push the display towards the wall and drop down towards the wall plate (20) slots for secure fit.

NOTE: Leave the bottom two tabs unlatched at this point in the procedure. The tabs will be latched and secured in place later. For reference, see Step 5 for cable access.

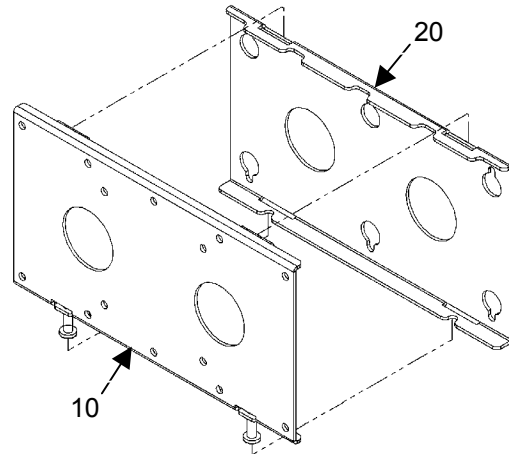


Figure 7. Assemble the Brackets

Cable Hook-up (Step 5)

Connect cables to the display as follows:

1. To allow for greater space between the wall and your display: allow the display to hang from the two top tabs with the bottom tabs free to move. This allows for easier access to hook-up all cables.

NOTE: This is not considered the “home” position and should only be used to allow for cable access.

2. Connect cables to the display.
3. After all cables are secure, make sure that all four tabs are securely seated and the two locking screws (40 or 50) are tightened (see Step 6).

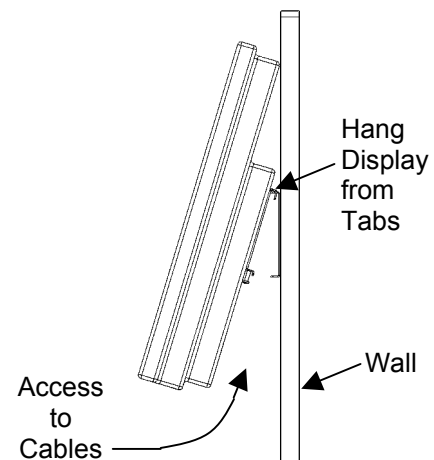


Figure 8. Cable Hook-up — Side View

Locking the Display on the Wall Bracket (Step 6)

1. Check to ensure that all four tabs are securely seated on the wall bracket. You should not be able to pull any part of the display towards you if the bracket is secure.
2. Tighten the two locking screws (40 or 50). See Figure 9.

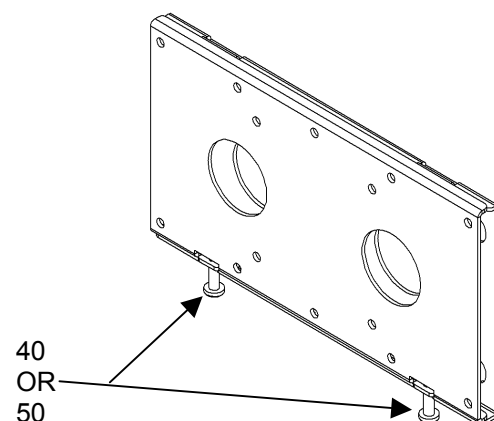


Figure 9. Carefully Tighten Locking Screws

